



# Current-compensated Noise Suppression Chokes

These chokes are made with high-permeability core (ferrite). They are mainly used in devices equipped with switched-mode power supplies, and in filters designed to prevent both the spread of parasitic noise within the device, and the effects of line noise on the device itself.

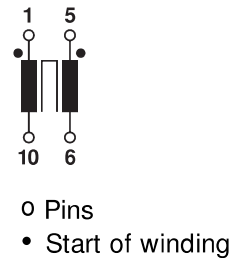
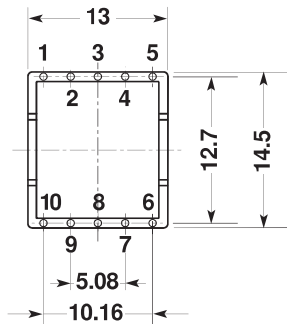
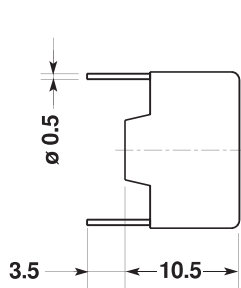
The chokes are designed and tested in accordance with EN 138100; EN 60938-1. The cases are of flame-retardant plastic material in accordance with UL 94V-0.

## Technical Data

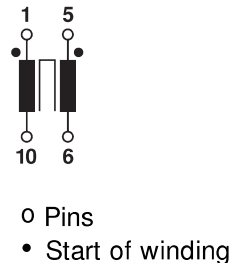
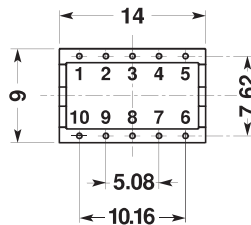
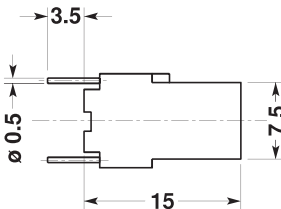
Rated inductance:	at +20°C; 10 kHz, 0.1 mA	Testing voltage:	1500V-50Hz, 2 sec
Inductance tolerance:	+50 -30%	Climatic category:	DIN GKC (-40 +125°C)
Rated current:	at 250V-50 Hz; +60°C a.t.		

## CASE VERSION

Dimensions in mm  
Pins are tinned



**42H14** Packing: 228 pcs



**42V15** Packing: 306 pcs

## Stock Types

Toroid Core

Horizontal mounting	Vertical mounting	Rated current A	Rated inductance mH	DCR typical m Ω
42H14 03 04	42V15 03 04	0.3	12	650
42H14 03 06	42V15 03 06	0.3	18	1000
42H14 05 02	42V15 05 02	0.5	2.2	140
42H14 06 00	42V15 06 00	0.6	4.4	220
42H14 10 01	42V15 10 01	1	1	60
42H14 10 02	42V15 10 02	1	3	150
42H14 20 00	42V15 20 00	2	1.1	70

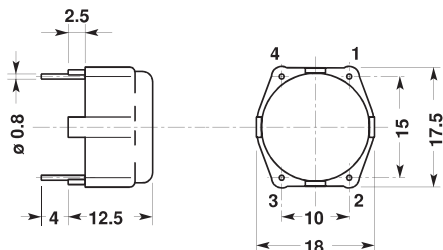
Values per winding  
Approx. weight 3 g

For other technical specifications please visit the internet site  
[www.radiohm.com](http://www.radiohm.com) >>Products >>Chokes & Transformers >>Current Compensated Chokes



# Current-compensated Noise Suppression Chokes

## CASE VERSION



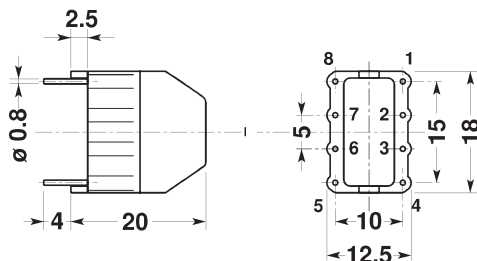
0 Pins

- Start of winding



42H17 Packing: 135 pcs

Dimensions in mm  
Pins are tinned



0 Pins

- Start of winding



42V20 Packing: 361 pcs

## Stock Types

Toroid Core

Horizontal mounting	Vertical mounting	Rated current A	Rated inductance mH	DCR typical m Ω	Approval
42H17 04 00	42V20 04 00	0.4	39	2600	
42H17 04 01	42V20 04 01	0.4	27	1000	
42H17 05 00	42V20 05 00	0.5	18	940	
42H17 07 00	42V20 07 00	0.7	10	360	
42H17 10 00	42V20 10 00	1	6.8	400	
42H17 10 02	42V20 10 02	1	4.7	260	
42H17 12 00	42V20 12 00	1.2	6.8	330	
42H17 20 00	42V20 20 00	2	3.9	125	
42H17 20 02	42V20 20 02	2	1	40	
42H17 25 00	42V20 25 00	2.5	2.7	75	
42H17 26 00	42V20 26 00	2.6	0.4	60	
42H17 30 00	42V20 30 00	3	1	50	
42H17 36 00	42V20 36 00	3.6	0.4	15	

Technical data and applications p. 2.

Values per winding  
Approx. weight 10 g

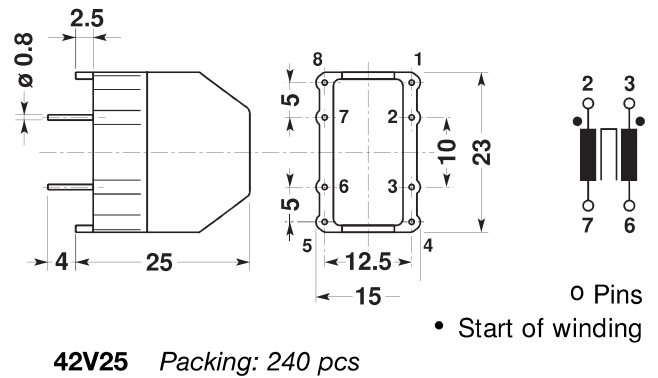
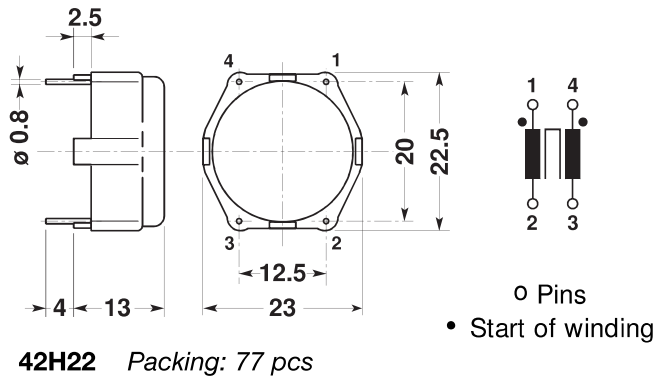
For other technical specifications please visit the internet site  
[www.radiohm.com](http://www.radiohm.com) >>Products >>Chokes & Transformers >>Current Compensated Chokes



# Current-compensated Noise Suppression Chokes

## CASE VERSION

Dimensions in mm  
Pins are tinned

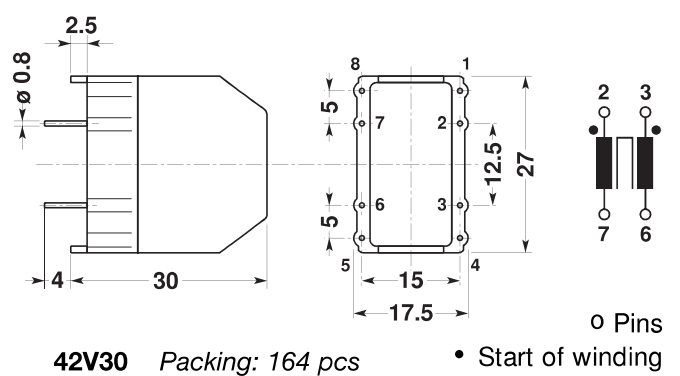
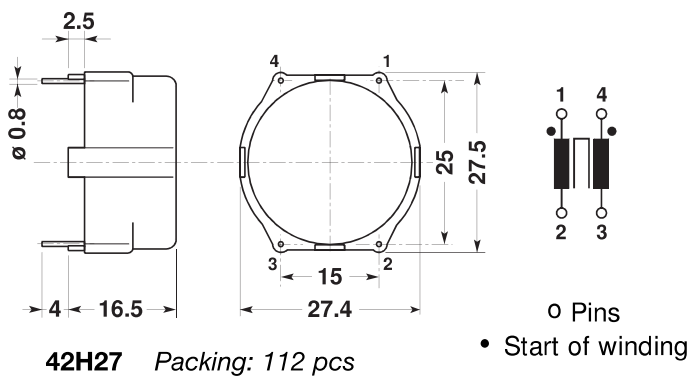


## Stock Types

Toroid Core

Horizontal mounting	Vertical mounting	Rated current A	Rated inductance mH	DCR typical mΩ	Approval
42H22 03 00	42V25 03 00	0.3	47	1400	 VDE
42H22 05 00	42V25 05 00	0.5	27	900	
42H22 10 00	42V25 10 00	1	10	450	
42H22 20 00	42V25 20 00	2	2.2	70	
42H22 30 00	42V25 30 00	3	1.2	70	

Values per winding  
Approx. weight 12 g



## Stock Types

Toroid Core

Horizontal mounting	Vertical mounting	Rated current A	Rated inductance mH	DCR typical mΩ	Approval
42H27 05 00	42V30 05 00	0.5	56	2000	 VDE
42H27 10 00	42V30 10 00	1	27	600	
42H27 20 00	42V30 20 00	2	5.6	170	
42H27 40 00	42V30 40 00	4	2.7	45	

Technical data and applications p. 2.

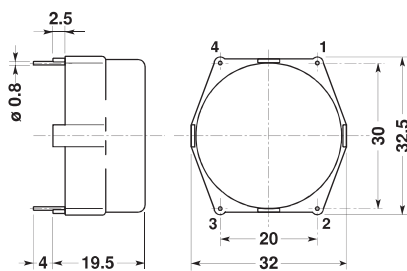
Values per winding  
Approx. weight 16 g

For other technical specifications please visit the internet site  
[www.radiohm.com](http://www.radiohm.com) >>Products >>Chokes & Transformers >>Current Compensated Chokes



# Current-compensated Noise Suppression Chokes

## CASE VERSION

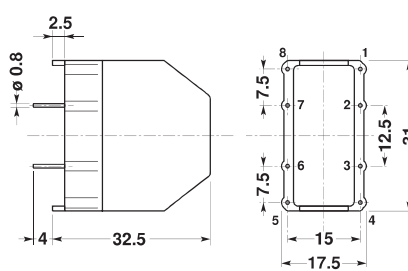


**42H32** Packing: 84 pcs



0 Pins

- Start of winding



**42V32** Packing: 143 pcs



0 Pins

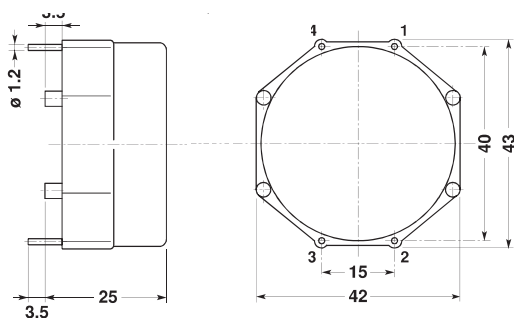
- Start of winding

## Stock Types

Toroid Core

Horizontal mounting	Vertical mounting	Rated current A	Rated inductance mH	DCR typical m Ω	Approval
42H32 05 00	42V32 05 00	0.5	100	1500	 VDE
42H32 10 00	42V32 10 00	1	47	750	
42H32 15 00	42V32 15 00	1.5	22	330	
42H32 20 00	42V32 20 00	2	6.8	139	
42H32 40 01		4	3.9	61	
	42V32 40 01	4	3.9	80	
42H32 60 00		6	1.8	25	
	42V32 60 00	6	1.8	38	

Values per winding  
Approx. weight 28 g



Dimensions in mm  
Pins are tinned



0 Pins

- Start of winding

**42H42**  
Packing: 40 pcs



## Stock Types

Toroid Core

Horizontal mounting	Rated current A	Rated inductance mH	DCR typical m Ω	Approval
42H42 10 00	1	68	1000	 VDE
42H42 20 00	2	18	230	
42H42 40 00	4	6.8	60	
42H42 60 00	6	3.9	38	
42H42 80 00	8	2.7	22	
42H42 A0 00	10	1.8	14	

Technical data and applications p. 2.

Values per winding  
Approx. weight 63 g

For other technical specifications please visit the internet site  
[www.radiohm.com](http://www.radiohm.com) >>Products >>Chokes & Transformers >>Current Compensated Chokes