

IEC Appliance Inlet C14 with Line Switch 1-pole



Snap-in version



**Description**

- Panel Mount :
- Snap-in version , from front side , Appliance Inlet , Protection class I , Line Switch 1-pole
- Solder terminals or quick connect terminals

**Approvals**

- VDE Certificate Number: 40017874
- UL File Number: E88880
- CSA File Number: 1084381

**Characteristics**

- Line switch non-illuminated

**References**

Alternative: with 1- or 2-pole switch illuminated [DC11](#)  
Last order date: 30.06.2017  
Last delivery date: 30.09.2017

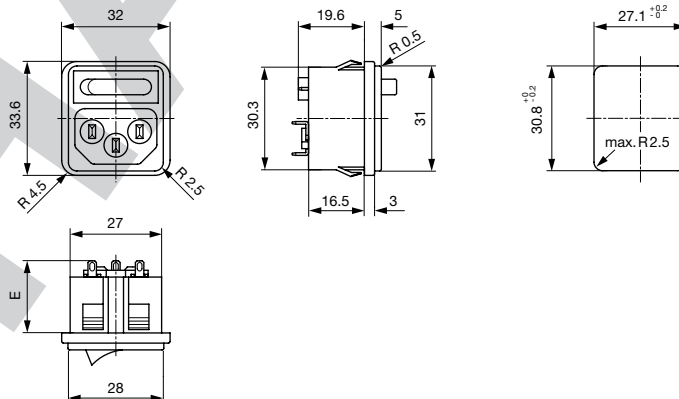
**Weblinks**

[pdf datasheet](#), [html-datasheet](#), [General Product Information](#), [RoHS](#), [CHINA-RoHS](#), [REACH](#), [Distributor-Stock-Check](#), [Accessories](#), [Detailed request for product](#)

**Technical Data**

Ratings IEC	10A / 250VAC; 50Hz	appliance inlet/-outlet	C14 acc. to IEC 60320-1
Ratings UL/CSA	6A / 250VAC; 60Hz		UL 498, CSA C22.2 no. 42 (for cold conditions) pin-temperature 70 °C, 10A, Protection Class I
Dielectric Strength	> 3kVAC between L-N > 1.5kVAC between L/N-PE (1 min/50Hz)	Line Switch	Rocker switch 1-pole, non-illuminated black, acc. to IEC 61058-1 <a href="#">Technical Details</a>
Allowable Operation Temp.	-25 °C to 70 °C		
IP-Protection	from front side IP 20 acc. to IEC 60529		
Insulation cover	Suitable for appliances with protection class I acc. to IEC 61140		
Terminal	Solder terminals or quick connect terminals		
Panel Thickness s	Snap-in 1.0 - 2.5 mm		
Material: Housing	PA6, black, UL 94V-0		

**Dimensions**



- E: Quick-connect terminals 4.8x0.8 mm: 26.4 mm
- E: Quick-connect terminals 6.3x0.8 mm: 27.4 mm
- E: Solder terminals short: 22.0 mm
- E: Solder terminals long: 25.6 mm

## Config. Code

1074 - H - ABCN - D - EGOP

The characters are placeholders for the correspondingly keys of selections from the key tables.

1074 - **H** - ABCN - D - EGOP = Type

Type	Configuration key
protection class I	X

1074 - H - **A** BCN - D - EGOP = Terminals

Terminal L	Configuration key
short solder terminal (L = 4.8 mm)	2
long solder terminal (L = 8.5 mm)	3
Blade terminal (4.8 x 0.8 mm)	8
Blade terminal (6.3 x 0.8 mm)	9

1074 - H - A **B** CN - D - EGOP = Terminals

Terminal N	Configuration key
short solder terminal (L = 4.8 mm)	2
long solder terminal (L = 8.5 mm)	3
Blade terminal (4.8 x 0.8 mm)	8
Blade terminal (6.3 x 0.8 mm)	9

Symbols similar as in table A

1074 - H - AB **C** N - D - EGOP = Terminals

Terminal Ground	Configuration key
short solder terminal (L = 4.8 mm)	2
long solder terminal (L = 8.5 mm)	3
Blade terminal (4.8 x 0.8 mm)	8
Blade terminal (6.3 x 0.8 mm)	9

Symbols similar as in table A

1074 - H - ABC **N** - D - EGOP = Terminal Fuseholder

Terminal Fuseholder	Configuration key
without terminal	0

1074 - H - ABCN - **D** - EGOP = Color

Color	Configuration key
Black	A

1074 - H - ABCN - D - **E** GOP = Style

Style	Configuration key
snap-in standard type	3

1074 - H - ABCN - D - E **G** OP = Mass S

Mass "s"	Configuration key
00	
The dimension "S" is displayed in ( $1/_{10}$ mm). This information is also valid for the order code	

1074 - H - ABCN - D - EG **O** P = Features

Features	Configuration key
not used	0

1074 - H - ABCN - D - EGOP = Switches

Switches	Configuration key
unipolar switch, 4,8mm blade terminal, black rocker	2

## All Variants

Type	Terminal L	Terminal N	Terminal Ground	Features	Switches	Config. Code	V-Lock	Order Number
protection class I	short solder terminal (L = 4.8 mm)	short solder terminal (L = 4.8 mm)	short solder terminal (L = 4.8 mm)	not used	unipolar switch, 4,8mm blade terminal, black rocker	1074-X-2220-A-30002		4304.6040
protection class I	Blade terminal (4.8 x 0.8 mm)	Blade terminal (4.8 x 0.8 mm)	Blade terminal (4.8 x 0.8 mm)	not used	unipolar switch, 4,8mm blade terminal, black rocker	1074-X-8880-A-30002		4304.6041
protection class I	Blade terminal (6.3 x 0.8 mm)	Blade terminal (6.3 x 0.8 mm)	Blade terminal (6.3 x 0.8 mm)	not used	unipolar switch, 4,8mm blade terminal, black rocker	1074-X-9990-A-30002		4304.6042

The listed variants should be available from stock. Other versions on request [www.schurter.com/contact](http://www.schurter.com/contact)

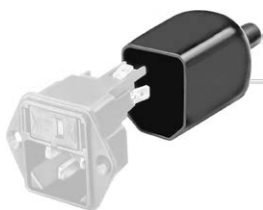
Type	Terminal L	Terminal N	Terminal Ground	Features	Switches	Config. Code	V-Lock	Order Number
------	------------	------------	-----------------	----------	----------	--------------	--------	--------------

Availability for all products can be searched real-time: <http://www.schurter.com/Stock-Check/Stock-Check-SCHURTER>

**Packaging unit** 50 Pcs

**Accessories**

**Description**



Assorted Covers  
Rear Cover

**Mating Outlets/Connectors**

**Category / Description**

[Connector Overview complete](#)



4782 Mounting: Power Cord, 3 x 1 mm <sup>2</sup> / 3 x 18 AWG, Cable, Connector: IEC C13	4782
4022 Mounting: Power Supply Cord, 3 x 1.5 mm <sup>2</sup> , Screw clamps, Connector: IEC C13	4022
4785 Mounting: Power Cord, 3 x 1 mm <sup>2</sup> / 3 x 18 AWG, Cable, Connector: IEC C13	4785
4300-06 Mounting: Power Cord, 3 x 1 mm <sup>2</sup> / 3 x 18 AWG, Cable, Connector: IEC C13	4300-06
4012 Mounting: Power Supply Cord, 3 x 1.5 mm <sup>2</sup> , Screw clamps, Connector: IEC C13	4012
<a href="#">Connector further types to 1074</a>	...

[Interconnection Cord Overview complete](#)



Cord Sets 10 A, Interconnection, 2.0 m, IEC H05VV-F3G1.0, black	6007.0204
Cord Sets 10 A, Interconnection, 1.0 m, Connector IEC C13, H05VV-F3G1.0, black	6007.0212
Cord Sets 10 A, Interconnection, 2.0 m, Connector IEC C13, H05VV-F3G1.0, black	6007.0214
<a href="#">Interconnection Cord further types to 1074</a>	...

[Power Supply Cord Overview complete](#)



Cord Sets 10 A, Europlug, 2.5 m, Connector IEC C13, H05VV-F3G1.0, black	6004.0215
Cord Sets 10 A, Europlug, 2.5 m, Connector IEC C13, H05VV-F3G1.0, black	6003.0215
Cord Sets 10 A, uninsulated wires, 2.0 m, Connector IEC C13, H05VV-F3G1.0, black	6000.0224
Cord Sets 10 A, uninsulated wires, 2.0 m, Connector IEC C13, H05VV-F3G1.0, black	6000.0214
Cord Sets 10 A, United Kingdom, 2.5 m, Connector IEC C13, H05VV-F3G1.0, black	6044.0215
<a href="#">Power Supply Cord further types to 1074</a>	...

Category / Description



[Power Supply or Interconnection Cord Overview complete](#)

Cord Sets 10 A, United Kingdom, 2.0 m, Connector IEC H05VV-F3G1.0, black

6044.0204

[Power Supply or Interconnection Cord further types to 1074](#)

PHASE-OUT

30.01.2017