
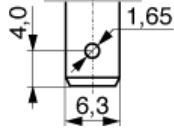

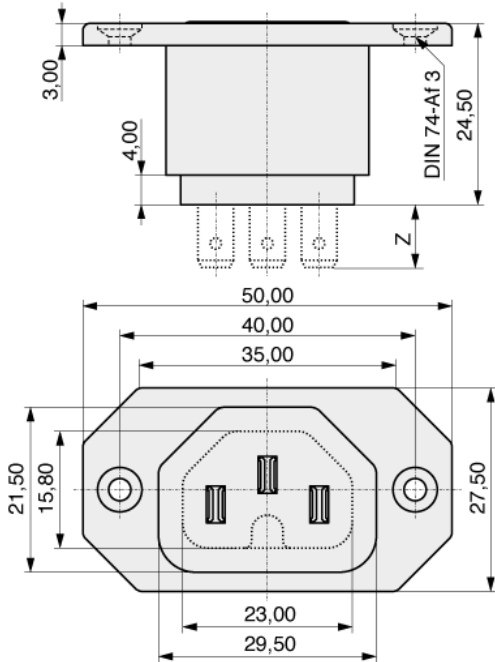




Power outlet, flange version, horizontal mount.

Inlet / Outlet Configuration	Outlet 5 - Standard F (70°)
	F 
Mounting	Horizontal
Outlet termination	R - Quick connect 6,3
	
No of fuses	0
Voltage selector	Without
Switch	None
Rated current	10,0 A (15,0 A acc. UL)
Rated voltage	250 V _{RMS}
Approvals	
Z	8,50

Configuration/Standard sheet number please see technical data



Mounting hole.

