
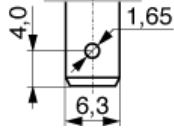



**Order code: 43R033121150**

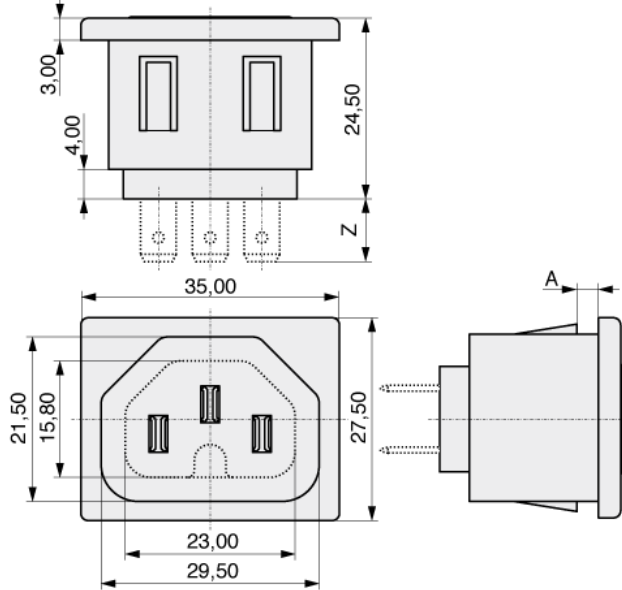
17) IN-/OUTLETS IEC 60320

Series: **641**

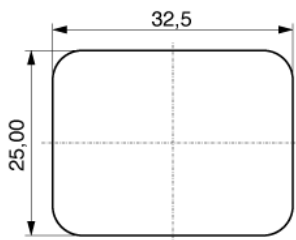
Power outlet snap-in version. Fixed snap-in for panel sizes 1,0; 1,5; 2,0 or 2,5 mm available.

Inlet / Outlet	Outlet
Configuration	5 - Standard F (70°)
	F 
Mounting	Snap in
Outlet termination	R - Quick connect 6,3
	
No of fuses	0
Voltage selector	Without
Switch	None
A - Snap-in size	1,50 mm
Rated current	10,0 A (15,0 A acc. UL)
Rated voltage	250 VRMS
Approvals	
Z	8,50

Configuration/Standard sheet number please see technical data



Mounting hole.

**Order code: 43R033121150**

MPE Garry GmbH  
Schäfflerstraße 13  
87629 Füssen/Germany

Phone: +49 (0) 83 62 / 91 56-0  
Fax: +49 (0) 83 62 / 91 56-500  
Email: [vk@mpe-connector.de](mailto:vk@mpe-connector.de)

Date: 04.03.2019 Internet: [http://www.mpe-connector.de/index.php?lang=en&menu=16&s\\_product=43R033121150](http://www.mpe-connector.de/index.php?lang=en&menu=16&s_product=43R033121150)