

ROHS Compliant

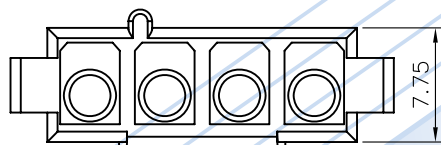
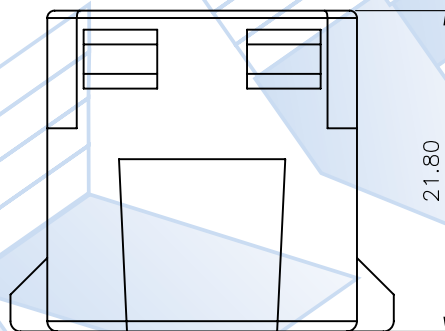
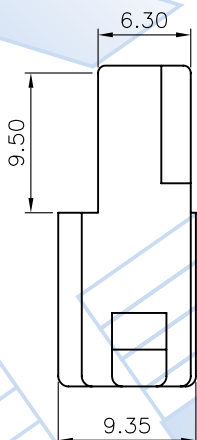
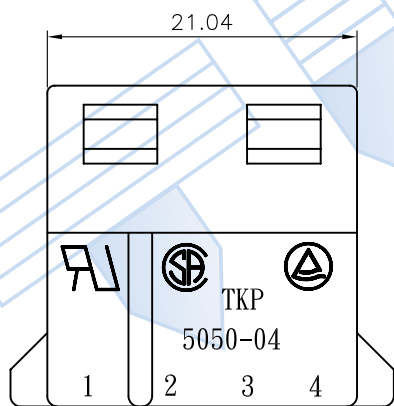
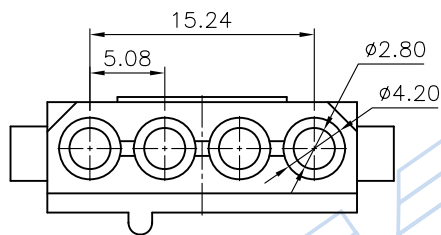


台灣駿品端子股份有限公司

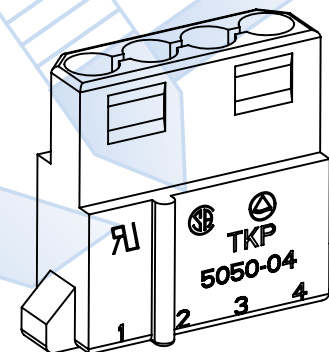
TAIWAN KING PIN TERMINAL CO.,LTD

台北縣樹林市俊德街 23 號

TEL:886-2-26895596.26886112 FAX:886-2-26886110
E-mail:tkp01.a88@msa.hinet.net http://www.tkp.com.tw



- NOTE :
- * Material : Nylon UL 94V-2
 - * Electrical rating : UL 250V 3A, AC/DC
CSA 250V 5A, AC/DC
TUV 250V 7A, AC/DC
 - * color: Natural
 - * Accepts 8850T(LF) terminal
 - * Mates with 4040, 4050, 4060 series headers
 - * Mates with 8851 series housing



PART NO.		5050-04		Part NO.	Material	Color/Finish	Remark	APPROVAL
TITLE		5.08mm Wire to Board						DRAWN: 廖艷云
THIRD ANGLE	SCALE	UNIT	SHEET NO	TOLERANCE	DATE	ODD NUMBERS	REV	CHECKED: 王忠
	1.25:1	mm	1/1	.X± 0.30 .XXX±0.10 .XX± 0.20 ANGLE±2°	2006.11.07	ENG950001	A0	APPROVED: 馮凌杰
	508-028		A508-005					