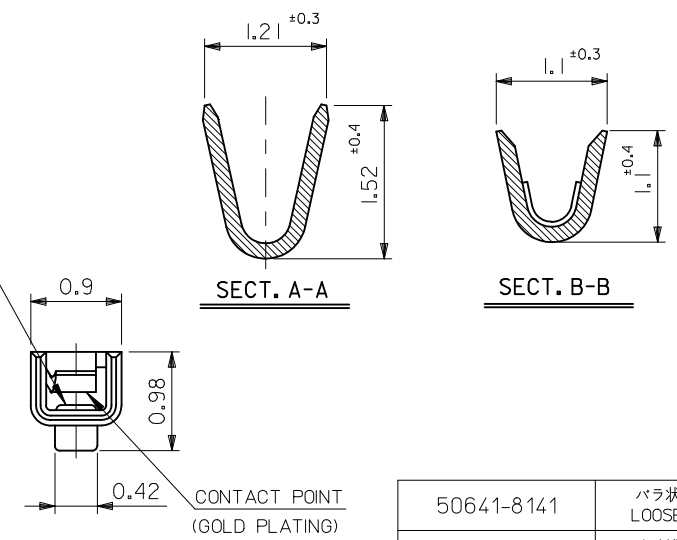
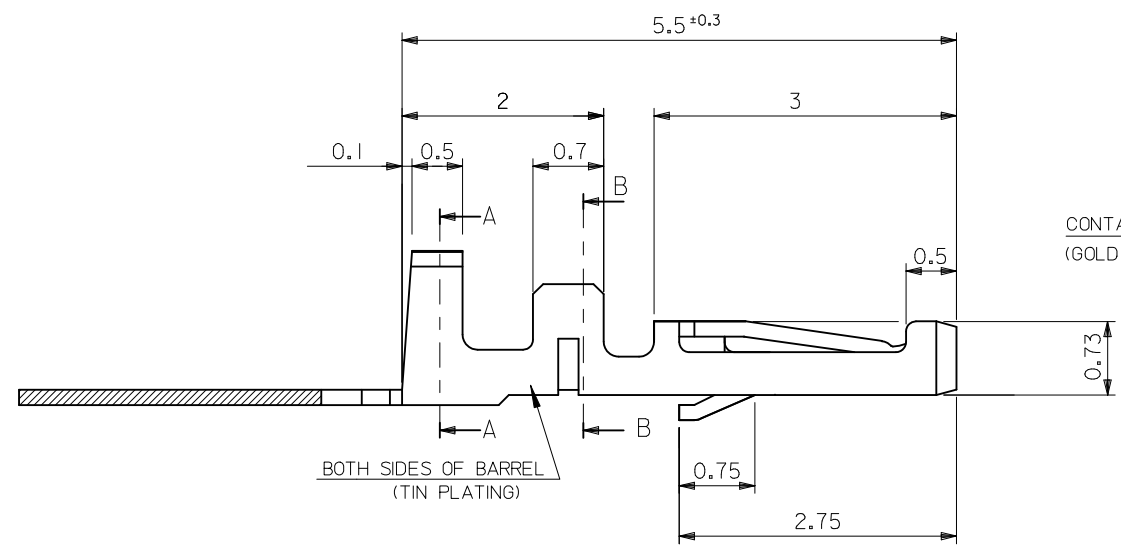


- NOTES.
1. 適合ハウジング：51146シリーズ
APPLICABLE HOUSING：51146 SERIES
 2. メッキ仕様（前メッキ）
PLATING (PRE-PLATING)
接点部金メッキ：0.2 μm MIN.
CONTACT AREA GOLD PLATING
バレル外面 錫メッキ：0.9 μm MIN.
OUTSIDE OF BARREL TIN PLATING
下地ニッケルメッキ：1.0 μm MIN.
UNDER PLATING NICKEL PLATING
 3. 本製品はコンタクト部 金メッキ品である。
THIS PRODUCT IS GOLD PLATING FOR CONTACT POINT.
 4. 本製品はバレル両面 錫メッキ品である。
THIS PRODUCT IS TIN PLATING BOTH SIDES A BARREL.
 5. ELV AND RoHS COMPLIANT.



MATERIAL リン青銅 下地ニッケル、部分金メッキ、錫メッキ品 PHOSPHOR BRONZE t=0.15 SELECTIVE GOLD PLATING SELECTIVE TIN PLATING UNDER NICKEL PLATING	REVISED EC NO.: J2011-0919 DRWN: NITO 2011/02/08 CHKD: SAKIYAMA 2011/02/08 APPR: NUKITA 2011/05/09	GENERAL TOLERANCES (UNLESS SPECIFIED) 10 UNDER ±0.2 10 OVER 30 UNDER ±0.25 30 OVER ±0.3 ANGULAR ±1 ° DRAFT WHERE APPLICABLE MUST REMAIN WITHIN DIMENSIONS	DIMENSION STYLE MM ONLY DRAWN BY: NITO DATE: 2011/02/08 CHECKED BY: SAKIYAMA DATE: 2011/02/08 APPROVED BY: NUKITA DATE: 2011/05/09 MATERIAL NO.: ENTER PART	SCALE 20:1 DESIGN UNITS METRIC THIRD ANGLE PROJECTION	TITLE 1.25 W/B CONN CRIMP RECEPTACLE MOLEX INCORPORATED DOCUMENT NO.: SD-50641-001	SHEET NO. 1 OF 1