

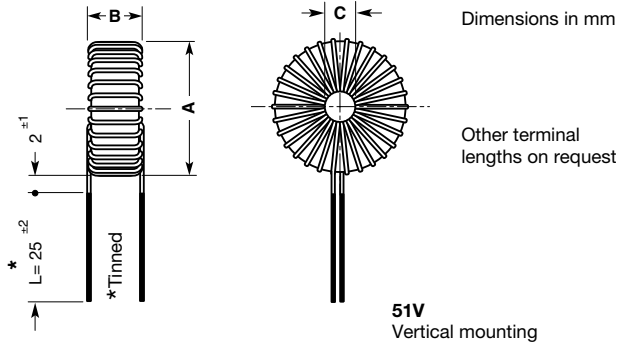
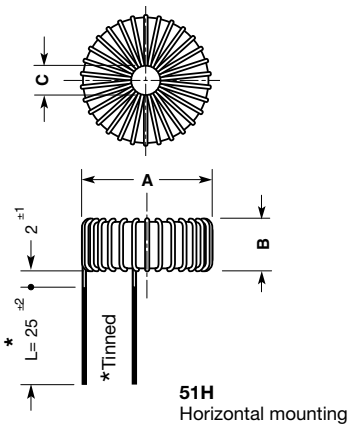


OPEN VERSION

Current 0.63 to 20 A

These chokes are made with a toroid core in iron powder (IP). They are mainly used in switched-mode power supplies; they can also be used as RFI suppressors.

Dimensions in mm



Dimensions in mm

Other terminal lengths on request

Other terminal lengths on request

Technical Data

Rated current:	referred to 250 V-50 Hz and +60°C ambient temperature
Rated inductance:	at +20°C - 10 kHz and 0.1 mA
Inductance tolerance:	± 20%
DC resistance:	at +20°C
Climatic category:	DIN GKC (-40 to +125°C; humidity cat. C)



Approval VDE

The chokes are designed and tested in accordance with EN 138100; EN 60938-1

See types p. 69



OPEN VERSION

Current 0.63 to 20 A

TYPES

Horizontal Code	Vertical Code	Rated current A	Rated inductance μH	DC resis- tance (typical) m Ω	Dimensions - mm			Approx. weight g	Approv.
					A max.	B max.	C min.		
51H13 06 00	51V13 06 00	0.63	150	230	14	6.5	5.5	4	
51H17 06 00	51V17 06 00	0.63	330	380	18.5	7.5	8	9	
51H20 06 00	51V20 06 00	0.63	680	600	21	10.5	10.5	15	
51H17 10 00	51V17 10 00	1	270	210	19.5	9	5	14	
51H20 10 00	51V20 10 00	1	560	360	22	12	8	19	
51H24 10 00	51V24 10 00	1	1500	690	26.5	10.5	9	27	
51H27 10 00	51V27 10 00	1	1800	780	30	11	9	33	
51H20 16 00	51V20 16 00	1.6	330	180	21.5	11	10	17	
51H24 16 00	51V24 16 00	1.6	1000	400	26.5	10.5	10.5	24	
51H32 16 00	51V32 16 00	1.6	1600	650	34	10	14	34	
51H17 20 00	51V17 20 00	2	150	100	20	9	6.5	12	
51H24 20 00	51V24 20 00	2	150	90	26	10	11	19	
51H24 20 01	51V24 20 01	2	390	160	26.5	10.5	10.5	21	
51H27 20 00	51V27 20 00	2	470	210	29	10.5	10.5	26	
51H27 20 01	51V27 20 01	2	1100	400	30	11.5	9.5	30	
51H20 25 00	51V20 25 00	2.5	200	100	22.5	12	9	19	
51H27 25 00	51V27 25 00	2.5	680	220	31	11	10	33	
51H38 25 00	51V38 25 00	2.5	1500	500	42	12.5	17	71	
51H24 31 00	51V24 31 00	3.15	180	75	27	10.5	10	23	
51H33 31 00	51V33 31 00	3.15	820	200	38	16	11.5	62	
51H24 40 00	51V24 40 00	4	150	55	27	10	10.5	21	
51H27 50 00	51V27 50 00	5	120	45	31	11.5	9.5	31	
51H33 50 00	51V33 50 00	5	330	80	38.5	16	11	65	
51H32 60 00	51V32 60 00	6	150	45	35	9.5	14	34	
51H33 63 00	51V33 63 00	6.3	330	70	38.5	16	12	67	
51H32 80 00	51V32 80 00	8	100	30	35.5	10	14	35	
51H33 80 00	51V33 80 00	8	180	40	37.5	15	14	57	
51H32 A0 00	51V32 A0 00	10	80	20	37	12	11	37	
51H38 A0 00	51V38 A0 00	10	150	26	44	18	13.5	80	
51H33 A6 00	51V33 A6 00	16	100	15	41	17	9	77	
51H38 B0 00	51V38 B0 00	20	100	10	45.5	15.5	13	95	
51H47 A0 00	51V47 A0 00	10	400	67	53	23	18	200	
51H47 A6 00	51V47 A6 00	16	250	40	54	25	17	200	
51H47 B0 00	51V47 B0 00	20	150	18	55	26	17	200	

The table shows the standard types. Other types can be supplied according to customer's specifications. See technical data p. 68