



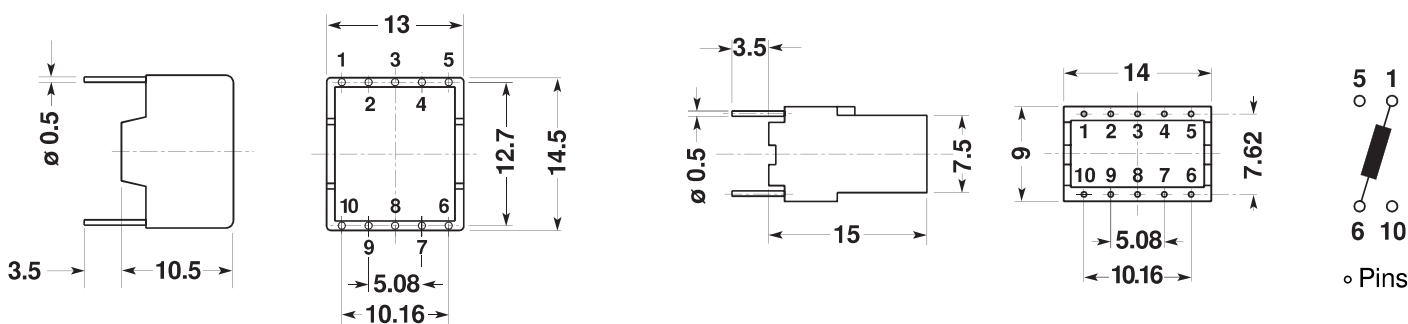
# Storage Chokes

These chokes are made with iron powder core (IP). They are mainly used in switched-mode power supplies; they can also be used as RFI suppressors. The chokes are designed and tested in accordance with EN 138100; EN 60938-1. The cases are of flame-retardant plastic material in accordance with UL 94V-0.

## Technical Data

Rated current: at 250V-50 Hz; +60°C a.t. Inductance tolerance: ±20%  
 Rated inductance: at +20°C; 10 kHz, 0.1 mA Climatic category: DIN GKF (-40 to +125°C)

## CASE VERSION



**56H14** Packing: 228 pcs

Dimensions in mm  
Pins are tinned

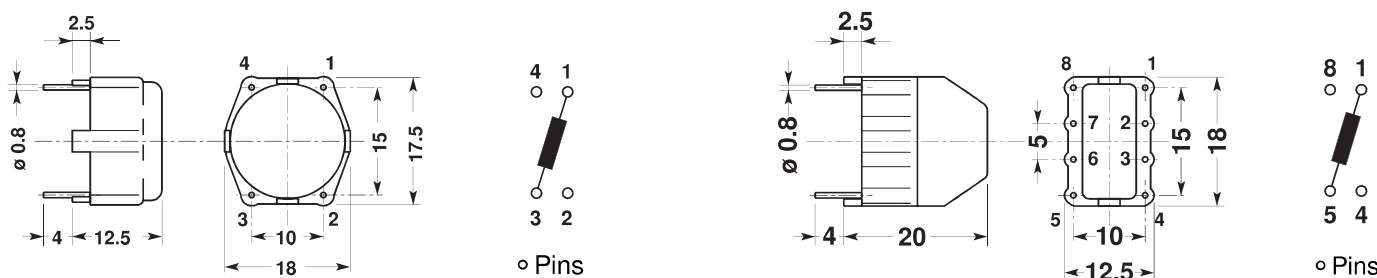
**56V15** Packing: 306 pcs

## Stock Types

Toroid Core

Horizontal mounting	Vertical mounting	Rated current A	Rated inductance μH	DCR typical m Ω
56H14 04 00	56V15 04 00	0.4	100	220
56H14 06 00	56V15 06 00	0.63	70	150

Approx. weight 3 g



**56H17** Packing: 135 pcs

**56V20** Packing: 361 pcs

## Stock Types

Toroid Core

Horizontal mounting	Vertical mounting	Rated current A	Rated inductance μH	DCR typical m Ω
56H17 04 00	56V20 04 00	0.4	300	560
56H17 06 00	56V20 06 00	0.63	150	230

Approx. weight 10 g

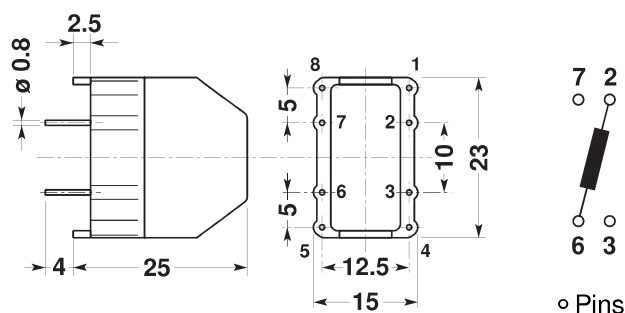
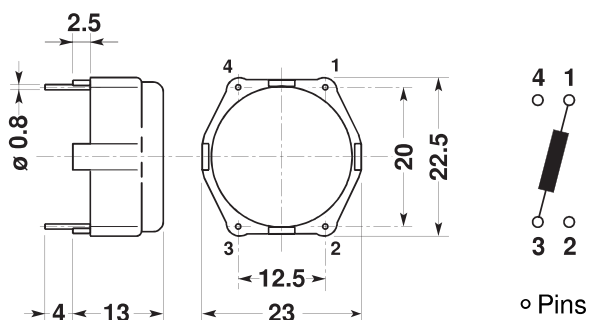
For other technical specifications please visit the internet site  
[www.radiohm.com](http://www.radiohm.com) >>Products >>Chokes & Transformers >>Storage Chokes



# Storage Chokes

## CASE VERSION

Dimensions in mm  
Pins are tinned



**56H22** Packing: 77 pcs

**56V25** Packing: 240 pcs

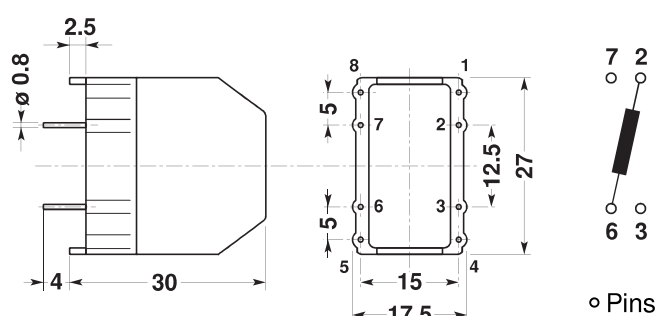
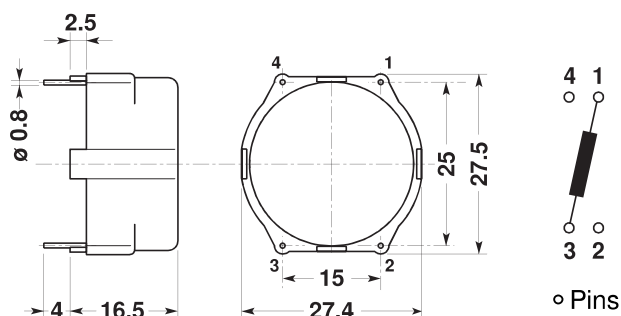
## Stock Types

Toroid Core

Horizontal mounting	Vertical mounting	Rated current A	Rated inductance $\mu\text{H}$	DCR typical m $\Omega$
56H22 10 00	56V25 10 00	1	270	210
56H22 20 00	56V25 20 00	2	150	100

Approx. weight 12 g

Technical data and applications p. 21.



**56H27** Packing: 112 pcs

**56V30** Packing: 164 pcs

## Stock Types

Toroid Core

Horizontal mounting	Vertical mounting	Rated current A	Rated inductance $\mu\text{H}$	DCR typical m $\Omega$
56H27 06 00	56V30 06 00	0.63	680	600
56H27 16 00	56V30 16 00	1.6	330	180
56H27 25 00	56V30 25 00	2.5	260	100

Technical data and applications p. 9.

Approx. weight 16 g

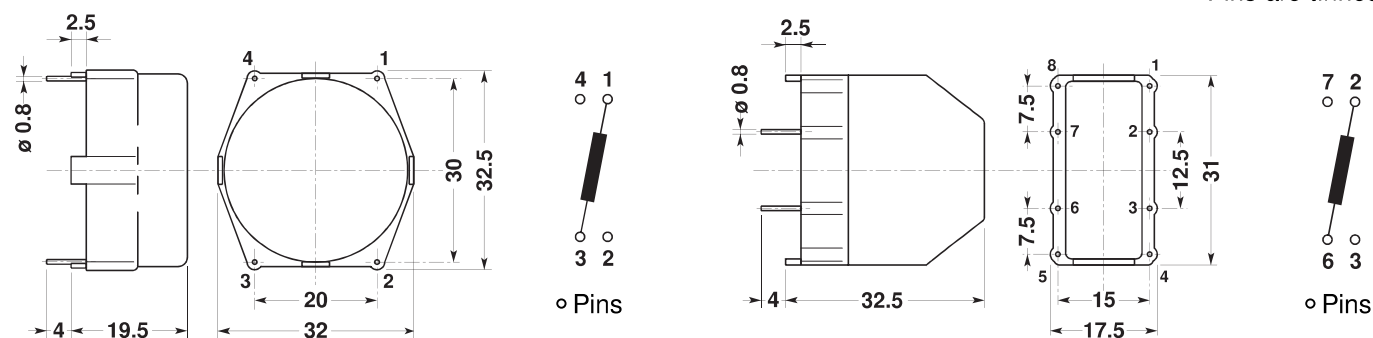
For other technical specifications please visit the internet site  
[www.radiohm.com](http://www.radiohm.com) >>Products >>Chokes & Transformers >>Storage Chokes



# Storage Chokes

## CASE VERSION

Dimensions in mm  
Pins are tinned



56H32 Packing: 84 pcs

56V32 Packing: 143 pcs

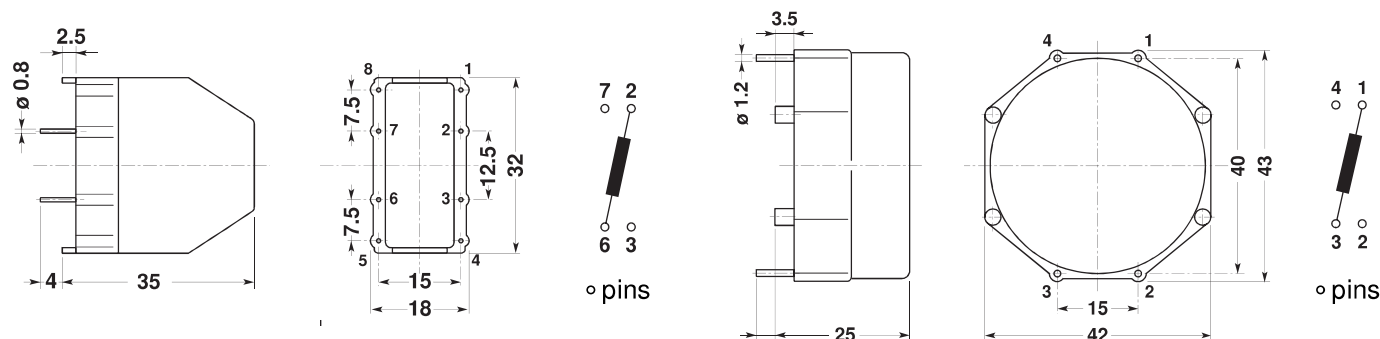
## Stock Types

Toroid Core

Horizontal mounting	Vertical mounting	Rated current A	Rated inductance $\mu\text{H}$	DCR typical $\text{m}\Omega$	Approval
56H32 20 00	56V32 20 00	2	150	90	 VDE
56H32 40 00	56V32 40 00	4	150	75	
56H32 80 00		8	100	34	
56H32 A0 00		10	80	20	

Technical data and applications p. 9.

Approx. weight 26 g



56V35 Packing: 143 pcs

56H42 Packing: 40 pcs

## Stock Types

Toroid Core

Horizontal mounting	Vertical mounting	Rated current A	Rated inductance $\mu\text{H}$	DCR typical $\text{m}\Omega$	Approx. weight g	Approval
	56H42 16 00	1.6	1600	650	38	 VDE
	56V35 25 00	2.5	680	210	36	
	56V35 50 00	5	120	45	40	
	56H42 60 00	6	150	45	40	
	56H42 80 00	8	100	30	44	
	56H42 A0 00	10	80	20	48	

Technical data and applications p. 9.

For other technical specifications please visit the internet site  
[www.radiohm.com](http://www.radiohm.com) >>Products >>Chokes & Transformers >>Storage Chokes