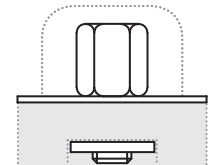
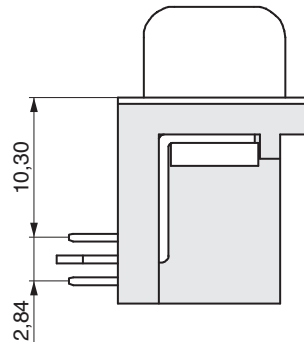
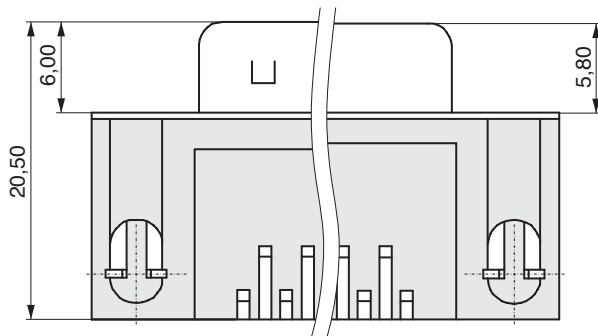
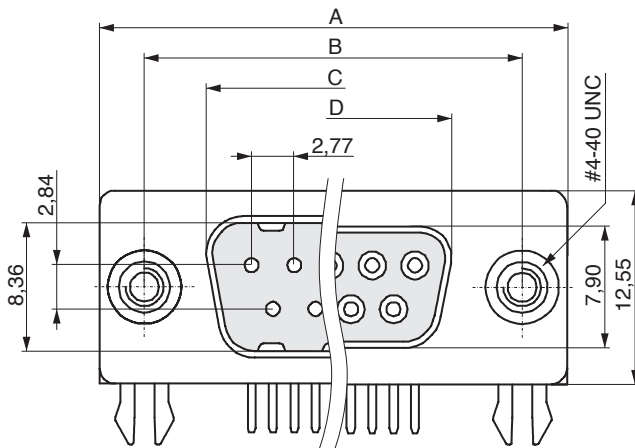


D-SUB

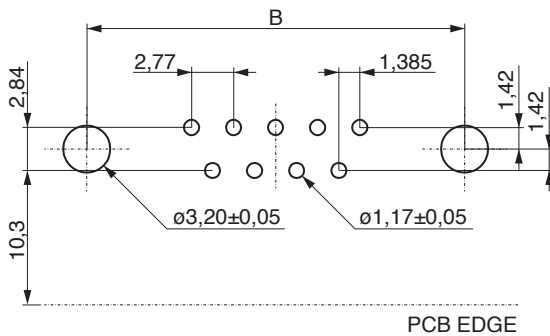
Technical data:

Insulating material: Thermoplast UL 94V-0
 Contact material: Copper Alloy
 Plating: Gold
 Rated current: 3 Amp.
 Rated voltage: 125 V_{RMS}/V_{DC}
 Withstand voltage: 500 V_{RMS} for one minute
 Operating temperature: -55°C to +105°C
 Max. soldering temp.: 230°C for 10 seconds

pitch	rows	row distance	orientation	termination
	2		right angled	through hole



Mounting option N6
Rivet + jack screw inserted



Pincount	A	B	C	D
009	30,81	24,99	16,92	16,33
015	39,14	33,32	25,25	24,66
025	53,04	47,04	38,96	38,38
037	69,32	63,50	55,42	54,84

- Pincount: see table
- Gender: M = Male / F = Female
- Mounting option: N6 = Rivet + jack screw inserted
- Colour: 0 = Black
- Plating contact: F = Au

Order code: **597-4-XXXX-N60NF-BS0**