

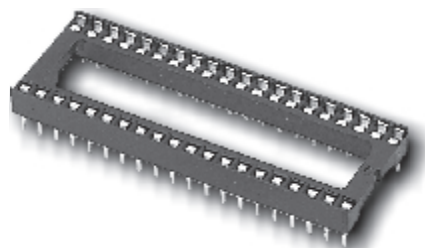
# Series 600

## SPECIFICATIONS

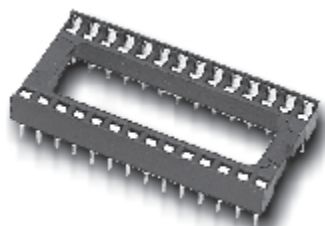
技術資料

### Stamped Pin IC Socket

集成電路插座-沖片式

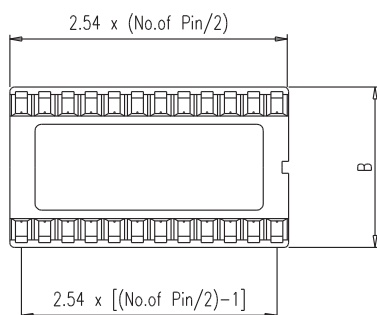
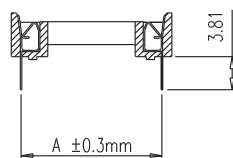
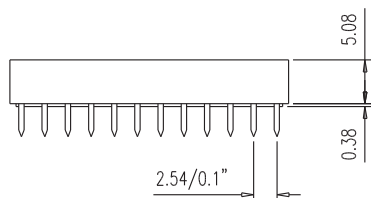


600-406-00



600-286-00

#### SERIES 600



### MATERIAL

- **Insulator:** Glass-Filled Thermoplastic (PBT) UL 94V-0
- **Contact:** Phosphor Bronze
- **Finishes:** Tin plated

### ELECTRICAL

- **Insertion Force:** 340 grams Max.
- **Extraction Force:** 50 grams Min.
- **Current Rating:** 1 Amp Min
- **Contact Resistance:** 20ΩMan. after Test
- **Insulation Resistance:** 1000mΩMin.
- **Withstanding Voltage:** 1000Vrms Min.
- **Operating Temperature:** -55°C to +105°C

Number of Pin	Dimension	
	A	B
06		
08		
14		
16		
18	7.62	10.01
20		
22		
24		
28		
22	10.16	12.56
24		
28		
32	15.24	17.63
40		
42		
48		
64	22.86	25.99

Unit = mm

**KARSON**  
TECHNOLOGY

### HOW TO ORDER 排序整理

