

IEC Appliance Inlet C14/C18, Snap-in Mounting, Front Side, Solder or Quick-connect or Screw-on Terminal



Snap-In Version

**Description**

- Panel Mount :  
Snap-in version , Front Side
- 1 Function :

- Appliance Inlet , Pin temperature 70 °C , protection class I or II
- Solder, Quick Connect or Screw Terminals

**Approvals**

- VDE Certificate Number: 40011871
- UL File Number: E96454
- CSA File Number: 27324
- CCC File Number: 2012010204576576

**Weblinks**

[pdf datasheet](#), [html-datasheet](#), [General Product Information](#), [RoHS](#), [CHINA-RoHS](#), [REACH](#), [Distributor-Stock-Check](#), [Accessories](#), [Detailed request for product](#)

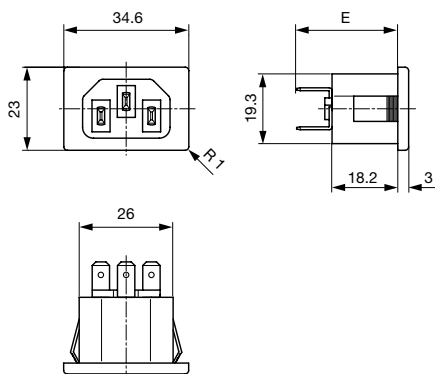
**Technical Data**

Ratings IEC	10A / 250VAC; 50/60Hz
Ratings UL/CSA	15A / 250VAC; 60Hz
Dielectric Strength	> 2.5kVAC between L-N > 1.5kVAC between L/N-PE (1 min/50Hz)
Allowable Operation Temp.	-25 °C to 70 °C
IP-Protection	from front side IP 20 acc. to IEC 60529
Insulation cover	Suitable for appliances with protection class I or II acc. to IEC 61140
Terminal	Solder, Quick Connect or Screw Terminals
Panel Thickness s	Snap-in version 0.8 - 1.5/1.6 - 2.0 mm
Material: Housing	PA6, black or grey, UL 94V-0

appliance inlet/-outlet	C14 / C18 acc. to IEC 60320-1 UL 60320-1, CSA C22.2 no. 60320-1 (for cold conditions) pin-temperature 70 °C, 10A, Protection Class I or II
-------------------------	--

**Dimensions**

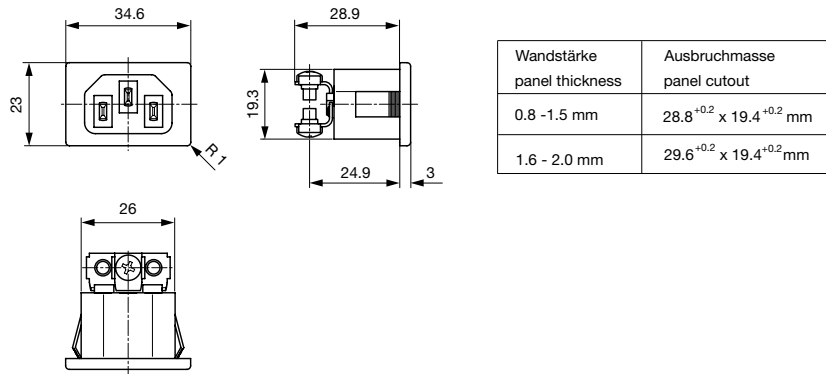
Quick connect or solder terminals



Wandstärke panel thickness	Ausbruchmasse panel cutout
0.8 -1.5 mm	28.8 <sup>+0.2</sup> x 19.4 <sup>+0.2</sup> mm
1.6 - 2.0 mm	29.6 <sup>+0.2</sup> x 19.4 <sup>+0.2</sup> mm

- E: Solder terminals short: 23.7 mm
- E: Solder terminals long: 27.1 mm
- E: Quick connect terminals 4.8x0.8 mm: 27.9 mm
- E: Quick connect terminals 6.3x0.8 mm: 28.9 mm

Screw terminals



Config. Code


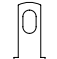

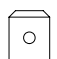
1061 - H - A B C 0 - D - E O

The characters are placeholders for the correspondingly keys of selections from the key tables.

1061 - **H** - A B C 0 - D - E O = Type

Type	Configuration key
protection class II	B
protection class I	X

1061 - H - **A** B C 0 - D - E O = Terminals

Terminal L	Configuration key
short solder terminal (L = 4.8 mm) 	2
long solder terminal (L = 8.5 mm) 	3
Blade terminal (4.8 x 0.8 mm) 	8
Blade terminal (6.3 x 0.8 mm) 	9
screw terminal	A

1061 - H - A **B** C 0 - D - E O = Terminals

Terminal N	Configuration key
short solder terminal (L = 4.8 mm)	2
long solder terminal (L = 8.5 mm)	3
Blade terminal (4.8 x 0.8 mm)	8
Blade terminal (6.3 x 0.8 mm)	9
screw terminal	A

Symbols similar as in table A

1061 - H - A B **C** 0 - D - E O = Terminals

Terminal Ground	Configuration key
without terminal	0
short solder terminal (L = 4.8 mm)	2
long solder terminal (L = 8.5 mm)	3
Blade terminal (4.8 x 0.8 mm)	8
Blade terminal (6.3 x 0.8 mm)	9
screw terminal	A

Symbols similar as in table A

1061 - H - A B C 0 - **D** - E O = Color

Color	Configuration key
Black	A
Grey	B

1061 - H - A B C 0 - D - **E** O = Style

Style	Configuration key
snap-in standard type	3

1061 - H - A B C 0 - D - E **O** = Features

Features	Configuration key
without V-Lock	
V-Lock	V

All Variants

Type	Terminals L / N	Terminal Ground	Color	Style	Features	Config. Code	Order Number
protection class II	short solder terminal (L = 4.8 mm)	without terminal	Black	snap-in standard type	-	1061-B-2200-A-3	6162.0003
protection class II	Blade terminal (6.3 x 0.8 mm)	without terminal	Black	snap-in standard type	-	1061-B-9900-A-3	6162.0004
protection class I	short solder terminal (L = 4.8 mm)	short solder terminal (L = 4.8 mm)	Black	snap-in standard type	-	1061-X-2220-A-3	6162.0005
protection class I	short solder terminal (L = 4.8 mm)	short solder terminal (L = 4.8 mm)	Grey	snap-in standard type	-	1061-X-2220-B-3	6162.0006
protection class I	long solder terminal (L = 8.5 mm)	long solder terminal (L = 8.5 mm)	Black	snap-in standard type	-	1061-X-3330-A-3	6162.0007
protection class I	long solder terminal (L = 8.5 mm)	long solder terminal (L = 8.5 mm)	Grey	snap-in standard type	-	1061-X-3330-B-3	6162.0008
protection class I	Blade terminal (4.8 x 0.8 mm)	Blade terminal (4.8 x 0.8 mm)	Black	snap-in standard type	-	1061-X-8880-A-3	6162.0009
protection class I	Blade terminal (6.3 x 0.8 mm)	Blade terminal (6.3 x 0.8 mm)	Black	snap-in standard type	-	1061-X-9990-A-3	6162.0010
protection class I	Blade terminal (6.3 x 0.8 mm)	Blade terminal (6.3 x 0.8 mm)	Grey	snap-in standard type	-	1061-X-9990-B-3	6162.0011
protection class II	long solder terminal (L = 8.5 mm)	without terminal	Black	snap-in standard type	-	1061-B-3300-A-3	6162.0160

The listed variants should be available from stock Other versions on request [www.schurter.com/contact](http://www.schurter.com/contact)

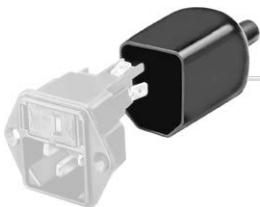
Most Popular.

Availability for all products can be searched real-time: <http://www.schurter.com/Stock-Check/Stock-Check-SCHURTER>

Packaging unit 50 Pcs

Accessories

Description



Assorted Covers  
Rear Cover

Mating Outlets/Connectors

Category / Description

[Connector Overview complete](#)



4782 Mounting: Power Cord, 3 x 1 mm <sup>2</sup> / 3 x 18 AWG, Cable, Connector: IEC C13	4782
4022 Mounting: Power Supply Cord, 3 x 1.5 mm <sup>2</sup> , Screw clamps, Connector: IEC C13	4022
4785 Mounting: Power Cord, 3 x 1 mm <sup>2</sup> / 3 x 18 AWG, Cable, Connector: IEC C13	4785
4300-06 Mounting: Power Cord, 3 x 1 mm <sup>2</sup> / 3 x 18 AWG, Cable, Connector: IEC C13	4300-06
4012 Mounting: Power Supply Cord, 3 x 1.5 mm <sup>2</sup> , Screw clamps, Connector: IEC C13	4012
<a href="#">Connector further types to 1061</a>	...

[Interconnection Cord Overview complete](#)



Cord Sets 10 A, Interconnection, 2.0 m, IEC H05VV-F3G1.0, black	6007.0204
Cord Sets 10 A, Interconnection, 1.0 m, Connector IEC C13, H05VV-F3G1.0, black	6007.0212
Cord Sets 10 A, Interconnection, 2.0 m, Connector IEC C13, H05VV-F3G1.0, black	6007.0214

[Interconnection Cord further types to 1061](#)

## Category / Description

[Power Supply Cord Overview complete](#)

Cord Sets 10 A, Europlug, 2.5 m, Connector IEC C13, H05VV-F3G1.0, black	6004.0215
Cord Sets 10 A, Europlug, 2.5 m, Connector IEC C13, H05VV-F3G1.0, black	6003.0215
Cord Sets 10 A, uninsulated wires, 2.0 m, Connector IEC C13, H05VV-F3G1.0, black	6000.0224
Cord Sets 10 A, uninsulated wires, 2.0 m, Connector IEC C13, H05VV-F3G1.0, black	6000.0214
Cord Sets 10 A, United Kingdom, 2.5 m, Connector IEC C13, H05VV-F3G1.0, black	6044.0215
<a href="#">Power Supply Cord further types to 1061</a>	...

[Power Supply or Interconnection Cord Overview complete](#)

Cord Sets 10 A, United Kingdom, 2.0 m, Connector IEC H05VV-F3G1.0, black	6044.0204
<a href="#">Power Supply or Interconnection Cord further types to 1061</a>	