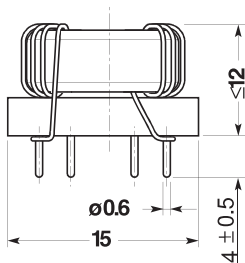




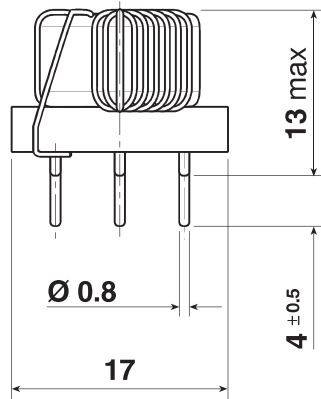
# Driver Transformers

TYPES  
62H15  
62H16

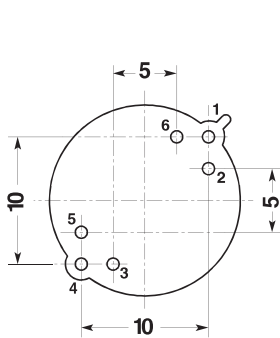
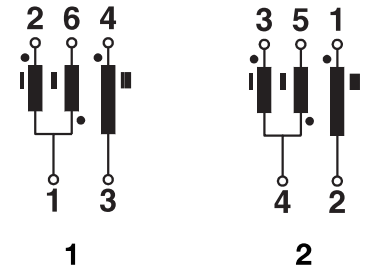
These current transformers are fitted with high-permeability toroid core (ferrite). They are mainly used as drivers for transistor self-oscillating circuits in electronic transformers for halogen lamps, electronic ballasts for fluorescent lamps, switched-mode power supplies and other electronic devices.



Dimensions in mm  
Pins are tinned

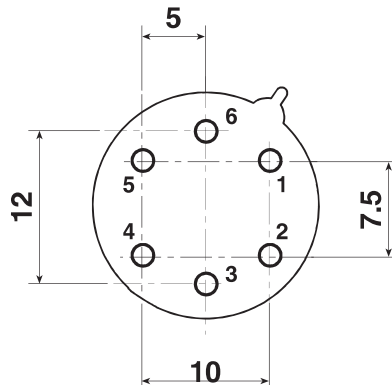


### Connection plans



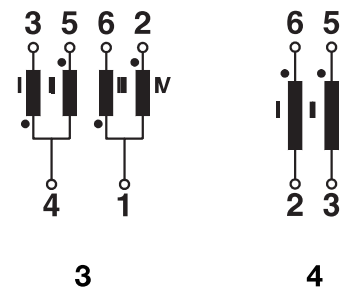
### 62H15

View from the bottom  
Mounting holes  $\varnothing 0.9$



### 62H16

View from the bottom  
Mounting holes  $\varnothing 1.3$



• Start of winding  
○ Pins

### TYPES

Code	Code	Rated inductance (typical) mH <sup>•</sup>	Winding turns				kV	Connection plan
			I	II	III	IV		
62H15 32 00	62H16 32 00	0.012	2 <sup>•</sup>	2 <sup>•</sup>	2 <sup>•</sup>	—	0.5	1
62H15 32 01	62H16 32 01	0.060	1	7 <sup>•</sup>	7 <sup>•</sup>	—	0.5	2
62H15 42 00	62H16 42 00	0.120	3	2	2	10 <sup>•</sup>	0.5	3
62H15 42 01	62H16 42 01	0.120	6	1	1	10 <sup>•</sup>	0.5	3
62H15 22 00	62H16 22 00	0.050	6 <sup>•</sup>	6 <sup>•</sup>	—	—	4.0	4

<sup>•</sup> Rated inductance measured at 10 kHz, 0.1 mA

Approx. weight: 5 g

The transformers are designed and tested in accordance with EN 138100; EN 60938-1  
The sockets are of flame-retardant plastic material in accordance with UL 94V-0