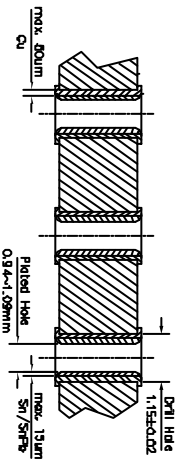
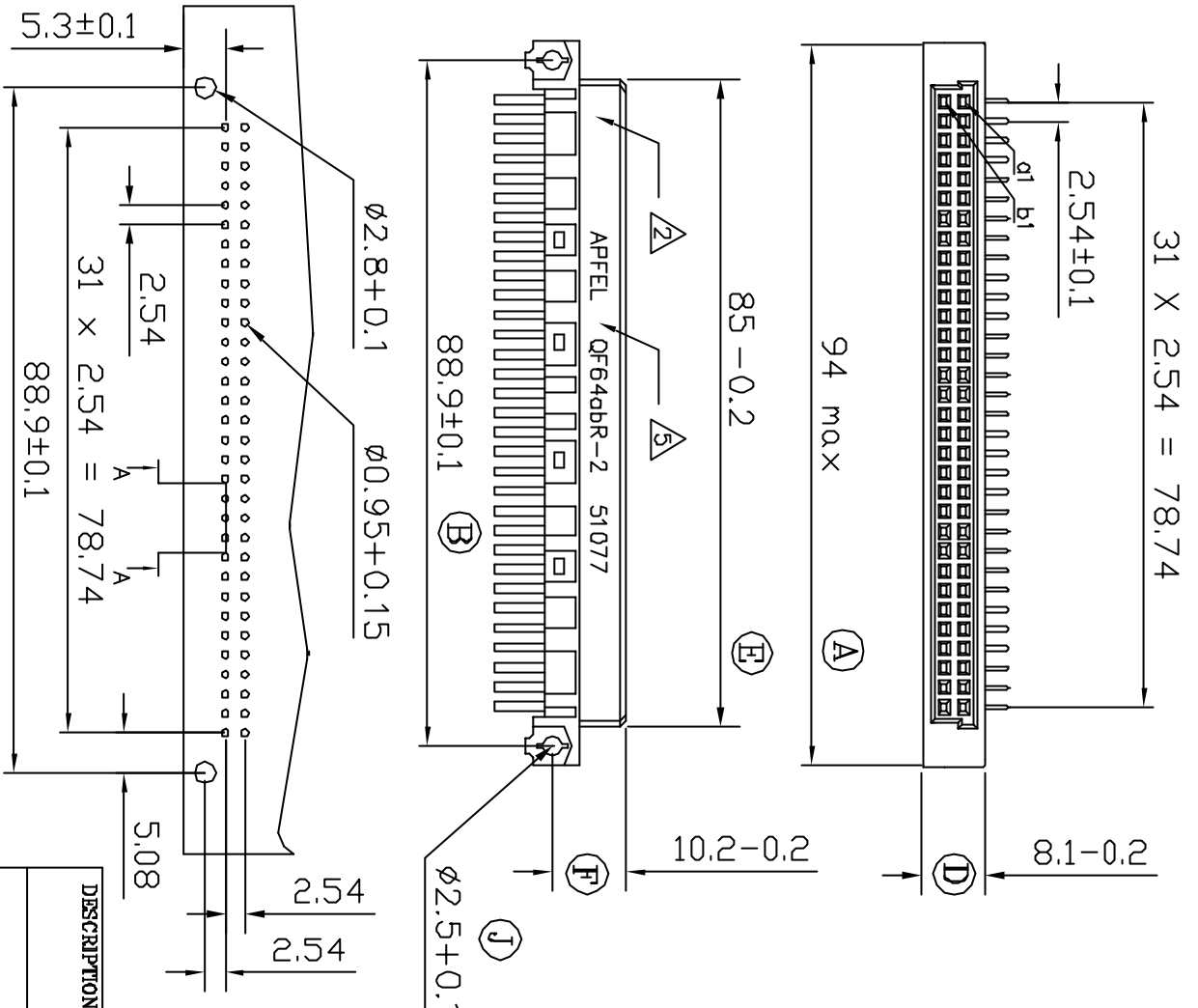


REV	DESCRIPTION OF REVISIONS	DATE	DRAWN	CHECKED
A	FIRST RELEASE	10/28/1998	ST Ling	H Shen

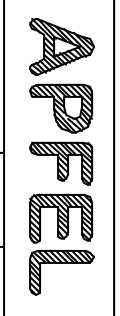
NOTES:

- ① CONNECTOR MEETS REQUIREMENT OF DIN 41612
- ② MATERIAL :  
-HOUSING : GLASS-FILLED PBT, COLOR GREY, UL 94V-0  
-CONTACT : PHOSPHOR BRONZE
- ③ CONTACT TAIL DIMENSION  
THICKNESS : 0.35 ±0.02mm  
WIDTH : 0.60 ±0.04mm
- ④ TAIL LENGTH : 3 - 0.4mm  
CONTACT FINISH (OPTION IN PART NUMBER)  
-1: 30u"(0.75um) GOLD PLATING ON MATING AREA, TIN PLATING ON TAIL AREA,  
FLASH GOLD PLATING ON NON-MATING AREA, NICKEL UNDERPLATE ALL OVER  
-2: 15u"(0.38um) GOLD PLATING ON MATING AREA, TIN PLATING ON TAIL AREA,  
FLASH GOLD PLATING ON NON-MATING AREA, NICKEL UNDERPLATE ALL OVER  
BLANK: FLASH GOLD PLATING ON MATING AREA AND NON-MATING AREA.
- ⑤ TIN PLATING ON TAIL AREA, NICKEL UNDERPLATE ALLOWER  
CONNECTOR PRINTED WITH COMPANY NAME, PART NUMBER, AND BATCH NUMBER



RECOMMENDED HOLE SPECIFICATIONS  
SECTION A-A  
SCALE 6 : 1

DESCRIPTION : FEMALE, TYPE Q, 64 CONTACTS,  
RIGHT ANGLED SOLDER CONNECTOR  
CUSTOMER DRAWING



MILLIMETERS
X.XXX ±0.012
X.XX ±0.05
X.X ±0.1
X ±0.25

PART NUMBER		DRAWN	UNITS	ANGLE	CHECKED	SCALE	REV	DRAWING NO.
NO.1QR64abr-1		ST Ling	MM	±1°	H Shen	1:1	A	FD077.DWG
NO.2QPB4abr-2								
NO.3QTB4abr								

RECOMMENDED PCB HOLE LAYOUT  
COMPONENT SIDE  
SCALE 1 : 1