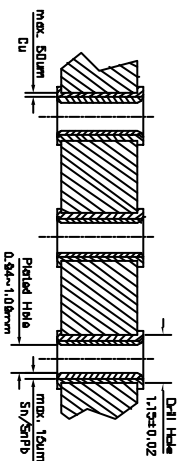
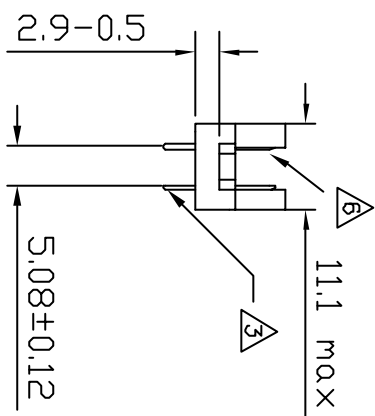
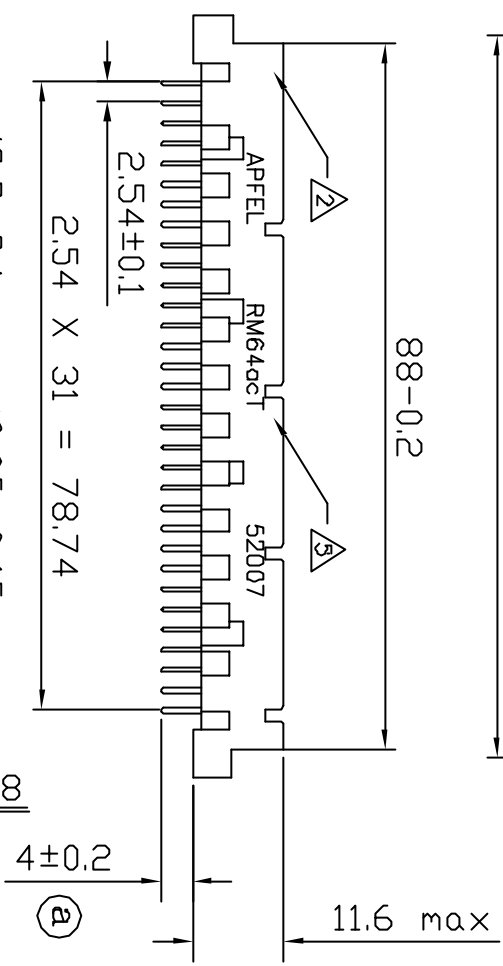
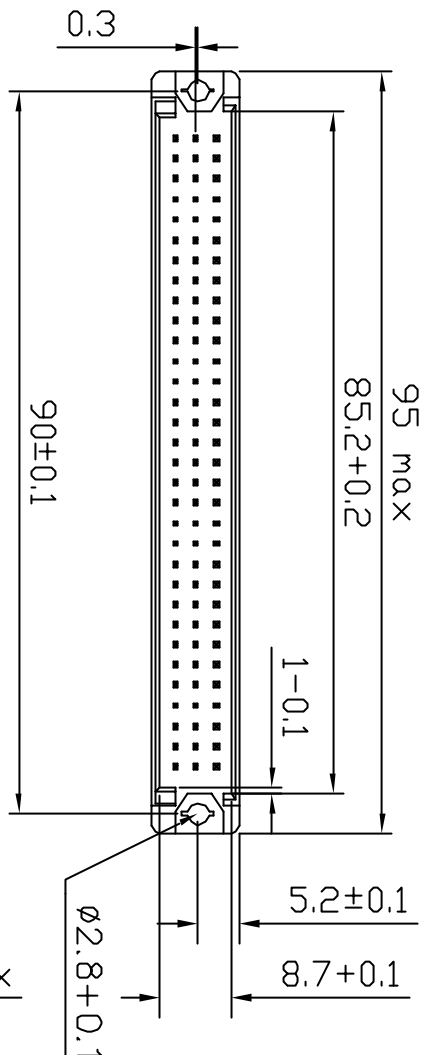


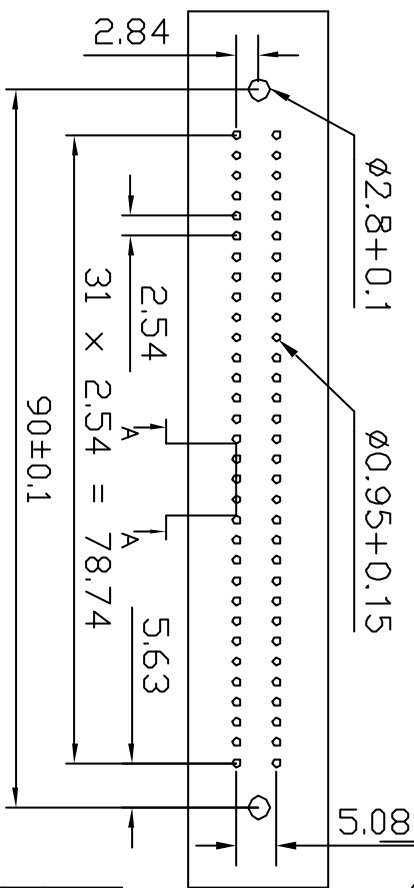
REV	DESCRIPTION OF REVISIONS	DATE	DRAWN	CHECKED
A	FIRST RELEASE	04/29/2005	ST Ling	H Shen

NOTES :

- ① CONNECTOR MEETS REQUIREMENT OF DIN 41612
- ② MATERIAL :
-HOUSING : GLASS-FILLED PBT, COLOR GREY, UL 94V-0
- ③ CONTACT : COPPER ALLOY
-CONTACT TAIL DIMENSION (THICKNESS x WIDTH x LENGTH)
-T : $0.48 \pm 0.03 \times 0.48 \pm 0.03 \times 4 \pm 0.2$
-T2.5 : $0.48 \pm 0.03 \times 0.48 \pm 0.03 \times 2.5 \pm 0.2$
- ④ CONTACT FINISH (OPTION IN PART NUMBER)
-1 : 30u" (0.75um) GOLD PLATING ON MATING AREA, TIN PLATING ON TAIL AREA, FLASH GOLD PLATING ON NON-MATING AREA, NICKEL UNDERPLATE ALLOWER
-2 : 15u" (0.38um) GOLD PLATING ON MATING AREA, TIN PLATING ON TAIL AREA, FLASH GOLD PLATING ON NON-MATING AREA, NICKEL UNDERPLATE ALLOWER
BLANK : FLASH GOLD PLATING ON MATING AREA AND NON-MATING AREA, TIN PLATING ON TAIL AREA, NICKEL UNDERPLATE ALLOWER
- ⑤ CONNECTOR PRINTED WITH COMPANY NAME, PART NUMBER, AND BATCH NUMBER
- ⑥ CONTACT MATING SIDE LENGTH
-STANDARD : $5.05 - 0.25\text{mm}$
-EXTENDED : $5.6 \pm 0.2 / -0.05\text{mm}$
-SHORT : $4.25 \pm 0.1 / -0.05\text{mm}$



RECOMMENDED HOLE SPECIFICATIONS
SECTION A-A
SCALE 6 : 1



RECOMMENDED PCB HOLE LAYOUT
COMPONENT SIDE
SCALE 1 : 1

DESCRIPTION : MALE, TYPE R, 64 CONTACTS,
STRAIGHT SOLDER CONNECTOR
CUSTOMER DRAWING

PART NUMBER

NO.1 RM64act-1	NO.4 RM64actT2.6-1
NO.2 RM64act-2	NO.5 RM64actT2.6-2
NO.3 RM64act	NO.6 RM64actT2.6

APFEL

MILLIMETERS
X.XX ±0.012
X.XX ±0.05
X.X ±0.1
X ±0.25

DRAWN	UNIT	ANGLE	DRAWING NO.
ST Ling	MM	±1°	F0566.DWG
CHECKED	SCALE	REV	
H Shen	1:1	A	