

643075-4 ✓ ACTIVE

MTA | MTA 100

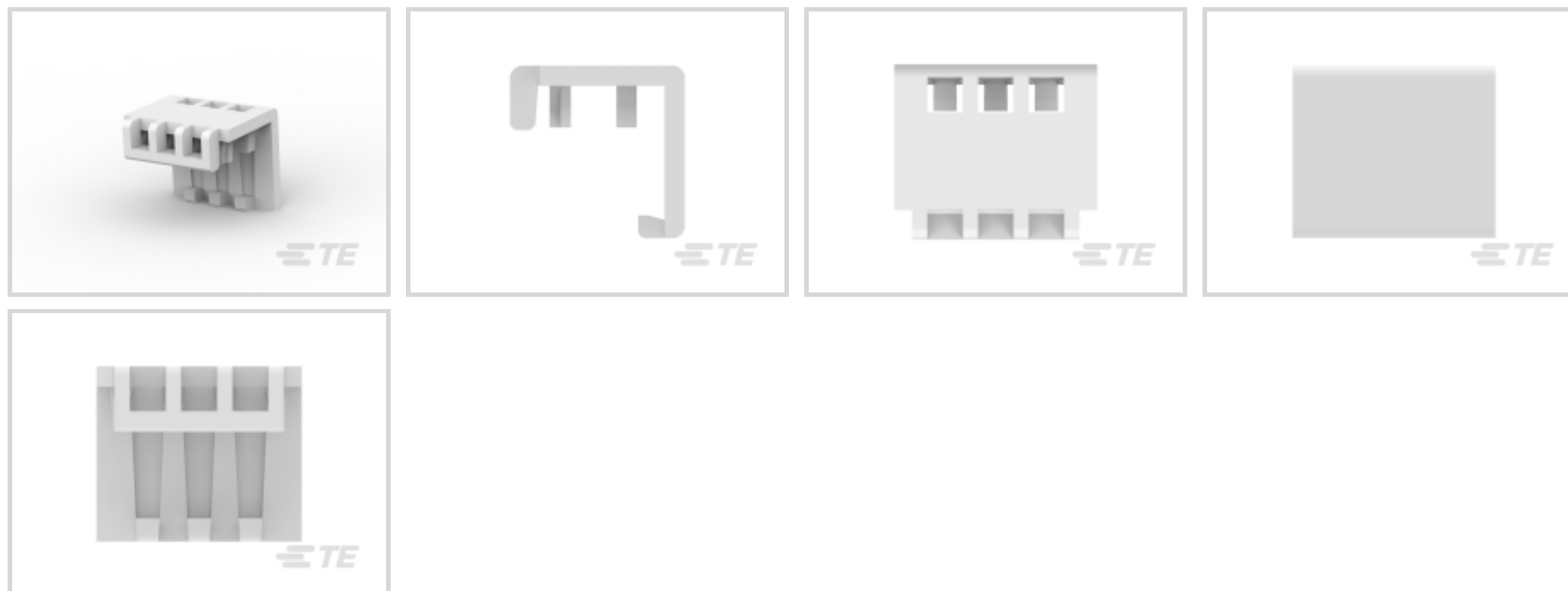
TE Internal #: 643075-4

MTA 100, PCB Connector Covers, Strain Relief Covers, 4 Position,  
2.54mm [.1in] Centerline, Nylon, Standard Product Profile

[View on TE.com >](#)



Connectors > PCB Connectors > PCB Connector Accessories > Protection & Strain Relief > PCB Connector Covers



Protection & Strain Relief Accessory Type: **Strain Relief Covers**

Number of Positions: **4**

Centerline (Pitch): **2.54 mm [.1 in ]**

Primary Product Material: **Nylon**

Product Profile: **Standard**

## Features

### Product Type Features

Protection & Strain Relief Accessory Type	Strain Relief Covers
Product Profile	Standard

### Configuration Features

Number of Positions	4
---------------------	---

### Body Features

Primary Product Color	White
Primary Product Material	Nylon

### Housing Features

Centerline (Pitch)	2.54 mm[.1 in]
--------------------	----------------

### Usage Conditions

Compatible With IDC Installation Type Connector	Closed End
Operating Temperature Range	-40 – 85 °C[-40 – 185 °F][-40 – 185 °F]

### Industry Standards

UL Flammability Rating	UL 94V-2
------------------------	----------



## Product Compliance

[For compliance documentation, visit the product page on TE.com>](#)

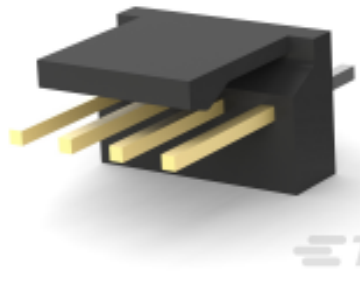
EU RoHS Directive 2011/65/EU	Compliant
EU ELV Directive 2000/53/EC	Compliant
China RoHS 2 Directive MIIT Order No 32, 2016	No Restricted Materials Above Threshold
EU REACH Regulation (EC) No. 1907/2006	Current ECHA Candidate List: JUN 2020 (209) Candidate List Declared Against: JAN 2020 (205) SVHC > Threshold: Not Yet Reviewed
Halogen Content	Low Halogen - Br, Cl, F, I < 900 ppm per homogenous material. Also BFR/CFR/PVC Free
Solder Process Capability	Not applicable for solder process capability

### Product Compliance Disclaimer

This information is provided based on reasonable inquiry of our suppliers and represents our current actual knowledge based on the information they provided. This information is subject to change. The part numbers that TE has identified as EU RoHS compliant have a maximum concentration of 0.1% by weight in homogenous materials for lead, hexavalent chromium, mercury, PBB, PBDE, DBP, BBP, DEHP, DIBP, and 0.01% for cadmium, or qualify for an exemption to these limits as defined in the Annexes of Directive 2011/65/EU (RoHS2). Finished electrical and electronic equipment products will be CE marked as required by Directive 2011/65/EU. Components may not be CE marked. Additionally, the part numbers that TE has identified as EU ELV compliant have a maximum concentration of 0.1% by weight in homogenous materials for lead, hexavalent chromium, and mercury, and 0.01% for cadmium, or qualify for an exemption to these limits as defined in the Annexes of Directive 2000/53/EC (ELV). Regarding the REACH Regulation, the information TE provides on SVHC in articles for this part number is based on the latest European Chemicals Agency (ECHA) 'Guidance on requirements for substances in articles' posted at this URL: <https://echa.europa.eu/guidance-documents/guidance-on-reach>

## Compatible Parts

 <p>TE Part # 3-644564-4 04P MTA100 CONN ASSY F/T 26AWG</p>	 <p>TE Part # 3-644574-4 04P MTA100 CONN ASSY BLK LF</p>	 <p>TE Part # 647000-4 04P MTA100 PSTD CONN ASSY SN</p>	 <p>TE Part # 3-641211-4 04P MTA100 HDR ASY PL STR LF</p>
--	---	--	--



TE Part # 3-647116-4  
04P MTA100 HDR HT FL 30AU LF



TE Part # 3-644044-4  
04P MTA100 CONN ASSY LF



TE Part # 3-647609-4  
04P MTA100 HDR ASSY F/L LF



TE Part # 3-644565-4  
04P MTA100 CONN ASSY F/T 28AWG



TE Part # 3-647001-4  
04P MTA100 PSTD CONN ASSY SN



TE Part # 3-644020-4  
04P MTA100 CONN ASSY 30AU



TE Part # 3-641191-4  
04P MTA100 CONN ASSY WHT LF



TE Part # 1-643075-1  
11P MTA100 MOLDED COVER



TE Part # 1-643075-5  
15P MTA100 MOLDED COVER



TE Part # 1-643075-6  
16P MTA100 MOLDED COVER



TE Part # 2-644803-4  
04P MTA100 SHRD HDR ASSY RA FL



TE Part # 3-641127-4  
04P MTA100 HDR ASSY FL/RA LF



TE Part # 641215-4  
04P MTA100 HDR ASSY FL/ST 30AU



TE Part # 3-647050-4  
04P MTA100 HDR ASSY F/L HITEMP




TE Part # 3-644043-4  
04P MTA100 CONN ASSY LF



TE Part # 3-647166-4  
4P MTA100 HDR ASSY,SM,FL,LF

Also in the Series | **MTA 100**



Insertion & Extraction Tools(2)



PCB Connector Covers(107)



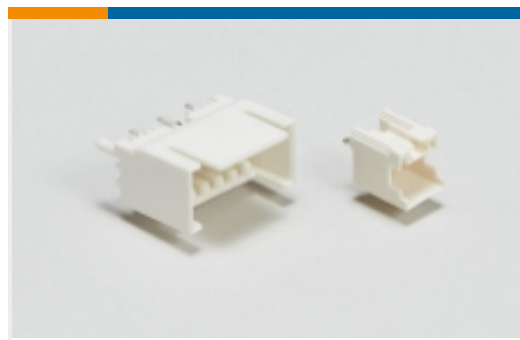
PCB Connector Keying(1)



Standard Rectangular Connectors (1730)

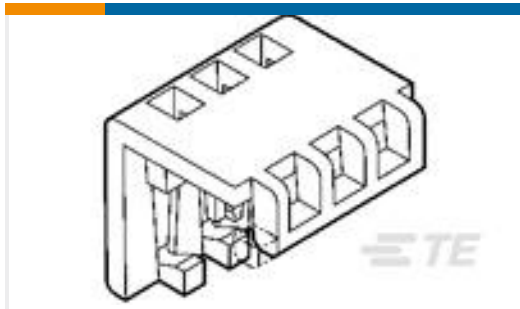


Wire-to-Board Connector Contacts(18)

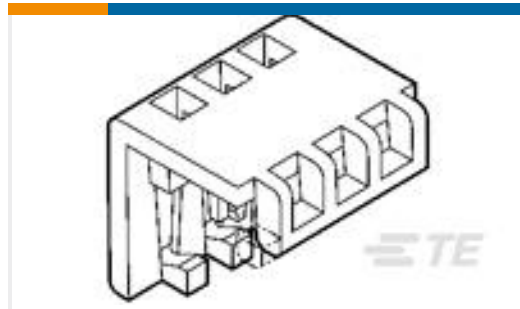


Wire-to-Board Headers & Receptacles (1182)

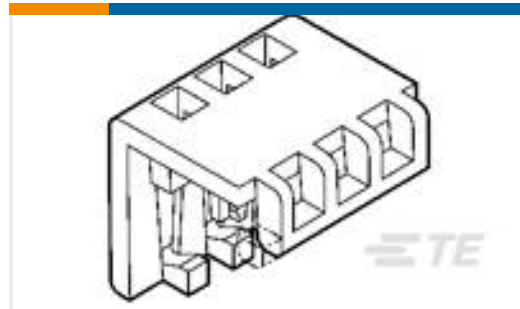
## Customers Also Bought



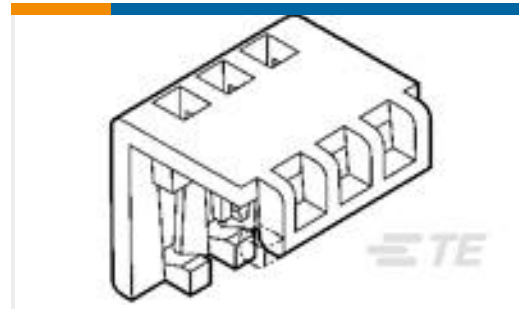
TE Part #643075-8  
08P MTA100 MOLDED COVER



TE Part #643075-5  
05P MTA100 MOLDED COVER



TE Part #1-643075-0  
10P MTA100 MOLDED COVER



TE Part #643075-6  
06P MTA100 MOLDED COVER



TE Part #3-643813-6  
06P MTA100 CONN ASSY POL RIB



TE Part #3-641219-4  
04P MTA156 CONN ASSY 22AWG LF



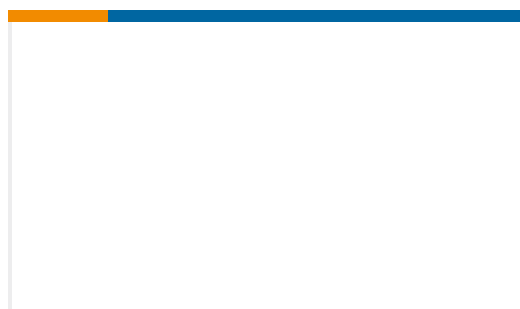
TE Part #4-644511-4  
04P MTA100 CONN ASSY ON TAPE



TE Part #5-644511-4  
14P MTA100 CONN ASSY ON TAPE



TE Part #193673-2  
SKT ASSY., CRIMP, 4MM, 10AWG



TE Part #DP86-100P-OVR-2  
PRESS SENSOR; NISO, DP86-100P-OVR-2

## Documents

### Product Drawings

[04P MTA100 MOLDED COVER](#)

English

### CAD Files

[3D PDF](#)

3D

[3D PDF](#)

English



**Customer View Model**

[ENG\\_CVM\\_643075-4\\_G.3d\\_igs.zip](#)

English

**Customer View Model**

[ENG\\_CVM\\_643075-4\\_G.3d\\_stp.zip](#)

English

**Customer View Model**

[ENG\\_CVM\\_643075-4\\_G.2d\\_dxf.zip](#)

English

**Customer View Model**

[ENG\\_CVM\\_CVM\\_643075-4\\_N.2d\\_dxf.zip](#)

English

**Customer View Model**

[ENG\\_CVM\\_CVM\\_643075-4\\_N.3d\\_igs.zip](#)

English

**Customer View Model**

[ENG\\_CVM\\_CVM\\_643075-4\\_N.3d\\_stp.zip](#)

English

By downloading the CAD file I accept and agree to the [Terms and Conditions](#) of use.

---

**Datasheets & Catalog Pages**

[MTA, CST-100 II, SL-156 and AMP Economy Power \(EP\) Connectors](#)

English

---

**Product Environmental Compliance**

[MD\\_643075-4\\_10192017249\\_dmtec](#)

English

[MD\\_643075-4\\_10192017249\\_dmtec](#)

English

---

**Instruction Sheets**

[Instruction Sheet \(U.S.\)](#)

English