

643075-6 ✓ ACTIVE

MTA | MTA 100

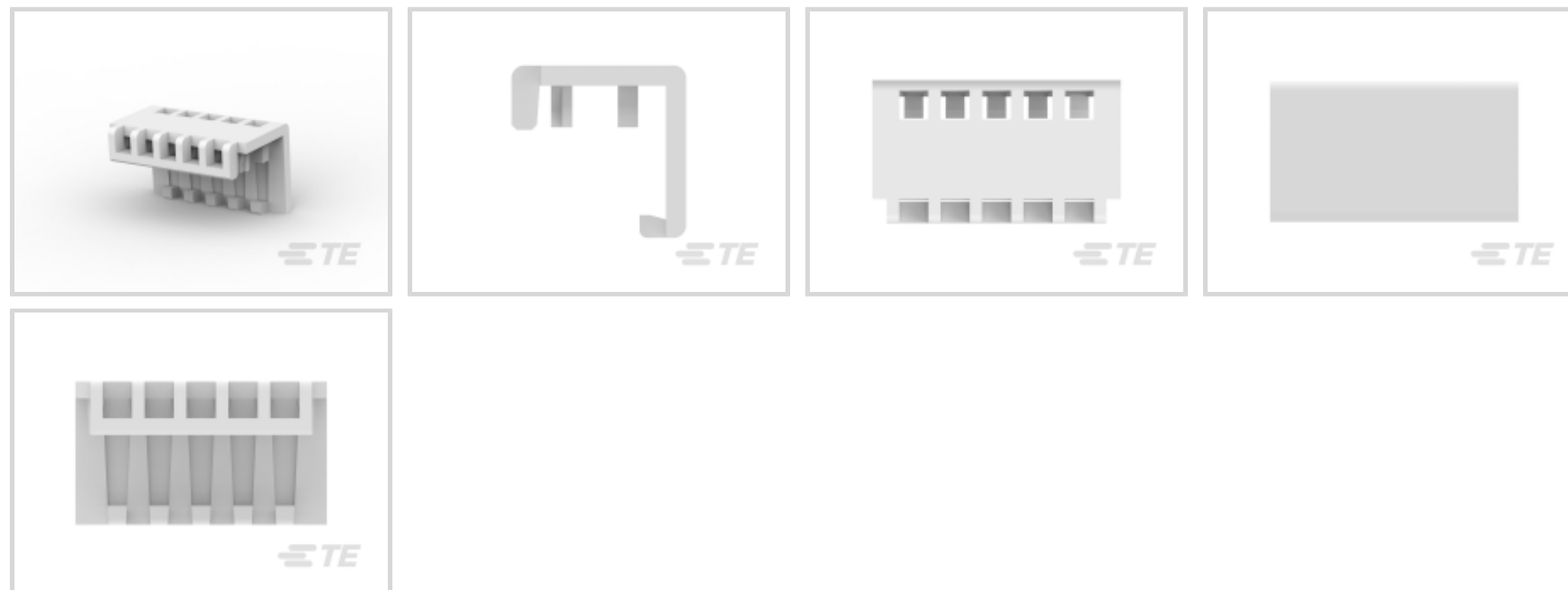
TE Internal #: 643075-6

MTA 100, PCB Connector Covers, Strain Relief Covers, 6 Position,  
2.54mm [.1in] Centerline, Nylon, Standard Product Profile

[View on TE.com >](#)



Connectors > PCB Connectors > PCB Connector Accessories > Protection & Strain Relief > PCB Connector Covers



Protection & Strain Relief Accessory Type: **Strain Relief Covers**

Number of Positions: **6**

Centerline (Pitch): **2.54 mm [.1 in]**

Primary Product Material: **Nylon**

Product Profile: **Standard**

## Features

### Product Type Features

Protection & Strain Relief Accessory Type	Strain Relief Covers
Product Profile	Standard

### Configuration Features

Number of Positions	6
---------------------	---

### Body Features

Primary Product Color	White
Primary Product Material	Nylon

### Housing Features

Centerline (Pitch)	2.54 mm [.1 in]
--------------------	-----------------

### Usage Conditions

Compatible With IDC Installation Type Connector	Closed End
Operating Temperature Range	-40 – 85 °C[-40 – 185 °F][-40 – 185 °F]

### Industry Standards

UL Flammability Rating	UL 94V-2
------------------------	----------

## Product Compliance


For compliance documentation, visit the product page on [TE.com](#)>

EU RoHS Directive 2011/65/EU	Compliant
EU ELV Directive 2000/53/EC	Compliant
China RoHS 2 Directive MIIT Order No 32, 2016	No Restricted Materials Above Threshold
EU REACH Regulation (EC) No. 1907/2006	Current ECHA Candidate List: JUN 2020 (209) Candidate List Declared Against: JUN 2020 (209) Does not contain REACH SVHC
Halogen Content	Low Halogen - Br, Cl, F, I < 900 ppm per homogenous material. Also BFR/CFR/PVC Free
Solder Process Capability	Not applicable for solder process capability

### Product Compliance Disclaimer

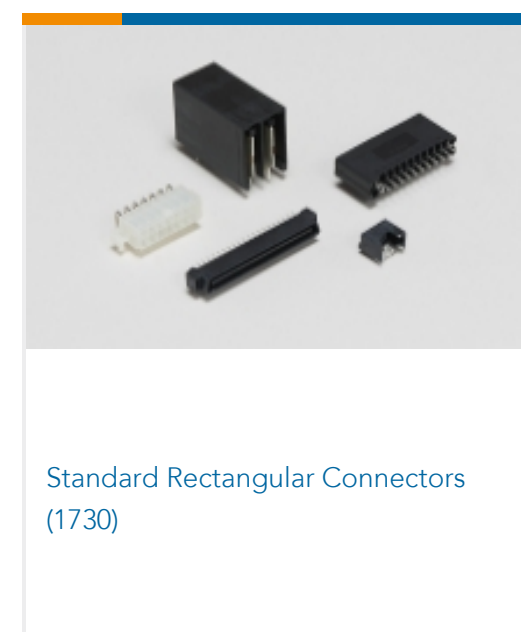
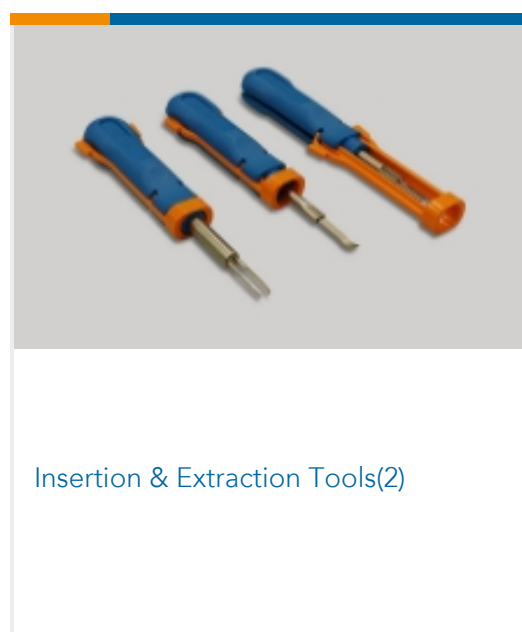
This information is provided based on reasonable inquiry of our suppliers and represents our current actual knowledge based on the information they provided. This information is subject to change. The part numbers that TE has identified as EU RoHS compliant have a maximum concentration of 0.1% by weight in homogenous materials for lead, hexavalent chromium, mercury, PBB, PBDE, DBP, BBP, DEHP, DIBP, and 0.01% for cadmium, or qualify for an exemption to these limits as defined in the Annexes of Directive 2011/65/EU (RoHS2). Finished electrical and electronic equipment products will be CE marked as required by Directive 2011/65/EU. Components may not be CE marked. Additionally, the part numbers that TE has identified as EU ELV compliant have a maximum concentration of 0.1% by weight in homogenous materials for lead, hexavalent chromium, and mercury, and 0.01% for cadmium, or qualify for an exemption to these limits as defined in the Annexes of Directive 2000/53/EC (ELV). Regarding the REACH Regulation, the information TE provides on SVHC in articles for this part number is based on the latest European Chemicals Agency (ECHA) 'Guidance on requirements for substances in articles' posted at this URL: <https://echa.europa.eu/guidance-documents/guidance-on-reach>

## Compatible Parts

 <p>TE Part # 643494-3 06P MTA100 HDR ASSY W/O#4</p>	 <p>TE Part # 3-647002-6 06P MTA100 PSTD CONN ASSY LF</p>	 <p>TE Part # 3-644564-6 06P MTA100 CONN ASSY F/T 26AWG</p>	 <p>TE Part # 641215-6 06P MTA100 HDR ASSY FL/ST 30AU</p>
---	---	--	--

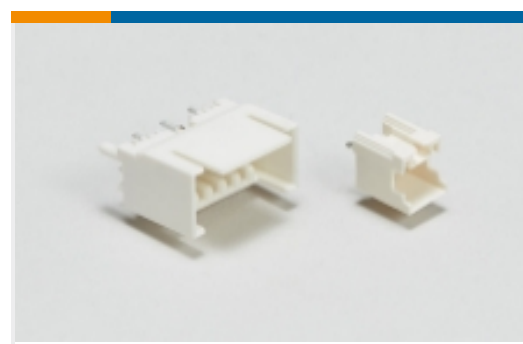


Also in the Series | **MTA 100**



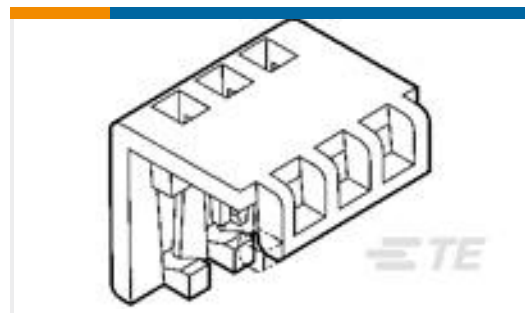


Wire-to-Board Connector Contacts(18)



Wire-to-Board Headers & Receptacles (1182)

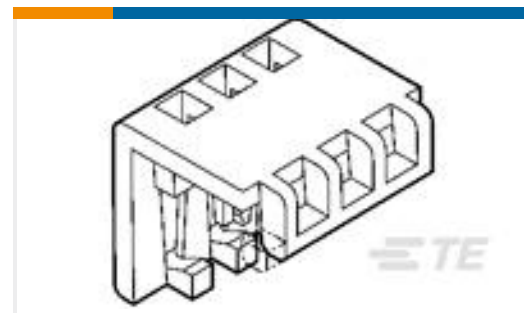
## Customers Also Bought



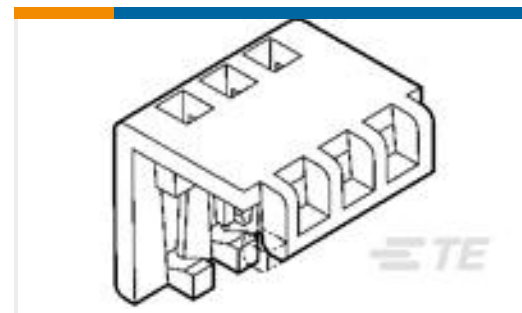
TE Part #643075-8  
08P MTA100 MOLDED COVER



TE Part #3-643814-6  
06P MTA100 CONN ASSY POL RIB



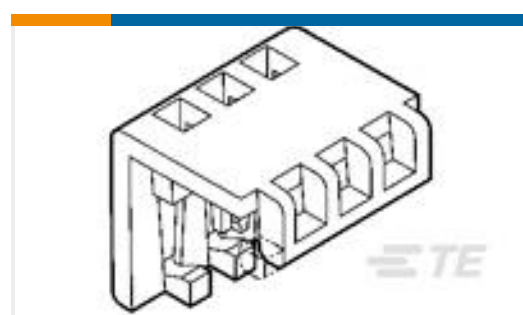
TE Part #1-643075-0  
10P MTA100 MOLDED COVER



TE Part #643075-2  
02P MTA100 MOLDED COVER



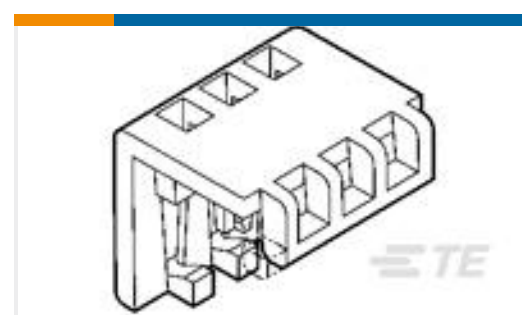
TE Part #3-643821-4  
04P MTA156 CONN ASSY 26AWG LF



TE Part #643075-3  
03P MTA100 MOLDED COVER



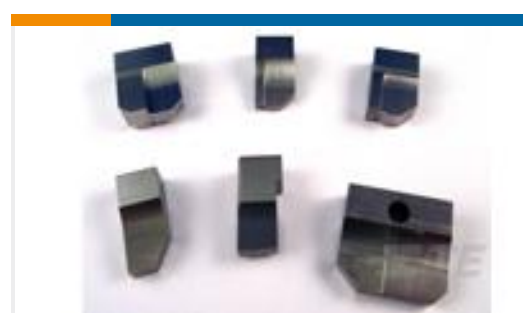
TE Part #770232-1  
CMNL IDC COVER



TE Part #1-643075-7  
17P MTA100 MOLDED COVER



TE Part #1986718-6  
HEADER, 6P, 3.5 PCB 16.5 H WB



TE Part #662182-5  
ANVIL, COMBINATION .042

## Documents

### Product Drawings

[06P MTA100 MOLDED COVER](#)

English

### CAD Files

[3D PDF](#)

3D

[3D PDF](#)

English

**Customer View Model**[ENG\\_CVM\\_643075-6\\_G.3d\\_igs.zip](#)

English

**Customer View Model**[ENG\\_CVM\\_643075-6\\_G.3d\\_stp.zip](#)

English

**Customer View Model**[ENG\\_CVM\\_643075-6\\_G.2d\\_dxf.zip](#)

English

**Customer View Model**[ENG\\_CVM\\_CVM\\_643075-6\\_N.2d\\_dxf.zip](#)

English

**Customer View Model**[ENG\\_CVM\\_CVM\\_643075-6\\_N.3d\\_igs.zip](#)

English

**Customer View Model**[ENG\\_CVM\\_CVM\\_643075-6\\_N.3d\\_stp.zip](#)

English

By downloading the CAD file I accept and agree to the [Terms and Conditions](#) of use.

**Datasheets & Catalog Pages**[MTA, CST-100 II, SL-156 and AMP Economy Power \(EP\) Connectors](#)

English

**Product Environmental Compliance**[MD\\_643075-6\\_0809201817\\_dmtec](#)

English

[MD\\_643075-6\\_0809201817\\_dmtec](#)

English

**Instruction Sheets**[Instruction Sheet \(U.S.\)](#)

English