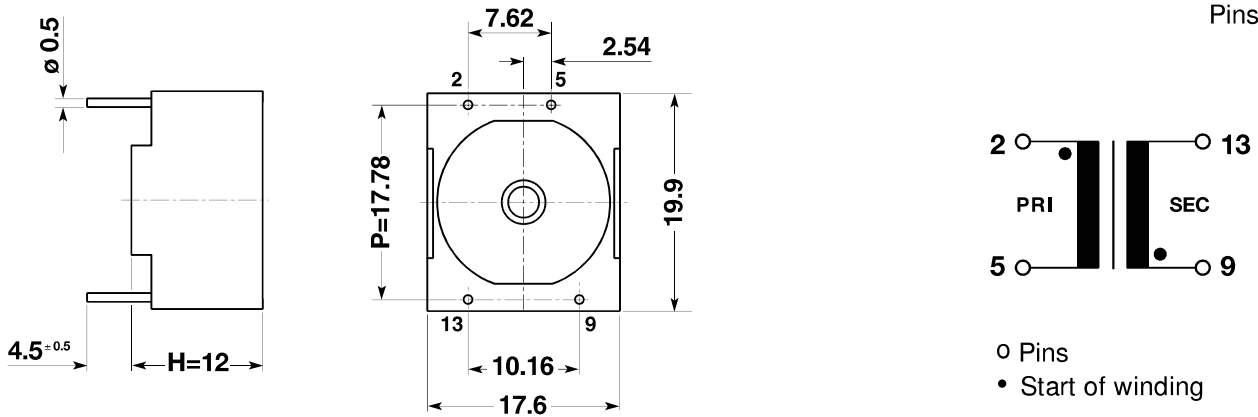




CASE VERSION

These transformers are fitted with high-permeability toroid core (ferrite). They are suitable to interface the power line modem and find a wide application wherever an high isolation resonant coupling is required.

Dimensions in mm
Pins are tinned



64H20 21 30
64H20 21 31
Horizontal mounting

Optional Pins

P	H	Codes
10.16	14	64H20A 21 30 - 64H20A 21 31
12.70	14	64H20B 21 30 - 64H20B 21 31
15.24	14	64H20C 21 30 - 64H20C 21 31

TYPES

Code	Turns ratio n ± 2%	PRI Induct mH	SEC Induct mH	PRI Leak Induct typical µH	PRI DCR typical Ω	SEC DCR typical Ω	Test voltage kV
64H20 21 30	1 : 2	12	48	250	1.2	2.4	4
64H20 21 31	1 : 2.7	2	15	30	0.74	2	4

Turns ratio: first digit refers to the primary.
Table shows the standard types. Other types can be supplied according to customer's specifications.

Technical Data

Primary inductance: at 20°C and 10 kHz, 0,1 mA
 Primary Inductance tolerance: +50% -30%
 Primary leakage inductance: at 20°C and 10 kHz, 0,1 mA
 Approx. weight: 5 g

The transformers are designed and tested in accordance with EN 138100; EN 60938-1
 The cases are of flame-retardant plastic material in accordance with UL 94V-0