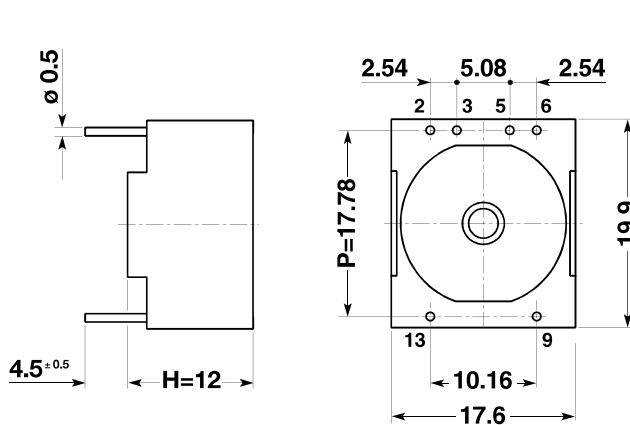




CASE VERSION

Ignition up to 0.5 A

These small size and low power transformers are fitted on toroid cores of high performance (ferrite). The wide choice of inductance values and turn ratios make them suitable as drivers of thyristors, triacs, bipolar transistors or MOSFET's in a variety of high frequency applications, such as small power supplies, inverters etc.

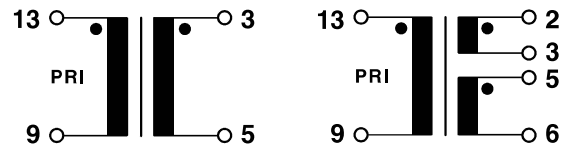


64H20
68H20
69H20

Pins are tinned

Dimensions in mm

○ Pins
• Start of winding



Optimal pins

P	H	Types
10.16	14	64H20A - 68H20A - 69H20A
12.70	14	64H20B - 68H20B - 69H20B
15.24	14	64H20C - 68H20C - 69H20C

TYPES

Code	Turns ratio n ±2%	U _t V _{μsec} min.	Tr μsec max	PRI Indut mH	PRI Leak Induc μH	PRI/SEC Cw/w pF	PRI DCR Ω	SEC DCR Ω	U _{eff} V	Up kV
64H20 21 20	3:1	150	1	17	230	7	1.10	0.40	600	4
64H20 21 21	1:1	150	1.5	2	30	9	0.37	0.37	600	4
68H20 21 20	1:1	230	0.05	5	1	110	0.55	0.55	250	2
68H20 21 21	2:1	110	0.05	5	4	50	0.55	0.30	250	2
68H20 21 22	3:1	150	0.1	17	14	75	1.10	0.40	250	2
68H20 31 20	1:1:1	150	0.05	2	0.6	70	0.37	0.37	250	2
68H20 31 21	2:1:1	110	0.1	5	6	55	0.55	0.30	250	2
69H20 21 20	1:1	110	0.05	1	1	45	0.15	0.15	600	4
69H20 21 21	1:1	150	0.05	2	1	80	0.20	0.20	600	4
69H20 31 20	1:1:1	110	0.05	1	0.8	60	0.15	0.15	600	4

Turns ratio: first digit refers to the primary.
Tr is measured with RL = 47 Ω

Symbol definitions p. 83

Technical Data

Climatic category: DIN GKC (-40 to +125°C; humidity cat. C)
Overtemperature of the windings: <55°C
Max. windings temperature: 115°C
Approx. weight: 5 g

The transformers are designed and tested in accordance with EN 138100; EN 60938-1
The cases are of flame-retardant plastic material in accordance with UL 94V-0