

1/4" (6.35mm) Square Single Turn Cermet Trimmer



FEATURES

- Miniature Package
- Available in Three Pin Styles and Top or Side Adjustment
- Rotor Designed for Automatic Machine Adjust Interface
- Ability to Withstand Harsh Environments and Immersion Cleaning Processes
- Resistance Tolerance $\pm 10\%$ Standard

Enlarged coloured rotor to provide superior adjustability, easy view of the adjustment increments, funnel shaped rotor to allow for in process automatic adjustment, withstands immersion cleaning processes, suitable for ultrasonic cleaning after soldering.

ELECTRICAL SPECIFICATIONS	
PARAMETER	
Resistance	Standard range 10 Ω to 5M Ω
Resistance Tolerance	50K, 100K $\pm 20\%$ standard
Absolute Minimum Resistance	1% or 2 Ω (whichever is greater)
Contact Resistance Variation	3% or 3 Ω maximum (whichever is greater)
Adjustability: Resolution Insulation Resistance	Infinite 1000M Ω minimum
Adjustment Angle	240° nominal
Dielectric Strength	Sea Level: 600VAC
Power Rating (300 V maximum)	70°C - 0.5W 125°C - 0.0W

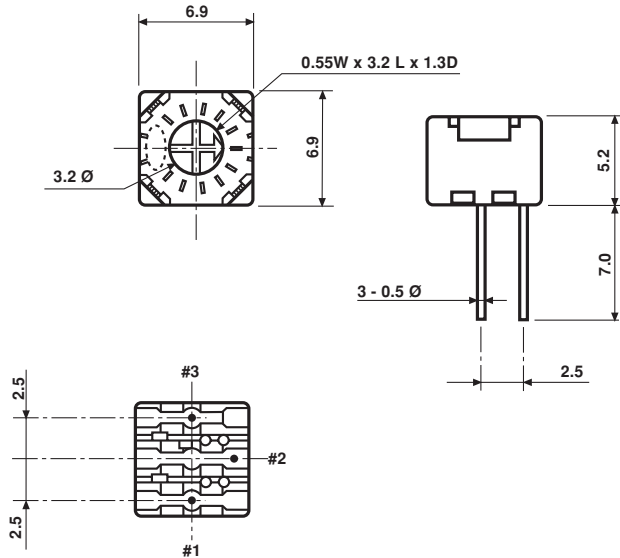
MECHANICAL SPECIFICATIONS	
PARAMETER	
Angle	270°
Torque	0.98 to 19.6mNm
Stop Strength	49mNm
Terminals	Solderable pins
Weight	0.02 oz

ORDERING INFORMATION		
76 MODEL	P TERMINAL P, R, W	502 RESISTANCE CODE
Example: 76 - P - 502		

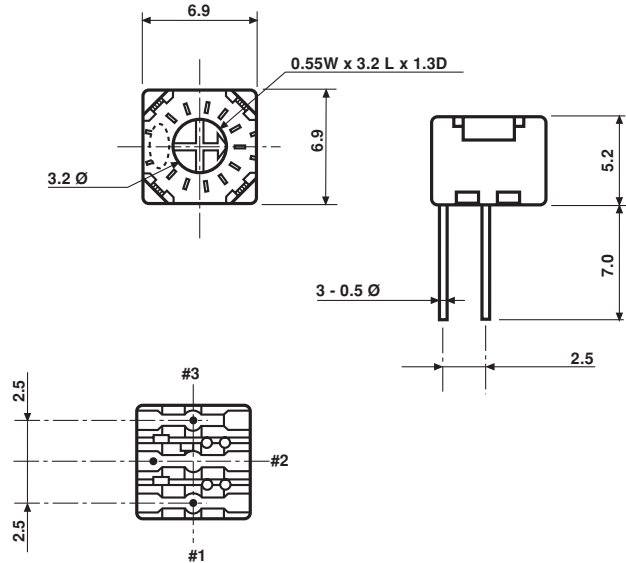


DIMENSIONS in millimeters

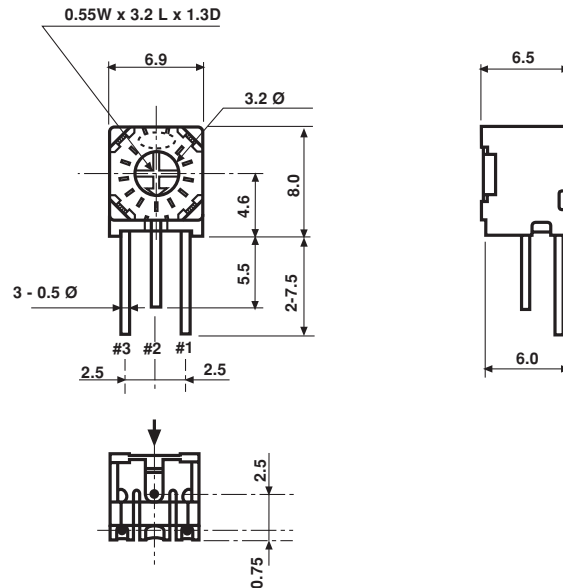
MODEL 76P



MODEL 76R



MODEL 76W



STANDARD RESISTANCE	
RESISTANCE Ω	RESISTANCE CODE
10	100
20	200
25	250
50	500
100	101
200	201
250	251
500	501
1000	102
2000	202
2500	252
5000	502
10000	103
20000	203
25000	253
50000	503
100000	104
200000	204
250000	254
500000	504
1000000	105
2000000	205
5000000	505

Model 76

Vishay Spectrol

1/4" (6.35mm) Square Single Turn
Cermet Trimmer



ENVIRONMENTAL SPECIFICATIONS

ENVIRONMENTAL SPECIFICATIONS	
PARAMETER	
Temperature Range	- 55°C to + 125°C
Temperature Coefficient	± 100ppm/°C
Seal Test	85°C
Humidity	MIL-STD-202 method 103, 96 hours (+ 2%ΔTR, 100MΩ IR)
Vibration	20g (1%ΔTR, 1%ΔVR)
Shock	100g (1%ΔTR, 1%ΔVR)
Load Life	1000 hours, 0.5 watt @ 70°C (+ 2%ΔTR, 2% or 2Ω), whichever is greater, CRV
Rotational Life	200 cycles

RESISTANCE VALUES

RESISTANCE VALUES	
Ohms	10R, 20R, 50R, 100R, 200R, 250R, 500R, 1K, 2K, 5K, 10K, 20K, 25K, 50K, 100K, 200K, 250K, 500K, 1M, 2M, 5M

MARKING

MARKING	
Unit Identification	Manufacturer's name and model number, IEC resistance value coding tolerance, data code and terminal identification