

770988-1 ✓ ACTIVE

MATE-N-LOK | Mini-Universal MATE-N-LOK

TE Internal #: 770988-1

Mini-Universal MATE-N-LOK, Power Contacts, Contact, Operating Voltage 600 VAC, Operating Voltage 600 VDC, Pre-Tin, 22 – 18AWG Wire Size

[View on TE.com >](#)



Connectors > Power Connectors > Power Contacts



Power Contact Type: **Contact**

Operating Voltage: **600 VDC**

Contact Mating Area Plating Material: **Pre-Tin**

Wire Size: **22 – 18 AWG**

Features

Product Type Features

Power Contact Type	Contact
Connector System	Wire-to-Wire
Connector & Contact Terminates To	Wire & Cable

Electrical Characteristics

Operating Voltage	600 VDC
-------------------	---------

Contact Features

Contact Mating Area Plating Material	Pre-Tin
Contact Current Rating (Max)	11.2 A
Contact Type	Socket
Contact Retention Within Housing	With
Mating Pin Diameter	1 mm [.039 in]
Contact Base Material	Brass
Wire Contact Termination Area Plating Material Thickness	2.54 μ m [100 μ in]
Wire Contact Termination Area Plating Material	Pre-Tin
Wire Contact Termination Area Plating Material Finish	Matte



Contact Orientation	Straight
---------------------	----------

Termination Features

Termination Method to Wire & Cable	Crimp
------------------------------------	-------

Mechanical Attachment

Connector Mounting Type	Cable Mount (Free-Hanging)
-------------------------	----------------------------

Wire Insulation Support	Without
-------------------------	---------

Dimensions

Wire Size	.3 – .9 mm ²
-----------	-------------------------

Accepts Wire Insulation Diameter Range	1.5 – 2.39 mm [.059 – .094 in]
--	--------------------------------

Usage Conditions

Operating Temperature Range	-55 – 105 °C [-67 – 221 °F]
-----------------------------	-----------------------------

Operation/Application

Circuit Application	Power
---------------------	-------

Industry Standards

CSA Rating	Certified
------------	-----------

Glow Wire Rating	Standard Part - Not Glow Wire
------------------	-------------------------------

VDE Tested	No
------------	----

Agency/Standard	CSA, UL
-----------------	---------

CSA File Number	LR 7189
-----------------	---------

UL Rating	Recognized
-----------	------------

UL File Number	E28476
----------------	--------

Packaging Features

Packaging Method	Bag
------------------	-----

Packaging Quantity	1000
--------------------	------

Other

Wire/Cable Type	Discrete Wire
-----------------	---------------

Wire Type	Stranded
-----------	----------

For Use With	Plug Housing
--------------	--------------

Product Compliance

[For compliance documentation, visit the product page on TE.com>](#)



EU RoHS Directive 2011/65/EU	Compliant
EU ELV Directive 2000/53/EC	Compliant
China RoHS 2 Directive MIIT Order No 32, 2016	No Restricted Materials Above Threshold
EU REACH Regulation (EC) No. 1907/2006	Current ECHA Candidate List: JUN 2020 (209) Candidate List Declared Against: JUN 2020 (209) Does not contain REACH SVHC
Halogen Content	Low Halogen - Br, Cl, F, I < 900 ppm per homogenous material. Also BFR/CFR/PVC Free
Solder Process Capability	Not applicable for solder process capability

Product Compliance Disclaimer

This information is provided based on reasonable inquiry of our suppliers and represents our current actual knowledge based on the information they provided. This information is subject to change. The part numbers that TE has identified as EU RoHS compliant have a maximum concentration of 0.1% by weight in homogenous materials for lead, hexavalent chromium, mercury, PBB, PBDE, DBP, BBP, DEHP, DIBP, and 0.01% for cadmium, or qualify for an exemption to these limits as defined in the Annexes of Directive 2011/65/EU (RoHS2). Finished electrical and electronic equipment products will be CE marked as required by Directive 2011/65/EU. Components may not be CE marked. Additionally, the part numbers that TE has identified as EU ELV compliant have a maximum concentration of 0.1% by weight in homogenous materials for lead, hexavalent chromium, and mercury, and 0.01% for cadmium, or qualify for an exemption to these limits as defined in the Annexes of Directive 2000/53/EC (ELV). Regarding the REACH Regulation, the information TE provides on SVHC in articles for this part number is based on the latest European Chemicals Agency (ECHA) 'Guidance on requirements for substances in articles' posted at this URL: <https://echa.europa.eu/guidance-documents/guidance-on-reach>

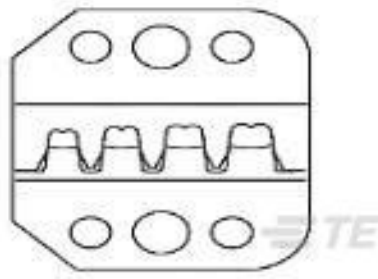
Compatible Parts



TE Model / Part # CAT-AM71-C83998EE
MINI CPC



TE Model / Part # 91522-1
CERTICRIMP 2, SAHT MINI UMNL



TE Model / Part # 90759-2
PROCRIMP DIE MINI UNIV MNL



TE Model / Part # 455830-1
INSERTION TOOL



TE Model / Part # 1-172338-2
4 CIR MINI-UMNL PLUG RED



TE Model / Part # 189727-1
EXTRACTION TOOL



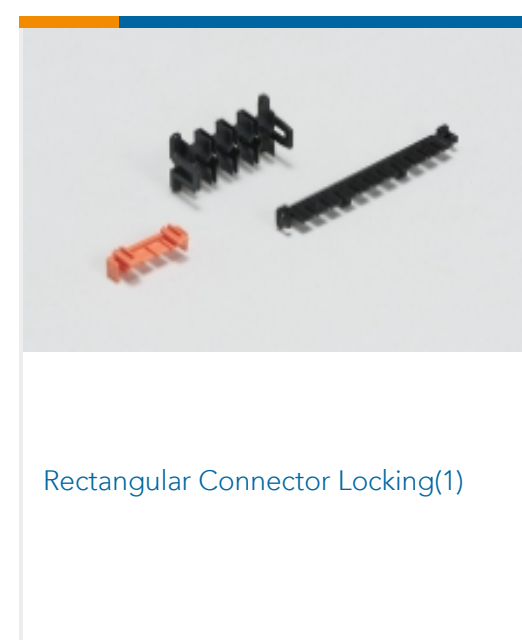
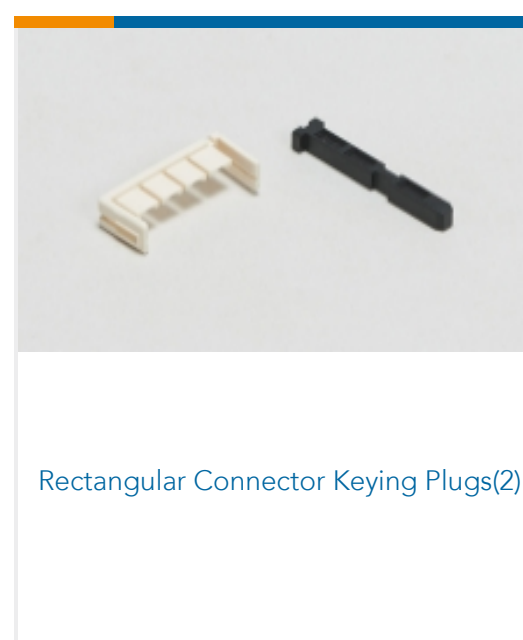
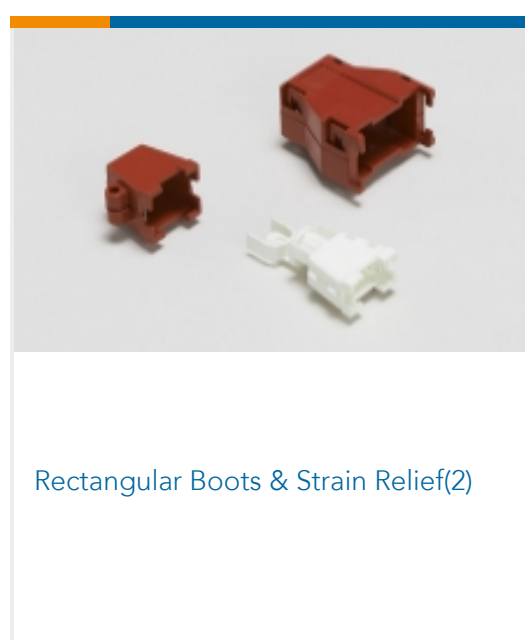
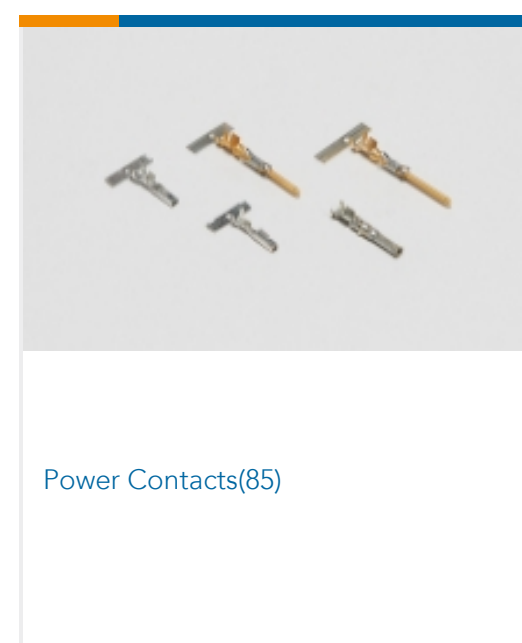
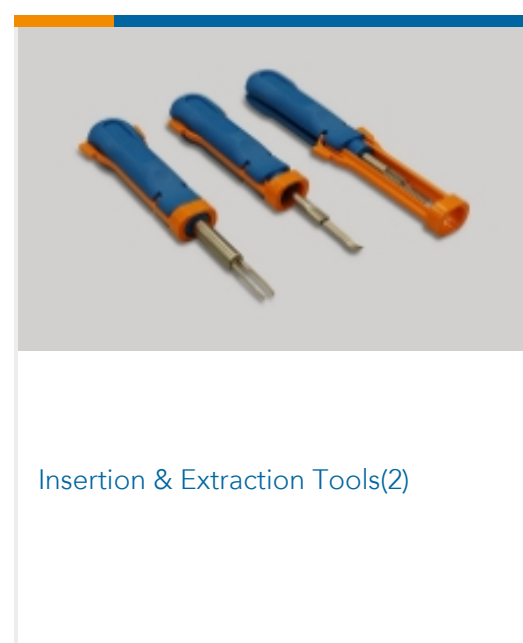
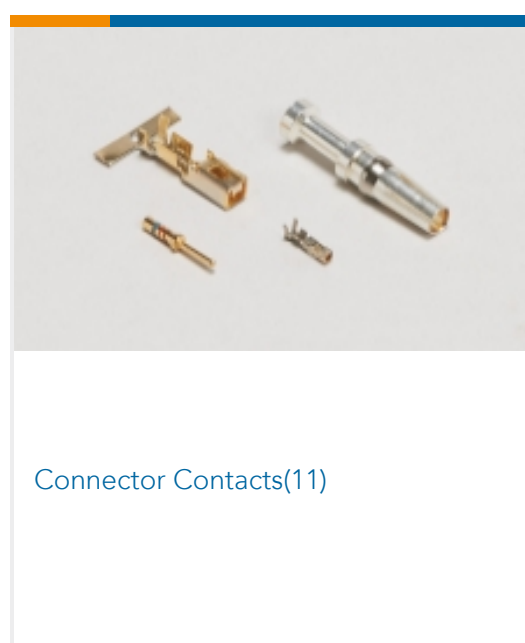
TE Model / Part # 172335-1
MINI UMNL PLUG HOUSING 1P



TE Model / Part # 172342-1
MINI UMNL PLUG HOUSING 15P

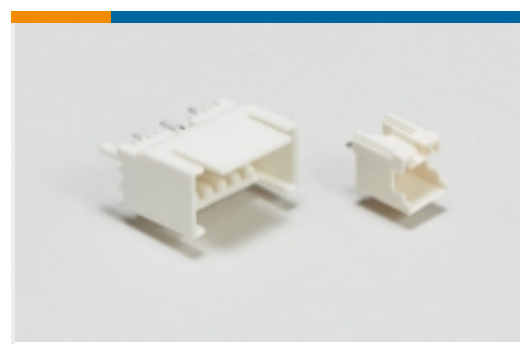


Also in the Series | Mini-Universal MATE-N-LOK

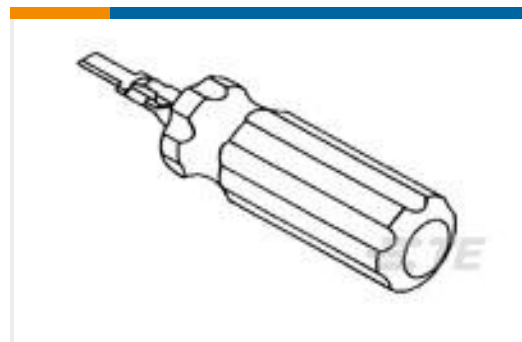




Rectangular Power Connectors(285)

Wire-to-Board Headers & Receptacles
(1)

Customers Also Bought

TE Model / Part #189727-1
EXTRACTION TOOLTE Model / Part #770986-1
MINI UMNL SOK 26-22AWG SN LPTE Model / Part #770987-1
MINI UMNL PIN 22-18AWG SN LPTE Model / Part #172166-1
3 CIR UNIV M-N-L PLUGTE Model / Part #172167-1
4 CIR UNIV M-N-L PLUGTE Model / Part #172165-1
2 CIR UNIV M-N-L PLUG NATLTE Model / Part #66506-9
PIN CONTACT, 20 DFTE Model / Part #794758-1
MINI UMNL WIRE SEAL, 18-26AWGTE Model / Part #770904-1
MINI UMNL SOK 22-18 AWG SNTE Model / Part #90759-1
PROCRIMP TL W/DIE MIN UNIV MNL

Documents

Product Drawings

[MINI UMNL SOK 22-18AWG SN LP](#)

English

CAD Files

[3D PDF](#)

3D

[Customer View Model](#)

[ENG_CVM_CVM_770988-1_E.2d_dxf.zip](#)



English

Customer View Model

[ENG_CVM_CVM_770988-1_E.3d_igs.zip](#)

English

Customer View Model

[ENG_CVM_CVM_770988-1_E.3d_stp.zip](#)

English

By downloading the CAD file I accept and agree to the [Terms and Conditions](#) of use.

Datasheets & Catalog Pages

[AMP Circular Connectors for Commercial Signal & Power Applications Continued](#)

English

[SOFT_SHELL_PIN_AND_SOCKET_CONNECTORS_CATALOG](#)

English

[1-1773458-0_MINI_UNIVERSAL_MATE_N_LOK_CONNECTOR_SYSTEM_ORG](#)

English

Product Specifications

[Engineering Report](#)

English

Product Environmental Compliance

[MD_770988-1_09192017033_dmtec](#)

English

[MD_770988-1_09192017033_dmtec](#)

English

Instruction Sheets

[Instruction Sheet \(U.S.\)](#)

English