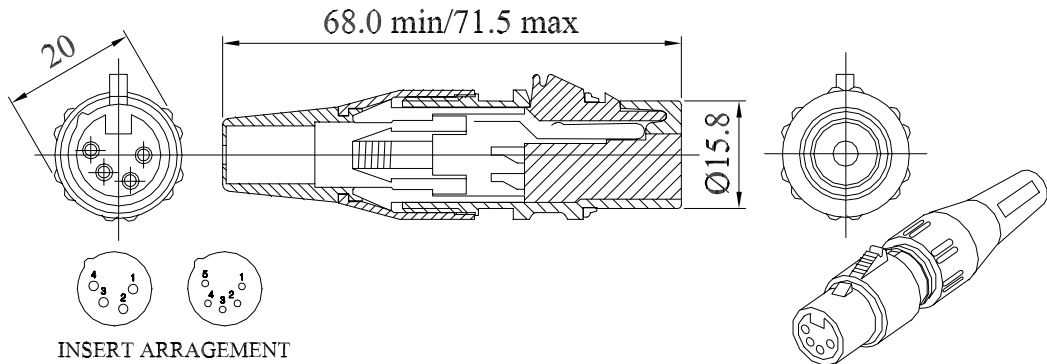


A range of audio and video connectors incorporating many innovative features. Assembled and disassembly is screwless and is achieved by a few quick turns of the back shell.

- A single piece latch which is simple to operate, mating smoothly with both lockable and non-latching connectors.
- The strain relief collet ensures a positive cable grip.
- Generous solder buckets enable easier cable assembly as well as catering for larger conductive sizes.
- A range of coloured plastic coding rings is also available, each with a single number moulded in, offering a quick and easy system of channel identification.
- Internal design feature allow for a quick and simple insert assembly.

**(Note: these connectors are not to be used for mains applications.)**

**Dimensions**



Deltron Part No	Silver Contacts		Gold Contacts	
	Nickel	Black	Nickel	Black
4-Way	800-0400	804-0400	802-0400	806-0400
5-Way	800-0500	804-0500	802-0500	806-0500

**Mechanical Properties**

Cable retention	Chuck and screw collar
Cable range	Ø 2.8mm to Ø 8.0mm
Housing	Zinc high pressure diecasting satin nickel or black chrome
Contact base	Valox DR48
Contacts	Brass, 3 microns silver anti-tarnish finish or 0.5 microns gold
Latch	Zinc high pressure diecasting satin nickel or black chrome
Strain Relief	P.V.C. (black)
Sealing ring	Santoprene (UL 94 HB)
Chuck	Acetal (UL 94 HB)
Screw collar	polycarbonate, 10% glass-filled lexan, black
Screen	Spring Steel, 3 microns silver anti-tarnish
Interchangeable	Spring on coloured rings
Connector ident	Acetal (UL 94 HB)
Ident options	Black, Brown, Red, Orange, Yellow, Green, Blue, Violet, Grey, White
Operating Temp	-30°C to +80°C
Insertion force	20N
Withdrawal force	10N
Min No. insertions	5000
<b>Electrical Properties</b>	
Number of contacts	4 or 5
Rated current per contact	10 or 7.5 Amps
Maximum wire size (solid)	13 or 14 AWG 3.0 or 2.5 mm <sup>2</sup>
Cap. Between contacts	7 or 7 pF
Rated voltage	250 Volts ac
Test voltage	1500 Volts ac
Contact resistance	3m Ω
Insulation resistance	1G Ω

CONVERTED FROM PS859 ISS2 (14.07.97) IN JAN 2003

DrgNo 800-804-802-806 4&5 WAY TITLE PROFESSIONAL QUALITY – CABLE SOCKET ALL DIMENSIONS IN MM ANGLES IN DECIMAL DEGREES

<b>DELTRON Components</b>	ISSUE 2	GENERAL SPECIFICATION FOR MULTIPOLE CONNECTOR	CUSTOMER		FILTER REF	
			Aprvd Date 03/02/03	Aprvd By MC	Drwn by BS	Scale: NTS