

Series 850C

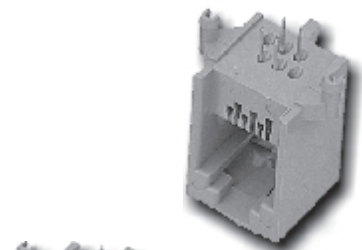
SPECIFICATIONS

技術資料

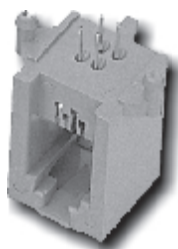
Side Entry Modular Jack

PCB Type

(Mates with modular plug conforming to FCC part 68, subpart F)



850-C66-04



850-C44-04

MATERIAL

- **Housing:** Glass Filled Polyester UL 94 V-0
- **Contact:** Phosphor Bronze $\phi 0.46$
- **Plating:** Gold plating over Nickel

ELECTRICAL

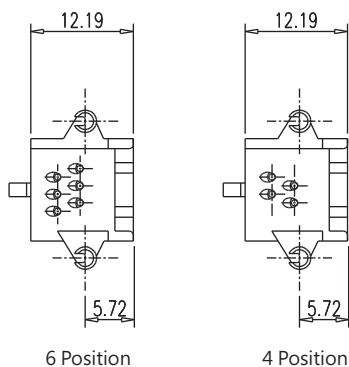
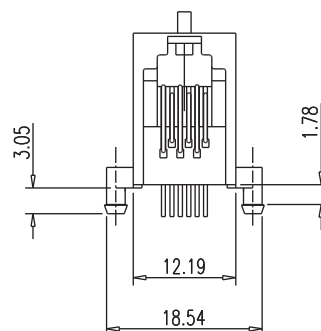
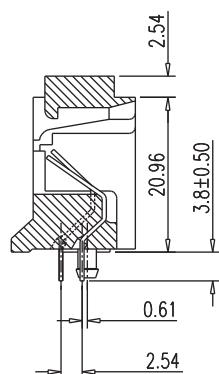
- **Voltage Rating:** 125 VAC RMS Min.
- **Current Rating:** 1.5 AMP Min.
- **Contact Rating:** 30 Mini Ω Max.
- **Insulation Resistance:** 500 Meg Ω Min. at 500V DC.
- **Dielectric Strength:** 1000 VAC RMS 60Hz, 1Min.
- **Operating Life:** 250 Cycles Min.
- **PCB Retention pre-solder:** 1 LB Min.
- **PCB Retention Post-solder:** 10 LBS Min.

MECHANICAL

- **Storage:** -40°C to $+85^{\circ}\text{C}$
- **Operation:** 0°C to 70°C

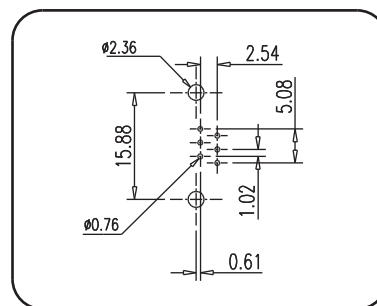


SERIES 850-C



6 Position

4 Position



PC Board Layout

HOW TO ORDER 排序整理

8 5 0 - C X X - 0 X

Series No.
系列編號

No. of Position

No. of Contact

Plating

1	15 μ "
2	30 μ "
3	50 μ "
4	6 μ "