



Labeling of single wires, cables and conduits

Label sleeves KT (standard sleeve)



-40 to 140 °F



PVC



VO

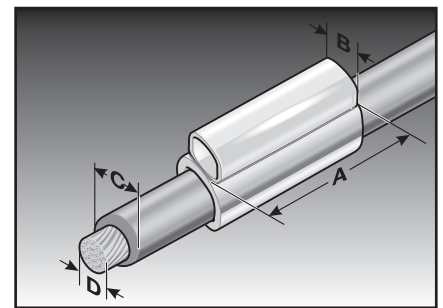
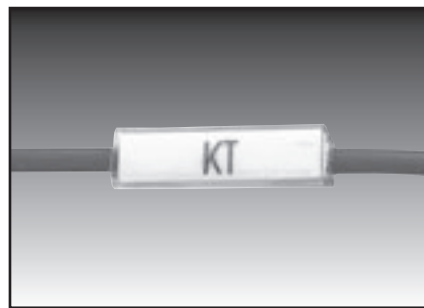
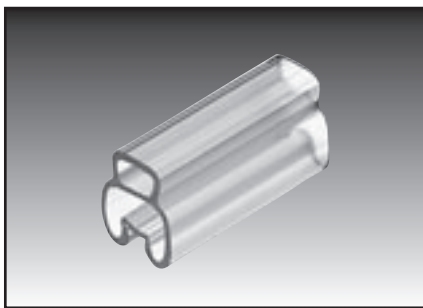


Standard label sleeve

High-quality, fully transparent label sleeves for labeling wires, cables and conduits. They hold the characters (BK) and the ACS labels type KS or DM.

- Application range from 0.0003 sq.in. to 0.186 sq.in. is covered through 7 size variants
- The sleeves come in different lengths

The special KT 2/20x9 or KT 2/35x9 sleeves are for multi-line single wire labeling. They hold the ACS labels type KSO or DM 9...



Type	Order no.	Application range from – to inch	Core cross section * from – to mm ²	for label plate	Maximum characters BK23/BK30	Pack qty.
Sleeve length 0.47 in. (12 mm) (A)		(C)	(D)	(B)	(B)	
KT 0/12	86201210	0.05–0.08	0.22–0.5	KS 4/12; DM 4...	5/4	2000
KT 1/12	86201212	0.07–0.10	0.5–1.0	KS 4/12; DM 4...	5/4	2000
KT 2/12	86201214	0.10–0.16	0.75–2.5	KS 4/12; DM 4...	5/4	2000
KT 3/12	86201216	0.16–0.26	2.5–6.0	KS 4/12; DM 4...	5/4	1000
KT 4/12	86201218	0.24–0.39	10.0–25.0	KS 4/12; DM 4...	5/4	1000
KT 5/12	86201220	0.35–0.59	25.0–50.0	KS 4/12; DM 4...	5/4	1000
KT 6/12	86201222	0.59–0.91	50.0–120.0	KS 4/12; DM 4...	5/4	500
Sleeve length 0.71 in. (18 mm) (A)		(C)	(D)	(B)	(B)	
KT 0/18	86201810	0.05–0.08	0.22–0.5	KS 4/18; DM 4...	7/6	2000
KT 1/18	86201812	0.07–0.10	0.5–1.0	KS 4/18; DM 4...	7/6	2000
KT 2/18	86201814	0.10–0.16	0.75–2.5	KS 4/18; DM 4...	7/6	2000
KT 3/18	86201816	0.16–0.26	2.5–6.0	KS 4/18; DM 4...	7/6	1000
KT 4/18	86201818	0.24–0.39	10.0–25.0	KS 4/18; DM 4...	7/6	1000
KT 5/18	86201820	0.35–0.59	25.0–50.0	KS 4/18; DM 4...	7/6	750
KT 6/18	86201822	0.59–0.91	50.0–120.0	KS 4/18; DM 4...	7/6	300
Sleeve length 0.91 in. (23 mm) (A)		(C)	(D)	(B)	(B)	
KT 0/23	86202310	0.05–0.08	0.22–0.5	KS 4/23; DM 4...	10/7	2000
KT 1/23	86202312	0.07–0.10	0.5–1.0	KS 4/23; DM 4...	10/7	2000
KT 2/23	86202314	0.10–0.16	0.75–2.5	KS 4/23; DM 4...	10/7	1000
KT 3/23	86202316	0.16–0.26	2.5–6.0	KS 4/23; DM 4...	10/7	1000
KT 4/23	86202318	0.24–0.39	10.0–25.0	KS 4/23; DM 4...	10/7	1000
KT 5/23	86202320	0.35–0.59	25.0–50.0	KS 4/23; DM 4...	10/7	500
KT 6/23	86202322	0.59–0.91	50.0–120.0	KS 4/23; DM 4...	10/7	250

Label sleeves KT (standard sleeve)

Type	Order no.	Application range from – to inch	Core cross section * from – to mm ²	for label plate	Maximum characters BK23/BK30	Pack qty.
Sleeve length 1.18 in. (30 mm) (A)		(C)	(D)	(B)	(B)	
KT 0/30	86203010	0.05–0.08	0.22–0.5	KS 4/30; DM 4...	13/10	1000
KT 1/30	86203012	0.07–0.10	0.5–1.0	KS 4/30; DM 4...	13/10	1500
KT 2/30	86203014	0.10–0.16	0.75–2.5	KS 4/30; DM 4...	13/10	1000
KT 3/30	86203016	0.16–0.26	2.5–6.0	KS 4/30; DM 4...	13/10	1000
KT 4/30	86203018	0.24–0.39	10.0–25.0	KS 4/30; DM 4...	13/10	500
KT 5/30	86203020	0.35–0.59	25.0–50.0	KS 4/30; DM 4...	13/10	500
KT 6/30	86203022	0.59–0.91	50.0–120.0	KS 4/30; DM 4...	13/10	200
Multi-line inscription						
Sleeve length 0.79 in. (20 mm) (A)		(C)	(D)	(B)	(B)	
KT 2/20x9	86202050	0.10–0.16	0.75–2.5	KSO 20x9; DM 9...	-	1000
Sleeve length 1.38 in. (35 mm) (A)		(C)	(D)	(B)	(B)	
KT 2/35x9	86203550	0.10–0.16	0.75–2.5	KSO 35x9; DM 9...	-	500

* Single wire type H05/07V-K