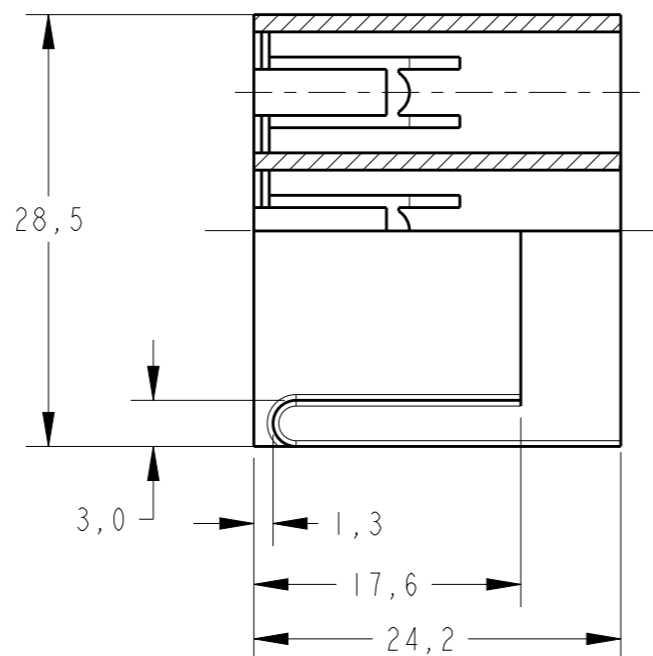
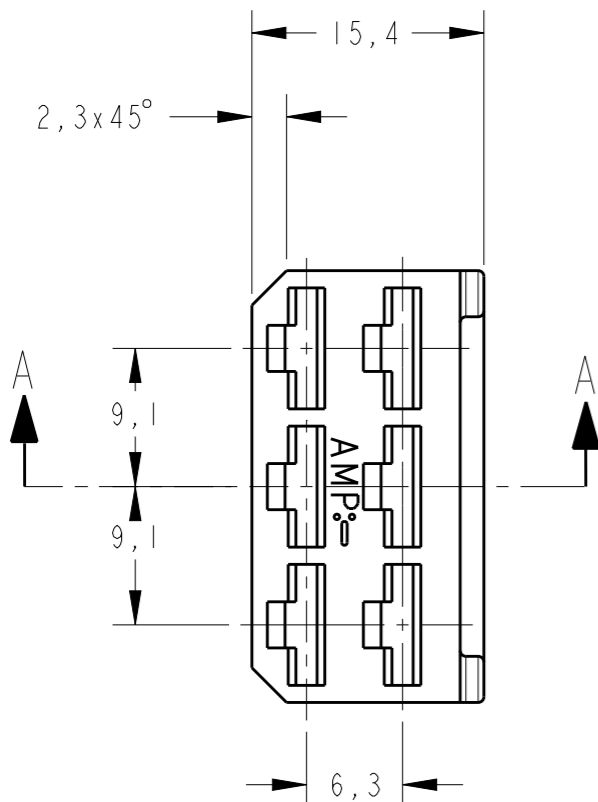


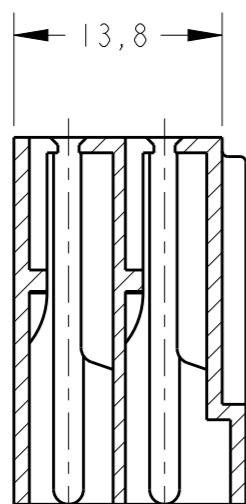
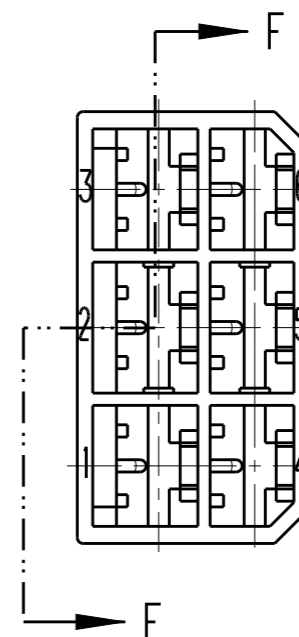
creo
 Creo Parametric 2.0
DO NOT REVISE
EXCEPT BY CAD

REVISIONS

P	LTR	DESCRIPTION	DATE	DWN	APVD
		REVISED BY ECO-08-013026	28MAY2008	NCL	LWP
F4		REVISED BY ECO 16-005810	15APR2016	HC	WLS



CORTE SECTION F - F



CORTE SECTION A - A


1-INTERCAMBIÁVEL COM PN. 280314

1-INTERCHANGEABLE WITH PN. 280314.

~~2~~ ~~MATÉRIA PRIMA CONFORME ESPECIFICAÇÃO IEC 60335-1, GWT 750°C, SEM CHAMA.~~
~~RAW MATERIAL ACC. TO SPEC. IEC 60335-1, GWT 750°C, WITHOUT FLAME.~~

OBSOLETE

CINZA / GRAY	PA 6.6	880297-3
PRETO / BLACK	PA 6.6	880297-2
NATURAL	2 PA 6.6 V 0	2 880297 0
NATURAL	PA 6.6	880297-1
FINISH	MATERIAL	PART NUMBER

THIS DRAWING IS A CONTROLLED DOCUMENT.		DWN M.R.BRIZ 01APR2004	 TE Connectivity					
DIMENSIONS: mm		CHK P.L.FARIA 01APR2004				NAME -		
TOLERANCES UNLESS OTHERWISE SPECIFIED: 0 PLC ± 1 PLC ±0,3 2 PLC ± 3 PLC ± 4 PLC ± ANGLES ±1°		APVD L.W.PRADO 01APR2004				PRODUCT SPEC -		
MATERIAL SEE TABLE		FINISH SEE TABLE				APPLICATION SPEC -		
-		Customer Drawing	WEIGHT -	SIZE A3	CAGE CODE -	DRAWING NO C-880297	RESTRICTED TO -	
			SCALE 2:1	SHEET 1 OF 1	REV F4			