

ROHS Compliant



台灣駿品端子股份有限公司

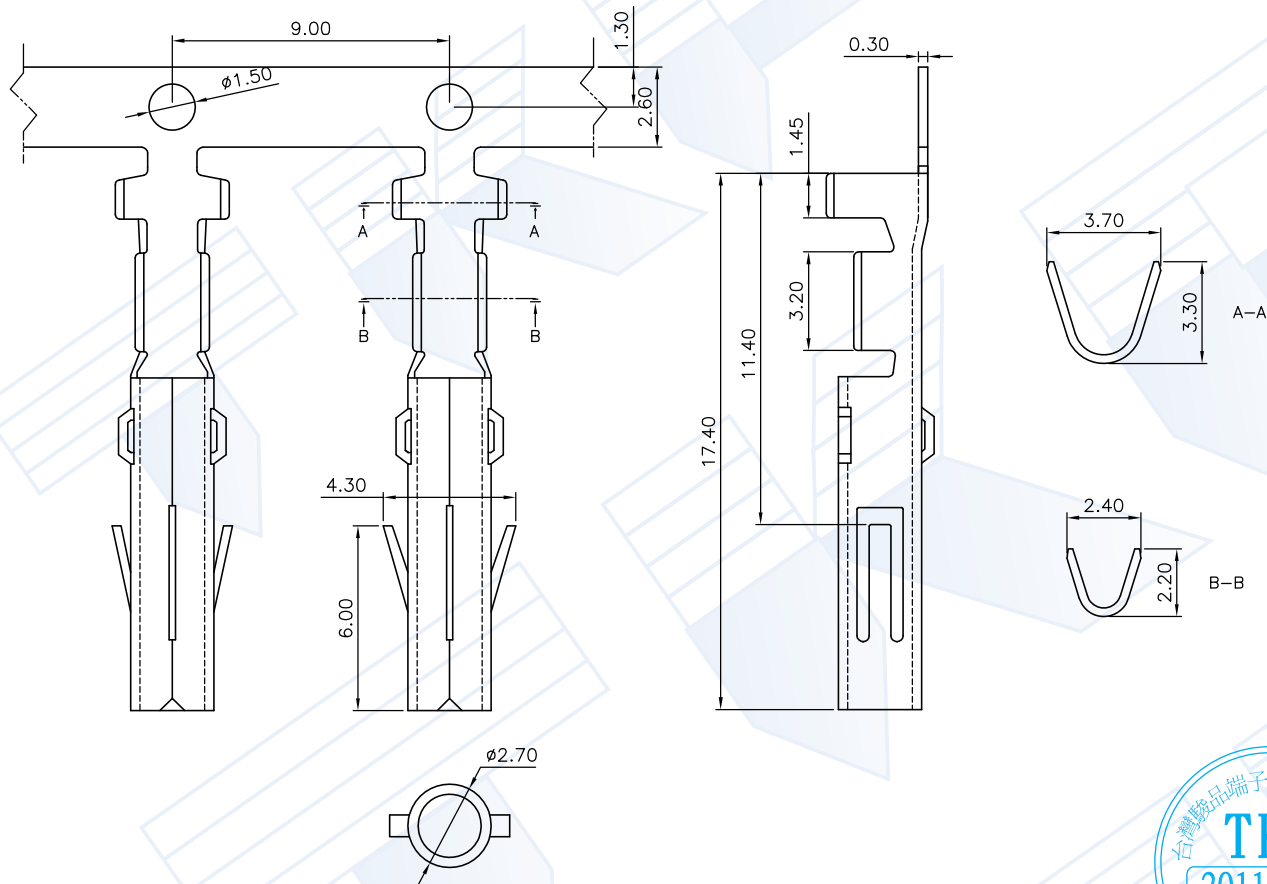
TAIWAN KING PIN TERMINAL CO.,LTD

台北縣樹林市俊德街 23 號

TEL:886-2-26895596.26886112 FAX:886-2-26886110

E-mail:info@tkp.com.tw

http://www.tkp.com.tw



NOTE :

- * Material : Brass or Phosphor Bronze (Lead Free)
- * Finish : Plated Tin over Nickel
- * Electrical rating : TUV250V 7A, AC/DC
- * Applicable wire AWG #20- #18
- * Used in 5050 series housings



PART NO.	8850T(LF)			Part NO.	Material	Finish	Remark	APPROVAL	
				8850T(LF)	Brass	Plated Tin		DRAWN	詹雅茹
TITLE	5.08mm Wire to Board			8850T-A(LF)	Phosphor Bronze	Plated Tin		CHECKED	張明遠
THIRD ANGLE	SCALE	UNIT	SHEET NO	TOLERANCE	DATE	ODD NUMBERS	REV	APPROVED	陳泓宇
	3:1	mm	1/1	.X± 0.30 .XXX±0.10 .XX± 0.20 ANGLE ± 2°	2011.03.22	ENG950778	A2		
	508-029		A508-005						