

ROHS Compliant

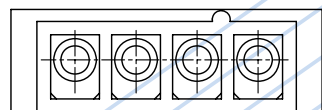
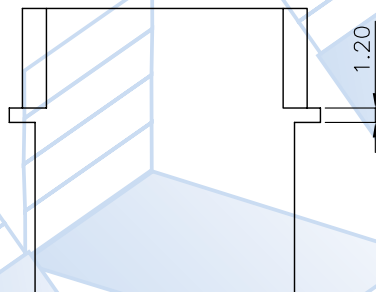
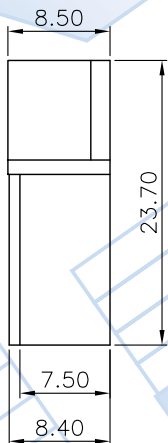
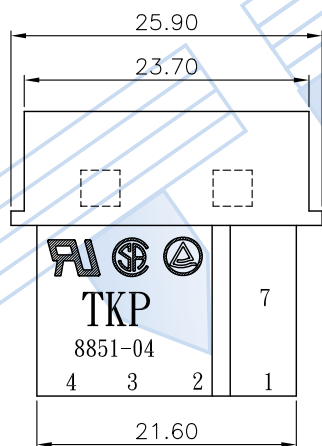
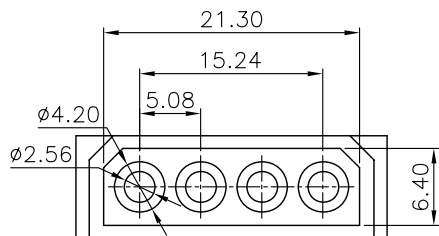


台灣駿品端子股份有限公司

TAIWAN KING PIN TERMINAL CO.,LTD

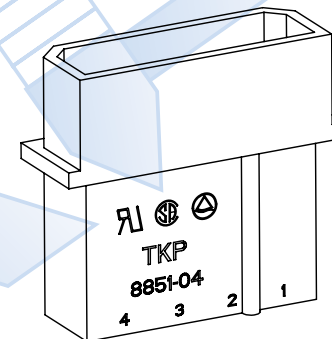
台北縣樹林市俊德街 23 號

TEL:886-2-26895596.26886112 FAX:886-2-26886110
E-mail:tkp01.a88@msa.hinet.net http://www.tkp.com.tw



NOTE :

- * Material : Nylon UL 94V-2
- * Electrical rating : UL 250V 3A , AC/DC
CSA 250V 5A , AC/DC
TUV 250V 7A , AC/DC
- * Color : Natural
- * Accepts 8851T(LF) terminal
- * Mates with 870156 IDT or 5050 series receptacle housings



PART NO.	8851-04			Part NO.	Material	Color	Remark	APPROVAL
TITLE	5.08mm Wire to Board							DRAWN: 廖艷云
THIRD ANGLE	SCALE	UNIT	SHEET NO	TOLERANCE	DATE	ODD NUMBERS	REV	CHECKED: 王忠
	1.25:1	mm	1/1	.X± 0.30 .XXX±0.10 .XX± 0.20 ANGLE±2°	2006.07.04	ENG950001	A0	APPROVED: 馮凌杰
	508-034		A508-006					