

ROHS Compliant



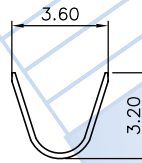
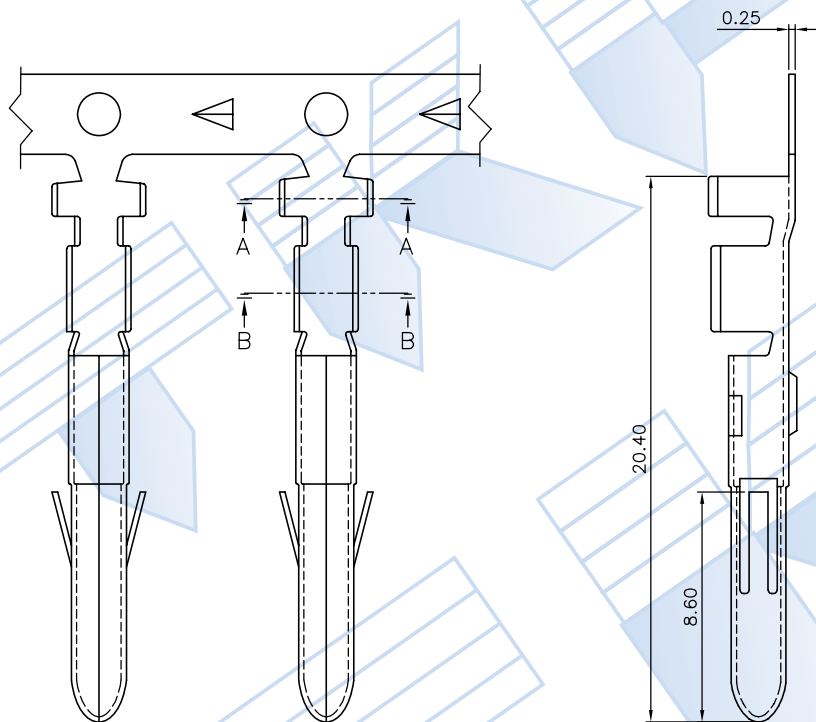
台灣駿品端子股份有限公司

TAIWAN KING PIN TERMINAL CO.,LTD

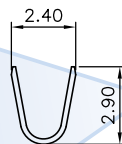
台北縣樹林市俊德街 23 號

TEL:886-2-26895596.26886112 FAX:886-2-26886110

E-mail:info@tkp.com.tw http://www.tkp.com.tw



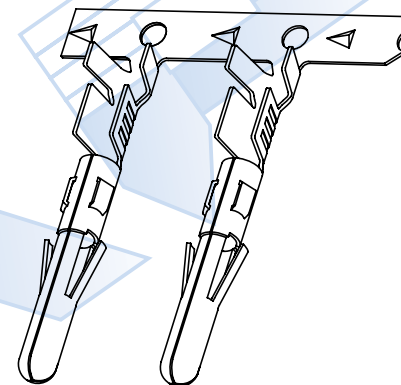
A-A



B-B

NOTE :

- \* Material : Brass / Bronze (Lead Free)
- \* Electrical rating : TUV 250V 7A , AC/DC
- \* Applicable wire AWG #20- #18
- \* Used in 8851 series housings



PART NO.	8851T(LF)			Part NO.	Material	Finish	Remark	APPROVAL
TITLE	5.08mm Wire to Board			8851T(LF)	Brass			DRAWN: 唐雅茹
				8851T-A(LF)	Phosphor Bronze			CHECKED: 唐雅茹
THIRD ANGLE	SCALE	UNIT	SHEET NO	TOLERANCE	DATE	ODD NUMBERS	REV	APPROVED: 陳泓宇
	2.5:1	mm	1/1	.X± 0.30 .XXX±0.10 .XX± 0.20 ANGLE ±2°	2009.04.13	ENG950307	A2	
	508-035		A508-006					