

ROHS Compliant

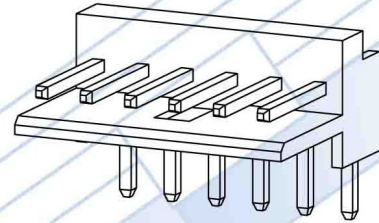


台灣駿品端子股份有限公司

TAIWAN KING PIN TERMINAL CO.,LTD

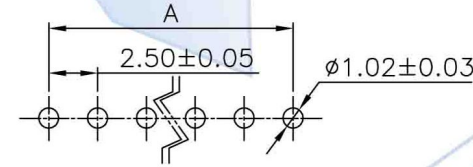
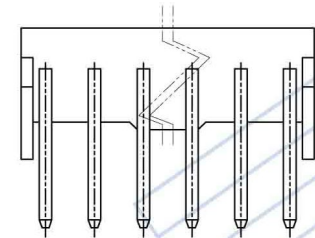
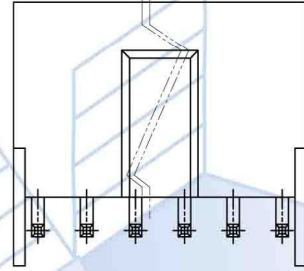
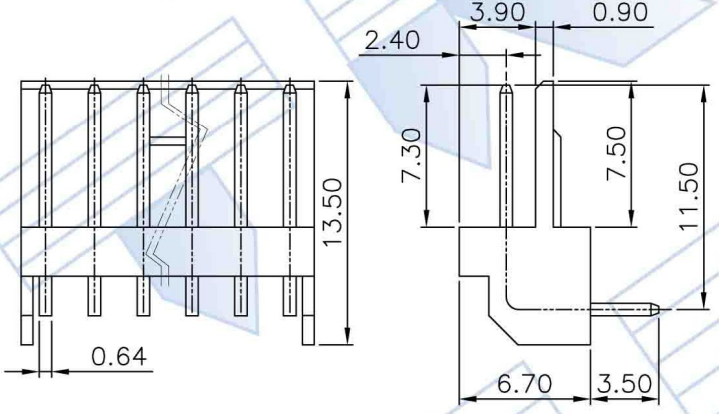
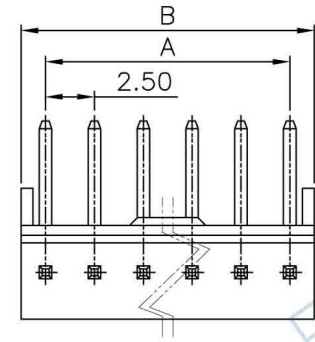
新北市樹林區俊德街 23 號

TEL:886-2-26895596.26886112 FAX:886-2-26886110
E-mail:info@tkp.com.tw http://www.tkp.com.tw



NOTE :

- * Material : Nylon UL 94V-0
- * Standard color : White
- * Contact : Brass
- * Finish : Plated Tin over Nickel
- * Electrical rating : UL 30V 8.3A, AC/DC
CSA 250V 3A , AC/DC
- * .025" (0.64mm) right angle square pins
- * Friction lock
- * Mates with 8871 series housings
- * 2-12 circuits available



RECOMMENDED PCB LAYOUT



CIRCUITS	PART NO.	DIM. A	DIM. B	CIRCUITS	PART NO.	DIM. A	DIM. B
2	8871L-02-02	2.50	5.00	8	8871L-08-02	17.50	20.00
3	8871L-03-02	5.00	7.50	9	8871L-09-02	20.00	22.50
4	8871L-04-02	7.50	10.00	10	8871L-10-02	22.50	25.00
5	8871L-05-02	10.00	12.50	11	8871L-11-02	25.00	27.50
6	8871L-06-02	12.50	15.00	12	8871L-12-02	27.50	30.00
7	8871L-07-02	15.00	17.50				

PART NO.	8871L-XX-02			Part NO.	Material	Color	Remark	APPROVAL
TITLE	2.50mm Wire to Board							DRAWN: 高琇莹
THIRD ANGLE	SCALE	UNIT	SHEET NO	TOLERANCE	DATE	ODD NUMBERS	REV	CHECKED: 張明遠
	FREE	mm	1/1	.X±0.30 .XXX±0.10 .XX±0.20 ANGLE±2°	2013.03.19	ENG951607	A2	APPROVED: 陳泓宇
	250-071		A250-019					

