

»» Features

- Mini ISO automotive relay.
- SPNC, SPNO, SPDT, DPNO contact configurations.
- NO contacts switch 50A resistive load, NC contacts switch 30A resistive load, 100,000 ops., 23°C.
- Operating ambient temperature -40°C to 125°C.
- Available with plain cover, flanged cover, bracketed cover, skirted cover, and weather proof cover.
- Available with PCB terminals or quick connect terminals.
- Optional resistor or diode for coil transient suppression.
- RoHS Compliant ; ELV Compliant.



»» Type List

Terminal style	Contact form	Enclosure style		
		Dust cover	Flux tight	Sealed type washable
Socket terminal	1A (SPNO)	896-1AH-D	896-1AH-C	896-1AH-S
		896H-1AH-D	896H-1AH-C	896H-1AH-S
	1C (SPDT)	896-1CH-D	896-1CH-C	896-1CH-S
		896H-1CH-D	896H-1CH-C	896H-1CH-S
	2A (DPNO)	896-2AH-D	896-2AH-C	896-2AH-S
		896H-2AH-D	896H-2AH-C	896H-2AH-S
PCB terminal	1A (SPNO)	896P-1AH-D	896P-1AH-C	896P-1AH-S
		896HP-1AH-D	896HP-1AH-C	896HP-1AH-S
	1C (SPDT)	896P-1CH-D	896P-1CH-C	896P-1CH-S
		896HP-1CH-D	896HP-1CH-C	896HP-1CH-S
	2A (DPNO)	896P-2AH-D	896P-2AH-C	896P-2AH-S
		896HP-2AH-D	896HP-2AH-C	896HP-2AH-S

Terminal style	Contact form	Enclosure style	
		Flanged cover (dust cover)	Flanged cover (flux tight)
Socket terminal	1A (SPNO)	896-1AH-D1	896-1AH-C1
		896H-1AH-D1	896H-1AH-C1
	1C (SPDT)	896-1CH-D1	896-1CH-C1
		896H-1CH-D1	896H-1CH-C1
	2A (DPNO)	896-2AH-D1	896-2AH-C1
		896H-2AH-D1	896H-2AH-C1

Terminal style	Contact form	Enclosure style	
		Dust cover with steel bracket	Flux tight with steel bracket
Socket terminal	1A (SPNO)	896-1AH-D1S	896-1AH-C1S
		896H-1AH-D1S	896H-1AH-C1S
	1C (SPDT)	896-1CH-D1S	896-1CH-C1S
		896H-1CH-D1S	896H-1CH-C1S
	2A (DPNO)	896-2AH-D1S	896-2AH-C1S
		896H-2AH-D1S	896H-2AH-C1S

Terminal style	Contact form	Designation (provided with)	Enclosure style	
			Dust cover with shroud and steel bracket	Dust cover with weather proof and steel bracket
Socket terminal	1C (SPDT)	Resistor	896H-1CH-D1SF-R1	896H-1CH-D1SW-R1

»» Ordering Information

896 - 1AH - C - -

1 2 3 4 5 6 7 8 9

- | | |
|---|---|
| 1. 896 -- Basic series designation | D1S -- Dust cover with steel bracket |
| 2. Blank -- Standard type | C1S -- Flux tight with steel bracket |
| H -- High power type | S1S -- Sealed type washable with steel bracket |
| 3. Blank -- Socket terminal | D1SF -- Dust cover with shroud and steel bracket |
| P -- PCB terminal | D1SW -- SDust cover with weather proof and steel bracket |
| 4. 1AH -- Single pole normally open, contact material AgSnO | DUSW -- Dust cover with weather proof |
| 1CH -- Single pole double throw, contact material AgSnO | 6. Blank -- Standard type |
| 2AH -- Double pole double make, contact material AgSnO | R1 -- Coil parallel with resistor 1/2W for 12V 680Ω , 24V 2700Ω |
| 2AUH -- Single pole normally open, contact material AgSnO (2×# 87 terminal) | 7. Blank -- Standard type |
| 5. D -- Dust cover | T -- Special requirement for Tin plated terminal |
| C -- Flux tight | 8. Blank -- Standard type |
| S -- Sealed type washable | 001 -- Coil parallel with diode 1N4007 the diode anode on # 85 terminal |
| D1 -- Flanged cover (dust cover) | 002 -- Coil parallel with diode 1N4007 the diode cathode on # 85 terminal |
| C1 -- Flanged cover (flux tight) | 9. <input type="checkbox"/> -- Coil voltage (please refer to the coil rating data for the availability) |
| S1 -- Flanged cover (sealed type washable) | |

»» Contact Rating

Type	896 1A	896 1C	896 2A
Resistive load	40A 14VDC	NO : 40A 14VDC NC : 30A 14VDC	2×15A 14VDC

Type	896H 1A	896H 1C	896H 2A
Resistive load	50A 14VDC 20A 28VDC	NO : 50A 14VDC, 20A 28VDC NC : 30A 14VDC, 15A 28VDC	2×30A 14VDC 2×10A 28VDC

»» Coil Rating (DC)

Rated voltage	Rated current ±10 % at 23°C		Coil resistance ±10 % at 23°C		Max. continuous voltage at 85°C ⁽¹⁾	Pick up voltage (Max.) at 23°C	Drop out voltage (Min.) at 23°C	Power consumption at rated voltage	
	without resistor	with resistor	without resistor	with resistor				without resistor	with resistor
12V	133 mA	150 mA	90 Ω	80 Ω	133 % of rated voltage	65 % of rated voltage	10 % of rated voltage	approx. 1.6W	approx. 1.8W
24V	67 mA	75 mA	360 Ω	320 Ω					

Note : (1) With continuous contact current 20A.

»» Specification

Contact material	AgSnO alloy	
Contact voltage drop ⁽¹⁾	Typ. 50mV at 10A	
Operate time ⁽¹⁾	20ms Max.	
Release time ⁽¹⁾	20ms Max.	
Insulation resistance ⁽¹⁾	20MΩ Min. (DC 500V)	
Dielectric strength ⁽¹⁾	Between open contact	: AC 500V , 50/60Hz 1min.
	Between contact and coil	: AC 500V , 50/60Hz 1min.
Vibration resistance	Operating extremes	10~500Hz , 5.0G
	Damage limits	10~500Hz , 5.0G
Shock resistance	Operating extremes	10G
	Damage limits	100G
Life expectancy	Mechanical	10,000,000 ops. (frequency 18,000 ops./hr)
	Electrical	100,000 ops. (frequency 1,200 ops./hr)
Operating ambient temperature	-40~+125°C (no freezing)	
Weight	Approx. 40 g	

Note : (1) Initial value. Operate and release time excluding contact bounce.

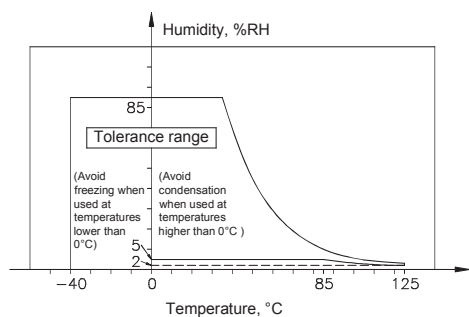
(2) Unless otherwise specified, all tests are under room temperature and humidity.

(3) Consider the heat of PCB is necessary, please check the actual condition of PCB.

(4) Do not use the relay exceeding the coil rating, contact rating and life expectancy, or this may cause the risk of overheating.

(5) To assure optimum performance, avoid the relay from dropping, hitting, or other unnecessary shocks.

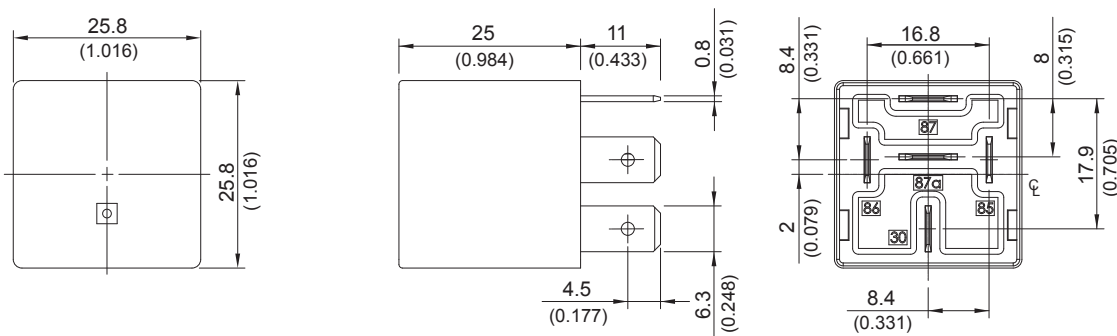
- (6) Dust cover version is recommended. If there is cleaning process and sealed type is selected, the vent-hole should be removed after the process.
- (7) Use suitable harnesses and bus bars according to the current as below :
 - 40A type : Min. 10.0 mm²
 - 50A type : Min. 21.1 mm²
- (8) Usage, transport and storage conditions
 - 1. Temperature: -40~+125°C
 - 2. Humidity: 5 to 85% R.H.
 - 3. Pressure: 86 to 106 kPa
 - Furthermore, the humidity range varies with the temperature. So, use relays within the range indicated in the graph below.



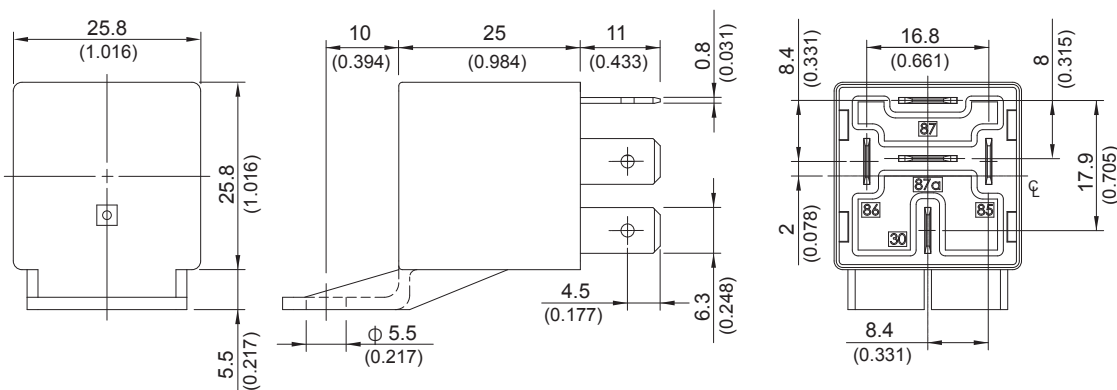
(9) Please contact Song Chuan for the detailed information.

»» Outline Dimensions

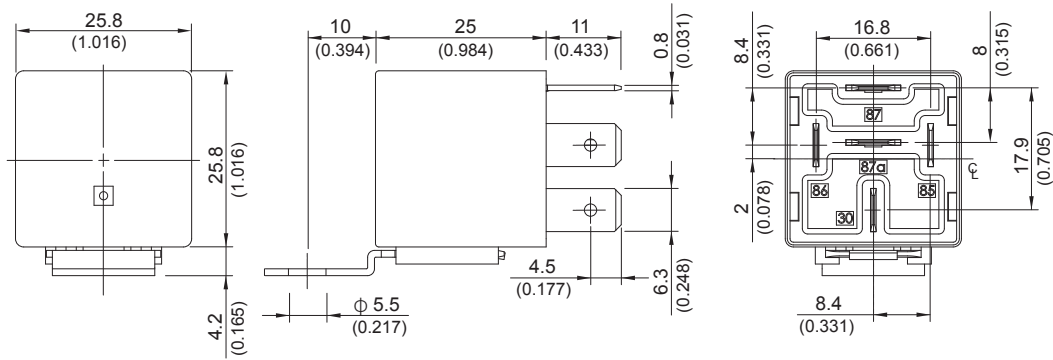
◆ 896,896H (C,D,S)



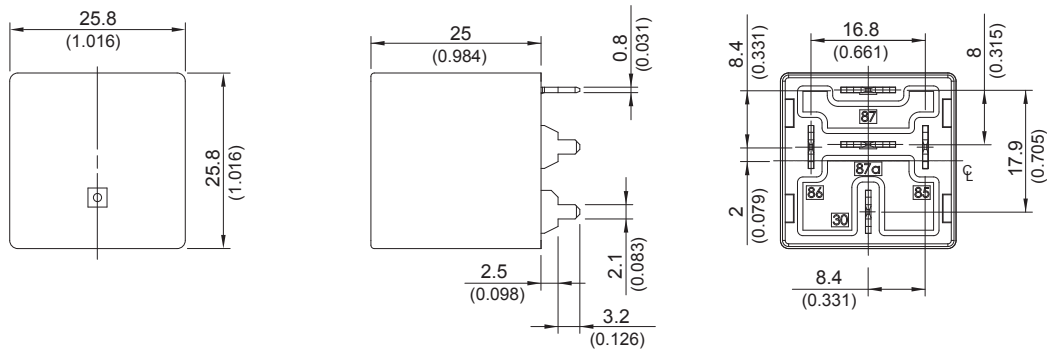
◆ 896,896H (C1,D1,S1)



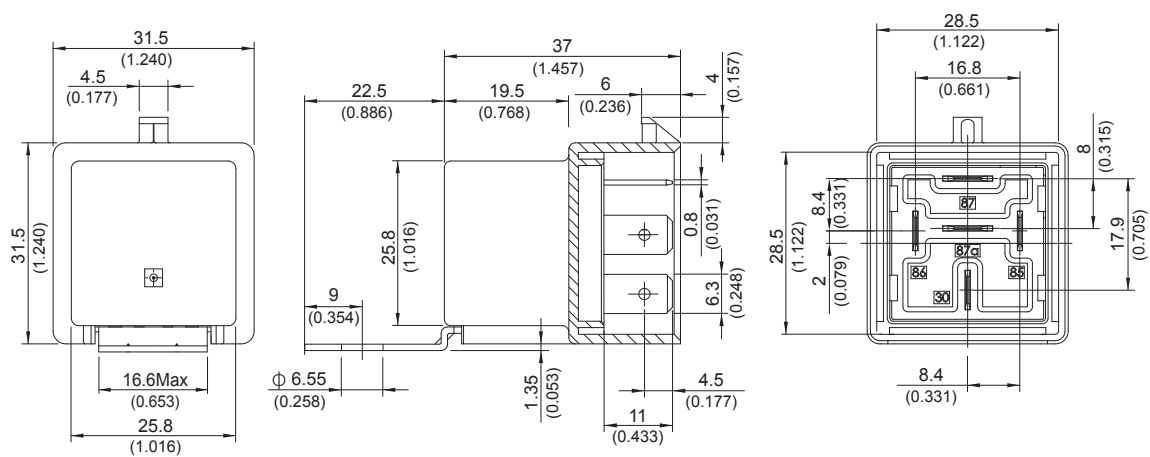
◆ 896,896H (C1S,D1S,S1S)



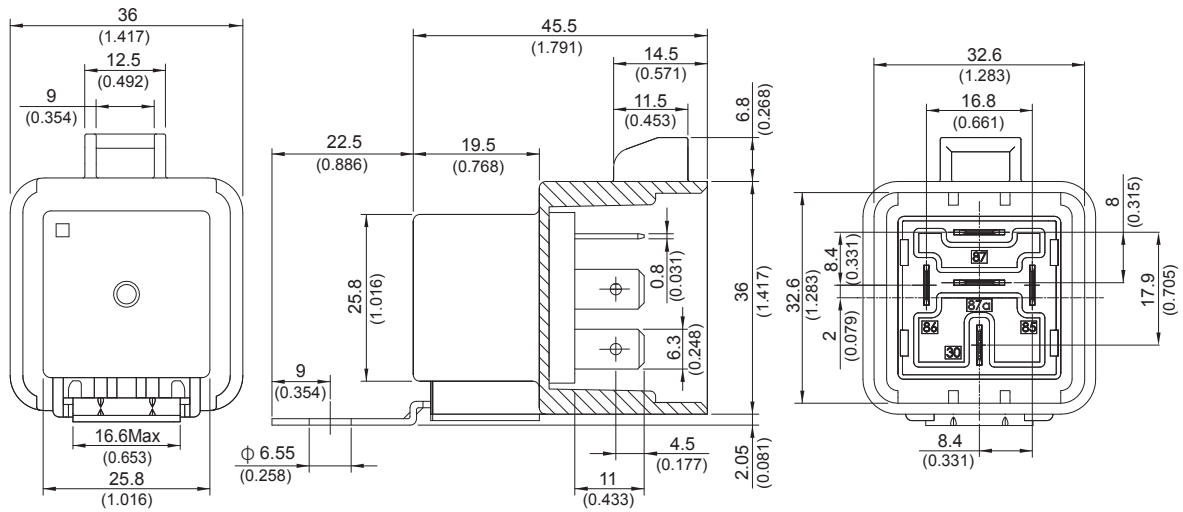
◆ 896P,896HP (C,D,S)



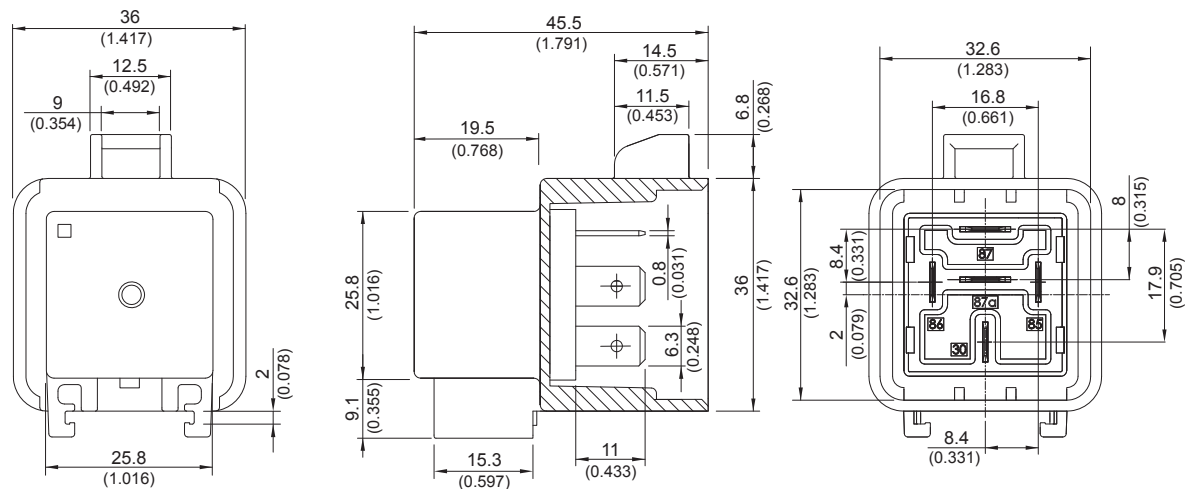
◆ 896H (D1SF)



◆ 896H (D1SW)



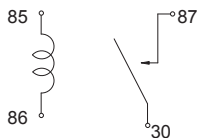
◆ 896H (DUSW)



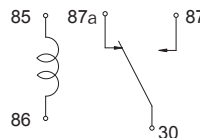
TOLERANCE:
 LESS THAN: 1(0.039) ±0.1(0.004)
 5(0.197) ±0.3(0.012)
 20(0.787) ±0.5(0.020)
 MORE THAN: 20(0.787) ±1(0.039)

»» Wiring Diagram
 BOTTOM VIEW

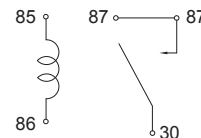
1A



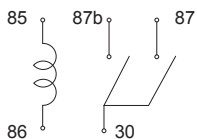
1C



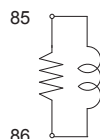
2AU



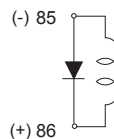
2A



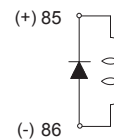
R1



001

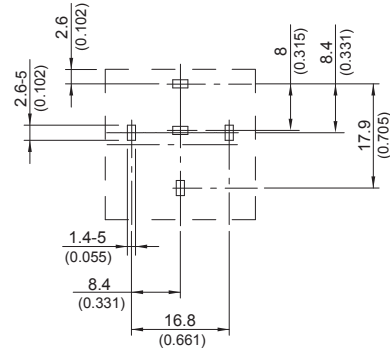


002

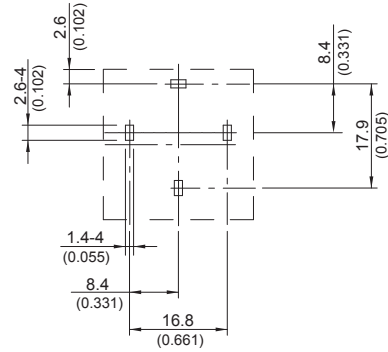


»» PC Board Layout
BOTTOM VIEW

1C/2A



1A



»» Engineering Data

