

THIS DRAWING IS UNPUBLISHED.

RELEASED FOR PUBLICATION

ALL RIGHTS RESERVED.

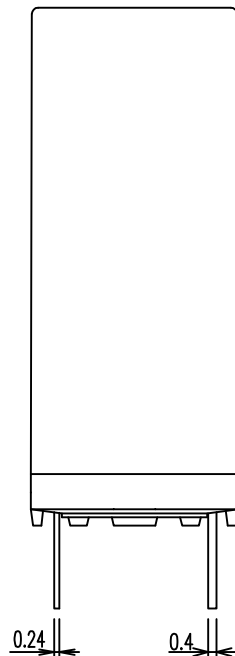
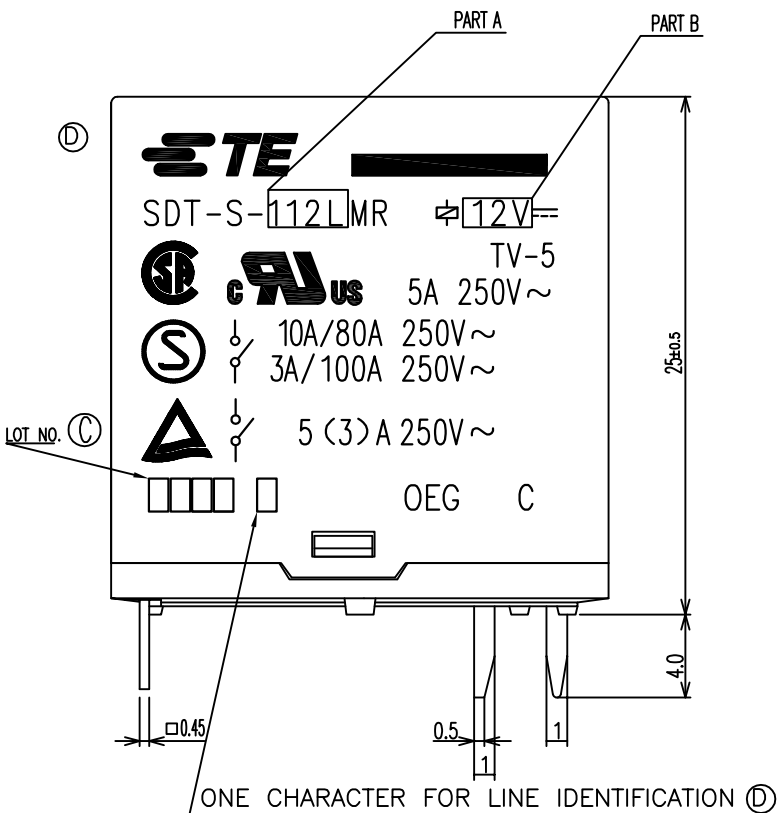
© COPYRIGHT - By TE Connectivity

LOC HB

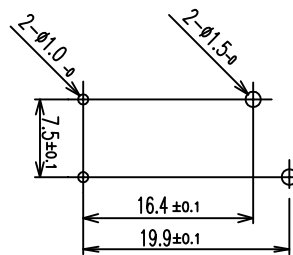
DIST -

REVISIONS

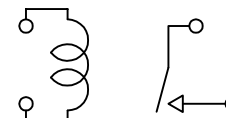
P	LTR	DESCRIPTION	DATE	DWN	APVD
C		CHANGE DATE CODE&TE LOGO ECO-08-007869	16-APR-08	CY.ZBH.Y	
D		1.CHANGE TE LOGO,ADD LINE IDENTIFICATION,3.TERMINALS TOLERANCE CLARIFICATION ECO-12-005305	26-MAR-12	YS.H	BH.Y



DRILLING DIAGRAM BOTTOM VIEW (2/1)



CONNECTION DIAGRAM BOTTOM VIEW (2/1)



NOTES
 ① 1.LOT NO. SYSTEM AS FOLLOWING:

 WEEK
 YEAR

- ② 2.TERMINAL DIMENSIONS BEFORE SOLDER DIP
- ③ 3.FOR THE TIN-PLATING OF THE PINS: +0.1mm FOR WIDTH, THICKNESS AND DIAMETER +0.5mm FOR LENGTH

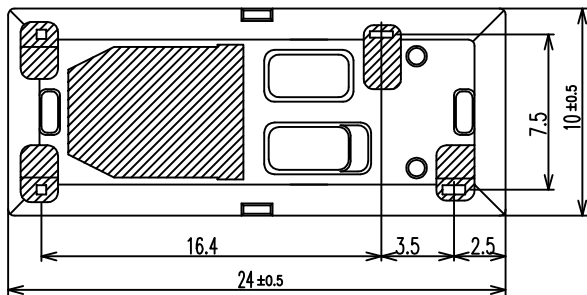


Diagram dimension	Tolerance
max. 1mm	±0.1mm
1 - 3mm	±0.2mm
min. 3mm	±0.3mm

THIS DRAWING IS A CONTROLLED DOCUMENT.		DWN H.Sasaki	TE Connectivity	
		CHK Y.Oikawa		
		APVD A.Nagai	NAME	
		PRODUCT SPEC	SDT-LMR SPEC,601	
		APPLICATION SPEC		
		WEIGHT	SIZE A3	CAGE CODE 00779
		CUSTOMER DRAWING	DRAWING NO C=1461102	RESTRICTED TO
			SCALE 4:1	SHEET 1 OF 2
				REV D

THIS DRAWING IS UNPUBLISHED.

RELEASED FOR PUBLICATION

-. - .

© COPYRIGHT - By TE Connectivity

ALL RIGHTS RESERVED.

LOC	DIST	REVISIONS					
HB	-	P	LTR	DESCRIPTION	DATE	DWN	APVD
		-		SEE SHEET 1	-	-	-

⑤	1461102-7	SDT-S-118LMR ,601	18V	SDT-S-118LMR	g
	1461102-6	SDT-S-124LMR ,601	24V	SDT-S-124LMR	f
	1461102-5	SDT-S-112LMR ,601	12V	SDT-S-112LMR	e
	1461102-4	SDT-S-109LMR ,601	9V	SDT-S-109LMR	d
	1461102-3	SDT-S-106LMR ,601	6V	SDT-S-106LMR	c
	1461102-2	SDT-S-105LMR ,601	5V	SDT-S-105LMR	b
	1461102-1	SDT-S-103LMR ,601	3V	SDT-S-103LMR	a
	PART NO	EC TYPE NAME	PART B	PART A	No

RELAY TYPE

		EPOXY RESIN	SEAL (BASE & TERMINAL)	15
		EPOXY RESIN	SEAL (BASE & YOKE)	14
		JUEW	MAGNETIC WIRE	13
94V-0		P.B.T	CASE	12
94V-0		P.B.T	BOBBIN	11
	SOLDER DIP	C.P WIRE	COIL TERMINAL	10
94V-0		NYRON	CARD	9
		AgSnO	MOVABLE CONTACT	8
		AgSnO	NO.CONTACT	7
		STEEL	HINGE SPRING	6
	SOLDER DIP	Cu ALLOY	NO.TERMINAL	5
	SOLDER DIP	Cu ALLOY	MOVABLE SPRING	4
	NIP	STEEL	CORE	3
	NIP	STEEL	ARMATURE	2
	NIP	STEEL	YOKE	1
INCOMBUSTIBILITY	TREATMENT	MATERIAL	DESCRIPTION	ITEM

THIS DRAWING IS A CONTROLLED DOCUMENT.		DWN	H.Sasaki	
DIMENSIONS: mm		CHK	Y.Oikawa	
TOLERANCES UNLESS OTHERWISE SPECIFIED:		APVD	A.Nagai	
0 PLC ± -		PRODUCT SPEC	-	
1 PLC ± -		APPLICATION SPEC	-	
2 PLC ± -		WEIGHT	-	
3 PLC ± -		CUSTOMER DRAWING	-	
4 PLC ± -		SCALE	4:1	
ANGLES ± -		SHEET	2 of 2	
MATERIAL	FINISH	SIZE	CAGE CODE	DRAWING NO
-	-	A3	00779	C=1461102
RESTRICTED TO		-		
REV		D		



SDT-LMR SPEC,601