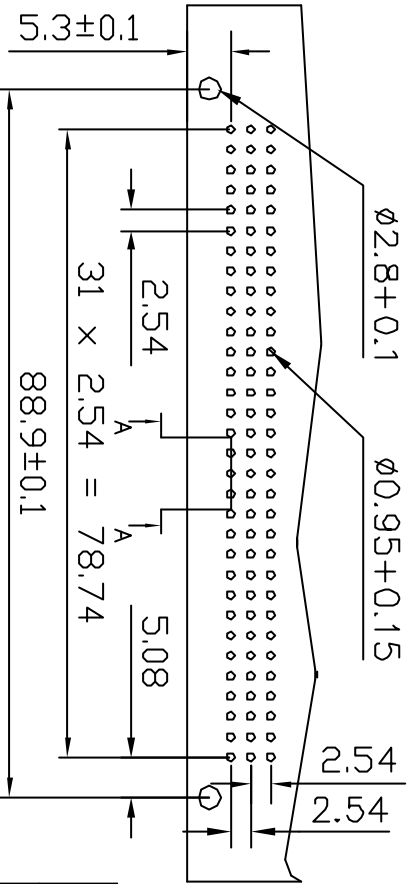
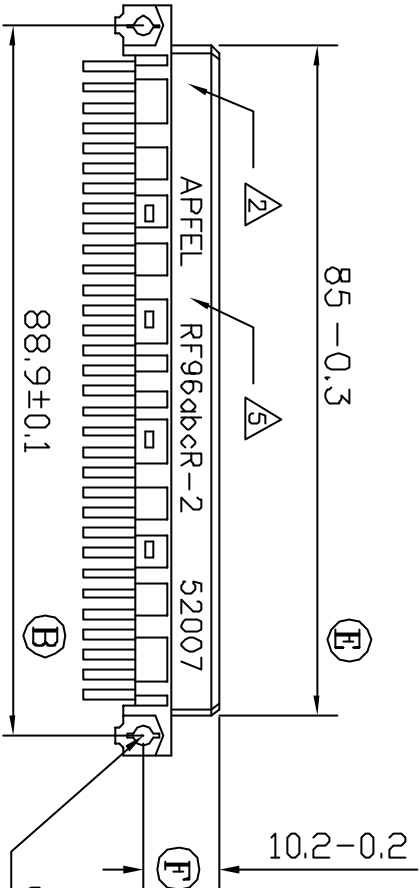
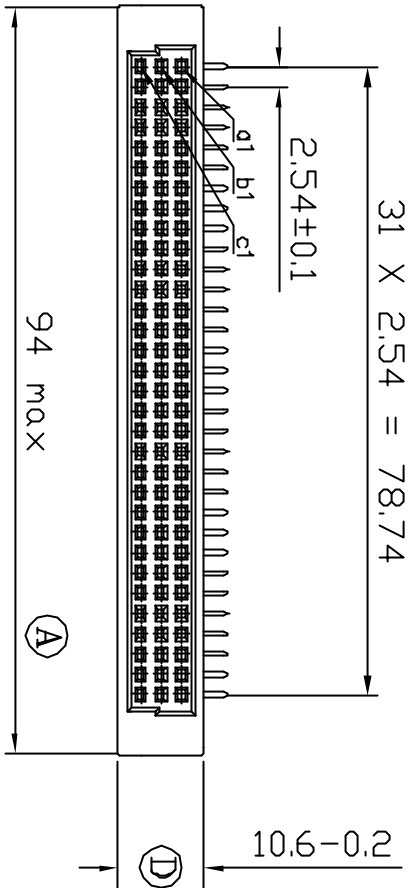
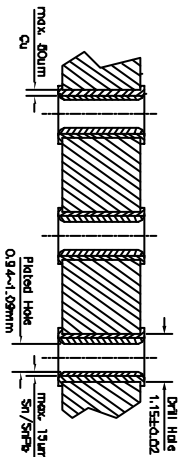
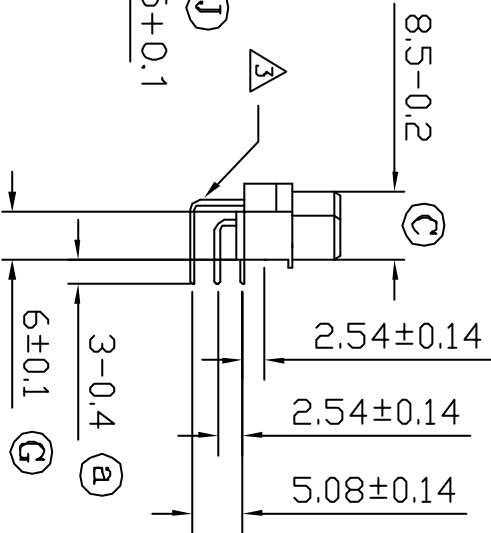


31 X 2.54 = 78.74



NOTES:

- ① CONNECTOR MEETS REQUIREMENT OF DIN 41612
- ② MATERIAL :  
-HOUSING : GLASS-FILLED PBT, COLOR GREY, UL 94V-0  
-CONTACT : PHOSPHOR BRONZE
- ③ CONTACT TAIL DIMENSION  
THICKNESS : 0.35 ±0.02mm  
WIDTH : 0.60 ±0.04mm
- ④ TAIL LENGTH : 3 - 0.4mm  
CONTACT FINISH (OPTION IN PART NUMBER)  
-1: 30u"(0.75um) GOLD PLATING ON MATING AREA, TIN PLATING ON TAIL AREA,  
FLASH GOLD PLATING ON NON-MATING AREA, NICKEL UNDERPLATE ALL OVER  
-2: 15u"(0.38um) GOLD PLATING ON MATING AREA, TIN PLATING ON TAIL AREA,  
FLASH GOLD PLATING ON NON-MATING AREA, NICKEL UNDERPLATE ALL OVER  
BLANK: FLASH GOLD PLATING ON MATING AREA AND NON-MATING AREA.  
TIN PLATING ON TAIL AREA, NICKEL UNDERPLATE ALLOWER
- ⑤ CONNECTOR PRINTED WITH COMPANY NAME, PART NUMBER, AND BATCH NUMBER



RECOMMENDED HOLE SPECIFICATIONS  
SECTION A-A  
SCALE 6 : 1

DESCRIPTION : FEMALE, TYPE R, 96/64 CONTACTS,  
RIGHT ANGLED SOLDER CONNECTOR  
CUSTOMER DRAWING

PART NUMBER

|                  |                 |
|------------------|-----------------|
| NO.1 RFR96abcR-1 | NO.4 RFR64acR-1 |
| NO.2 RFR96abcR-2 | NO.6 RFR64acR-2 |
| NO.3 RFR96abcR   | NO.8 RFR64acR   |

**APPFL**

MILLIMETRES  
X.XXX ±0.012  
X.XX ±0.05  
X.X ±0.1  
X ±0.25

|                   |              |              |                          |
|-------------------|--------------|--------------|--------------------------|
| DRAWN<br>STP Ling | UNITS<br>MM  | ANGLE<br>±1° | DRAWING NO.<br>FD011.DWG |
| CHECKED<br>H Shen | SCALE<br>1:1 | REV<br>A     |                          |

RECOMMENDED PCB HOLE LAYOUT

COMPONENT SIDE

SCALE 1 : 1

| REV | DESCRIPTION OF REVISIONS | DATE       | DRAWN   | CHECKED |
|-----|--------------------------|------------|---------|---------|
| A   | FIRST RELEASE            | 09/26/1997 | ST Ling | H Shen  |