

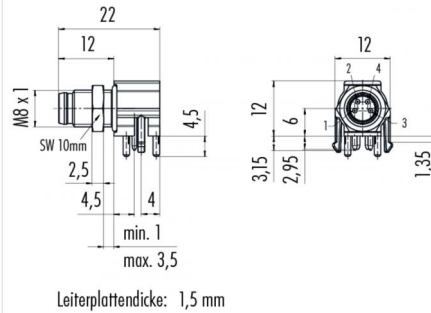
Product description **Contacts: 4, male panel mount connector, M8x1, angled, UL approval**

Area **M8 Series 768/718**  
Order number **99 3391 282 04**

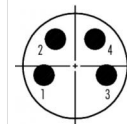
### Illustration



### Scale drawing



### Contact arrangement



|   | X     | Y     |
|---|-------|-------|
| 1 | -1,70 | -0,50 |
| 2 | -1,08 | 1,45  |
| 3 | 1,70  | -0,50 |
| 4 | 1,08  | 1,45  |

- 1 braun/brown
- 2 weiß/white
- 3 blau/blue
- 4 schwarz/black

You can find the assembly instructions on the next page.

## Technical data

### General values

|                         |                |
|-------------------------|----------------|
| Connector design        | Flanschstecker |
| Termination             | tauchlöten     |
| Wire gauge (mm)         | -              |
| Upper limit temperature | 85 °C          |
| Lower limit temperature | -40 °C         |

### Cable data

|            |    |
|------------|----|
| Approval 1 | UL |
|------------|----|

### Electrical values

|                           |                   |
|---------------------------|-------------------|
| Rated voltage             | 60 V              |
| Rated impulse voltage     | 1500 V            |
| Pollution degree          | 3                 |
| Overvoltage category      | II                |
| Insulating material group | II                |
| Rated current (40 °C)     | 4 A               |
| Volume resistivity        | ≤ 3 mΩ            |
| EMC compliance            | nicht geschirmt   |
| Degree of protection      | IP67              |
| Mechanical operation      | > 100 Steckzyklen |

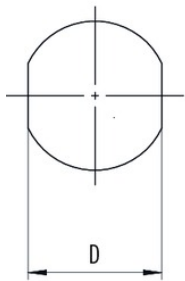
### Material

|                       |                           |
|-----------------------|---------------------------|
| Contact material      | CuZn (brass)              |
| Contact plating       | Au (Gold)                 |
| Contact body material | PA                        |
| Housing material      | CuZn (Messing vernickelt) |

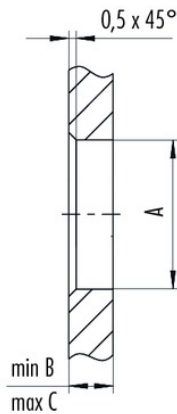
Product description **Contacts: 4, male panel mount connector, M8x1, angled, UL approval**  
 Area **M8 Series 768/718**  
 Order number **99 3391 282 04**

Assembly instructions / Panel cut-out

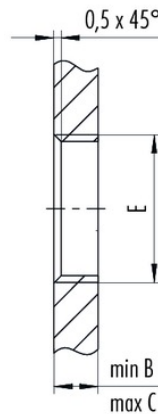
Mit Fläche als Verdrehenschutz



Mit Durchgangsbohrung



Mit Gewinde, einschraubbar

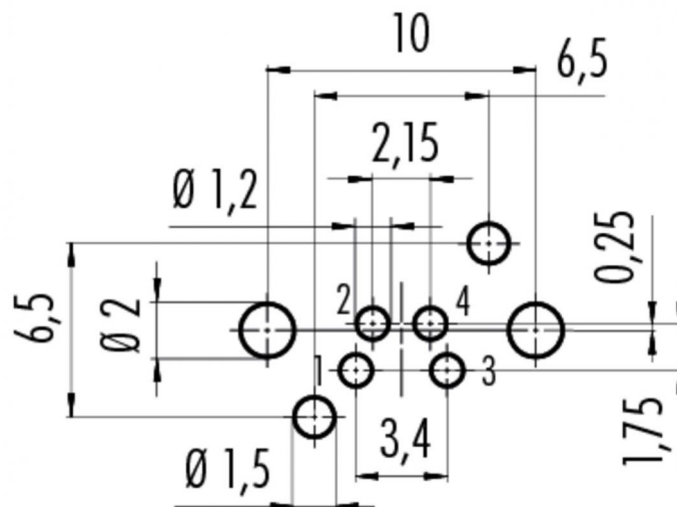


| Gewinde E  | A    | B   | C   | D   |
|------------|------|-----|-----|-----|
| M8 x 0,5   | 8,1  | 2,5 | 4,5 | 7,1 |
| M10 x 0,75 | 10,1 | 2,5 | 5,0 | 9,1 |

Anzugsdrehmoment 1 Nm

Assembly instructions / Panel cut-out

Winkelversion  
Angled version



Product description **Contacts: 4, male panel mount connector, M8x1, angled, UL approval**

Area **M8 Series 768/718**

Order number **99 3391 282 04**

## Sicherheitshinweise

The connectors are designed for use in plant, control system and electrical equipment. The end user is responsible for checking whether the connectors are suitable for use in other applications.

Connectors with degree of protection IP 67 and IP 68 are not suitable for use under water. When used outdoors, the connectors must be separately protected against corrosion. For further information about IP degrees of protection refer to 'Technical support' in the Download Centre.