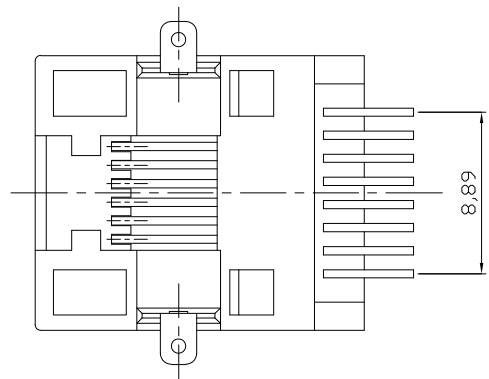
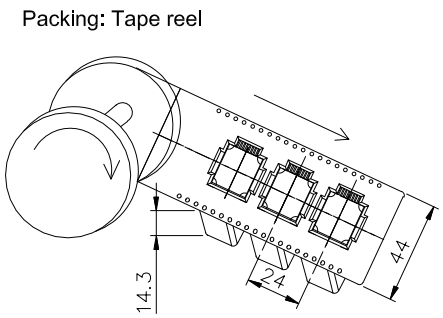


PCB Layout Component Side Shown



- NOTES:
- Mechanical:
- Housing material : PA9T UL94V-0 , Color: Black
  - Contact material: Phosphor Bronze t=0,35mm
  - Contact plating: Contact area---6u" Gold plating Tails---Tin plated all over 50u" Nickel
  - Operating Life: 750 Cycles min.
  - PCB Retention Post-solder: 10 LBS min.
- Electrical:
- Voltage Rating: 125VAC.
  - Current Rating: 1.5AMP.
  - Contact Resistance: 35mΩ max.
  - Insulation Resistance: 1000MΩ min. @ 500 VDC
  - Dielectric Strength: 1000 VAC 60Hz, 1 min.
- Environmental:
- Storage: -40°C To +85°C
  - Operation: -40°C~+85°C
  - IR Reflow Soldering Temp.: 255°C~265°C(5~10S)



② Qty: 150pcs per reel

**RoHS compliant**  
Unit:mm



File No.: E345352

Scale	Free					Date	Name	Customer-No.
TOLERANCE						Drawn	15.07.2009	Dean
X.X	±0.20					Approved	27.05.2013	Amy
X.XX	±0.15							
X.XXX	±0.10	③	Update	27.05.2013	Amy			
DIM	TOL	②	Changed the packing quantity	29.10.2010	Rate			
		①	Drawn	15.07.2009	Dean			
Angle	±5°	Id.	Modification	Date	Name			



Customer-No.		
ASSMANN WSW-No.		A-20042-LP/SMT-A
Drawing-No.	ASS 1050C CO	rev03
Replace	SHEET	