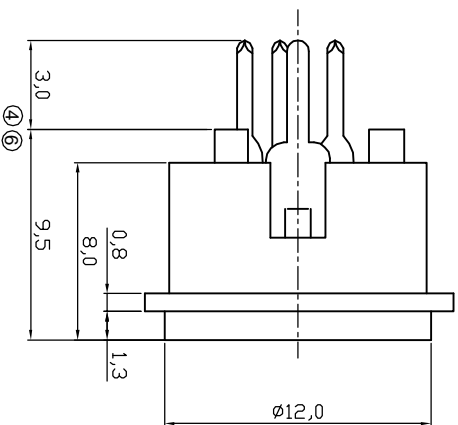
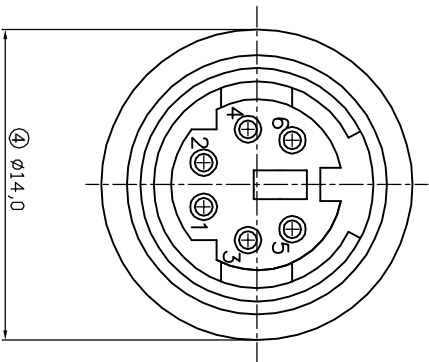


1 2 3 4 5 6 7



MATERIAL

Insulator Material: PBT+30%G.F (UL 94V-0) Black
 Contact Material: Phosphor Bronze
 Contact Plating: Full Gold-flash
 Shell: Brass

MECHANICAL

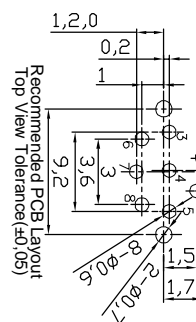
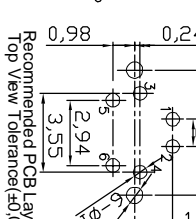
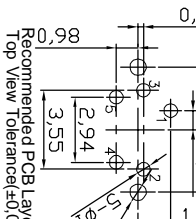
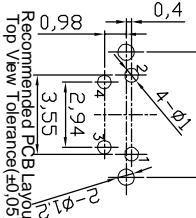
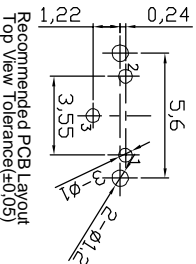
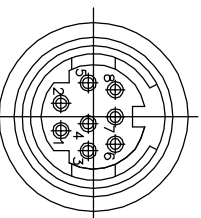
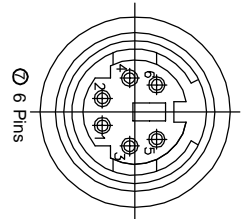
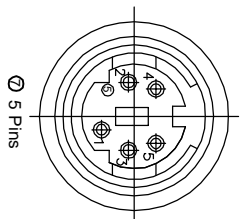
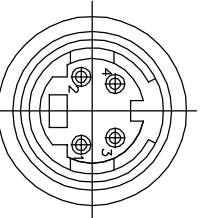
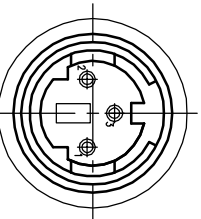
Mating Force: 45N max.
 Withdrawal Force: 7N min.
 Durability: 500 cycles min.

④ **ELECTRICAL**

Current Rating: 1.0Amps/contact max.
 Voltage Rating: 30V
 Withstand continuous Voltage: 750VAC
 Contact Resistance: 30m Ω /contact max.
 Insulation Resistance: 1000M Ω min.

ENVIRONMENTAL

Operation Temperature: -25°C~ +85°C



ROHS compliant
 Unit: mm

Scale	Free	⑦	Collect pin count 3, 4, 5, 6 and 8 into Drawing doc.	24.05.2018	Segal
TOLERANCE		⑥	Update	21.05.2018	Segal
X.X	$\pm 0,30$	⑤	Update	25.03.2013	Amy
X.XX	$\pm 0,20$	④	Update	12.12.2012	Amy
X.XXX	$\pm 0,10$	③	Change the manufacture plant	25.11.2010	Alex
DIM	TOL	②	Update	15.07.2009	Rate
X.°	$\pm 5^{\circ}$	①	Id.		
X.X°	$\pm 3^{\circ}$		Modification	Date	Name
Angle	TOL				



Customer-No.		Date	Name
		27.02.2002	Helwig
ASSMANN WSW-No.		24.05.2018	Winnie
⑦ A-DIO-TOP/XX			
Drawing-No.			
ASS 1010 CO	rev07		
Replace	Sheet		

1 2 3 4 5 6 7

