

Specifications

Current rating: 7A AC,DC

Voltage rating: 250V AC,DC

Temperature range: -25°C ~ +85°C

Contact resistance: 10mΩ Max.

Insulation resistance: 1000MΩ Min.

Withstanding voltage: 1500V AC/minute

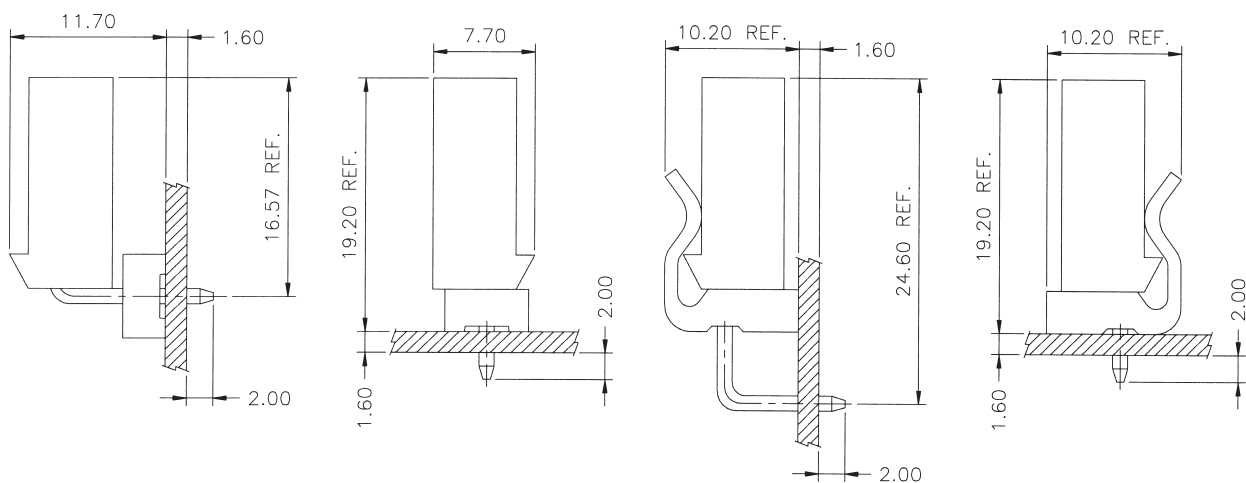
Contact H.R for details

Standards



E179987

Assembly layout





A5081 SERIES

5.08mm pitch wire to board connector

A5081H — 5.08mm pitch Housing

Reference Informations:

- *Material: Nylon 66,UL94V-2
- *Suitable H.R. A3960 series Terminal
- *Mates with H.R A5081 series Wafer

Ordering Information:

A5081H-XP - *

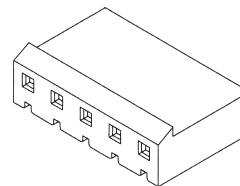
1 2

1.Part No.

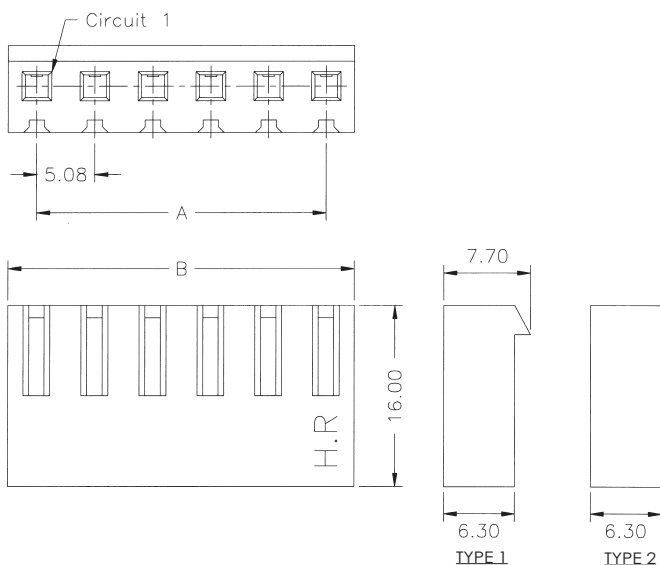
2.Style:

1-Type 1

2-Type 2



Ordering Information & Dimensions:



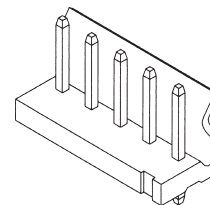
PART NO.	Dimensions	
	A	B
A5081H-2P	5.08	10.08
A5081H-3P	10.16	15.16
A5081H-4P	15.24	20.24
A5081H-5P	20.32	25.32
A5081H-6P	25.40	30.40
A5081H-7P	30.48	35.48
A5081H-8P	35.56	40.56
A5081H-9P	40.64	45.64
A5081H-10P	45.72	50.72
A5081H-11P	50.80	55.80
A5081H-12P	55.88	60.88
A5081H-13P	60.96	65.96
A5081H-14P	66.04	71.04
A5081H-15P	71.12	76.12
A5081H-16P	76.20	81.20
A5081H-17P	81.28	86.28
A5081H-18P	86.36	91.36
A5081H-19P	91.44	96.44
A5081H-20P	96.52	101.52

Unit:mm

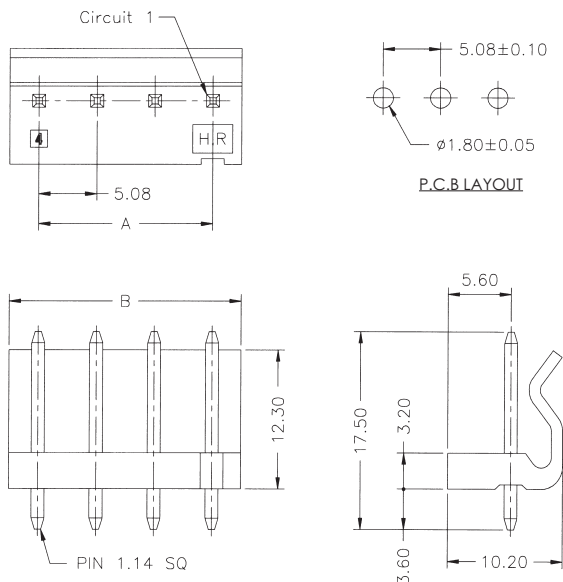
A5081WV — 5.08mm pitch 180° Wafer

Reference Informations:

- *Material: Pin: Brass/Tin-plated
- Wafer: Nylon 66,UL94V-2
- *Mates with H.R A5081 series Housing



Ordering Information & Dimensions:



PART NO.	Dimensions	
	A	B
A5081WV-2P	5.08	10.16
A5081WV-3P	10.16	15.24
A5081WV-4P	15.24	20.32
A5081WV-5P	20.32	25.40
A5081WV-6P	25.40	30.48
A5081WV-7P	30.48	35.56
A5081WV-8P	35.56	40.64
A5081WV-9P	40.64	45.72
A5081WV-10P	45.72	50.80
A5081WV-11P	50.80	55.88
A5081WV-12P	55.88	60.96
A5081WV-13P	60.96	66.04
A5081WV-14P	66.04	71.12
A5081WV-15P	71.12	76.20
A5081WV-16P	76.20	81.28
A5081WV-17P	81.28	86.36
A5081WV-18P	86.36	91.44
A5081WV-19P	91.44	96.52
A5081WV-20P	96.52	101.60

Unit:mm





A5081 SERIES

5.08mm pitch wire to board connector



A5081WR

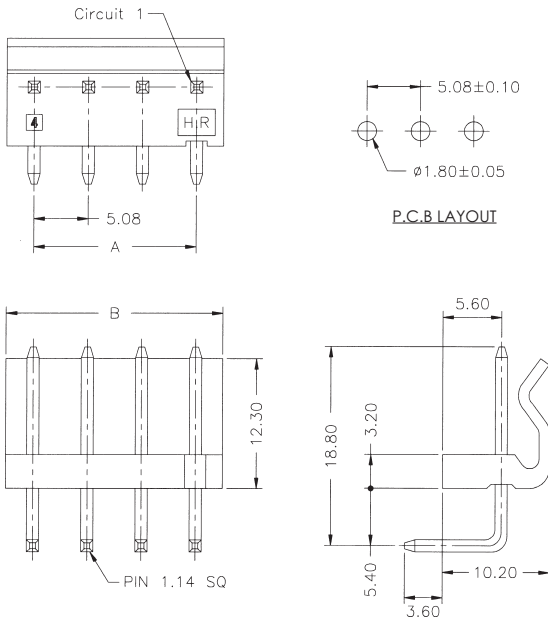
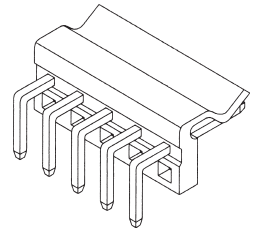
5.08mm pitch 90° Wafer

Reference Informations:

*Material: Pin: Brass/Tin-plated

Wafer: Nylon 66,UL94V-2

*Mates with H.R A5081 series Housing



Ordering Information & Dimensions:

PART NO.	Dimensions	
	A	B
A5081WR-2P	5.08	10.16
A5081WR-3P	10.16	15.24
A5081WR-4P	15.24	20.32
A5081WR-5P	20.32	25.40
A5081WR-6P	25.40	30.48
A5081WR-7P	30.48	35.56
A5081WR-8P	35.56	40.64
A5081WR-9P	40.64	45.72
A5081WR-10P	45.72	50.80
A5081WR-11P	50.80	55.88
A5081WR-12P	55.88	60.96
A5081WR-13P	60.96	66.04
A5081WR-14P	66.04	71.12
A5081WR-15P	71.12	76.20
A5081WR-16P	76.20	81.28
A5081WR-17P	81.28	86.36
A5081WR-18P	86.36	91.44
A5081WR-19P	91.44	96.52
A5081WR-20P	96.52	101.60

Unit:mm



A5081WVA

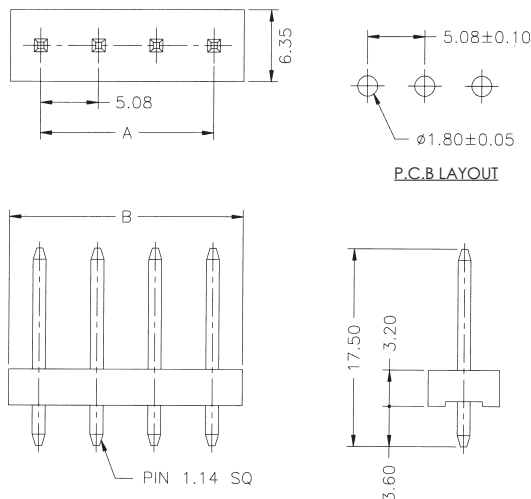
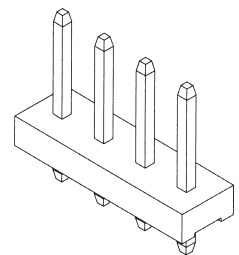
5.08mm pitch 180° Wafer

Reference Informations:

*Material: Pin: Brass/Tin-plated

Wafer: Nylon 66,UL94V-2

*Mates with H.R A5081 series Housing



Ordering Information & Dimensions:

PART NO.	Dimensions	
	A	B
A5081WVA-2P	5.08	10.16
A5081WVA-3P	10.16	15.24
A5081WVA-4P	15.24	20.32
A5081WVA-5P	20.32	25.40
A5081WVA-6P	25.40	30.48
A5081WVA-7P	30.48	35.56
A5081WVA-8P	35.56	40.64
A5081WVA-9P	40.64	45.72

Unit:mm



A5081 SERIES

5.08mm pitch wire to board connector

A5081WRA

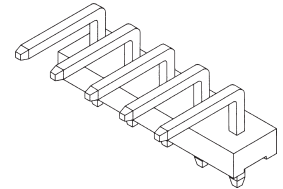
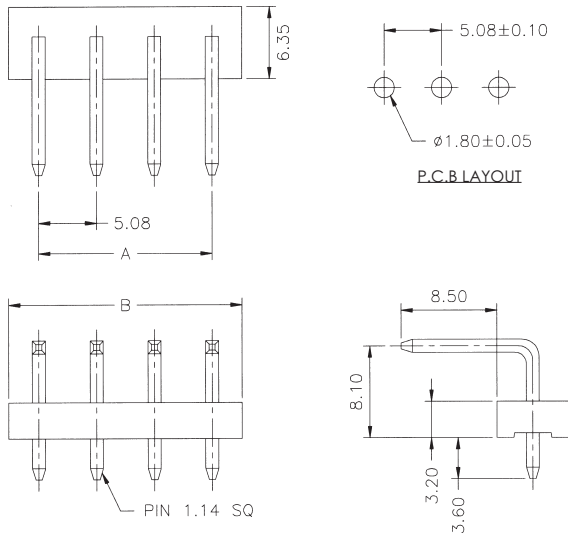
5.08mm pitch 90° Wafer

Reference Informations:

*Material: Pin: Brass/Tin-plated

Wafer: Nylon 66,UL94V-2

*Mates with H.R A5081 series Housing



Ordering Information & Dimensions:

PART NO.	Dimensions	
	A	B
A5081WRA-2P	5.08	10.16
A5081WRA-3P	10.16	15.24
A5081WRA-4P	15.24	20.32
A5081WRA-5P	20.32	25.40
A5081WRA-6P	25.40	30.48
A5081WRA-7P	30.48	35.56
A5081WRA-8P	35.56	40.64
A5081WRA-9P	40.64	45.72

Unit:mm

A5081WVB

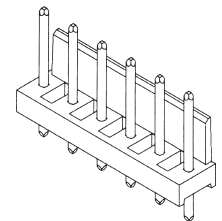
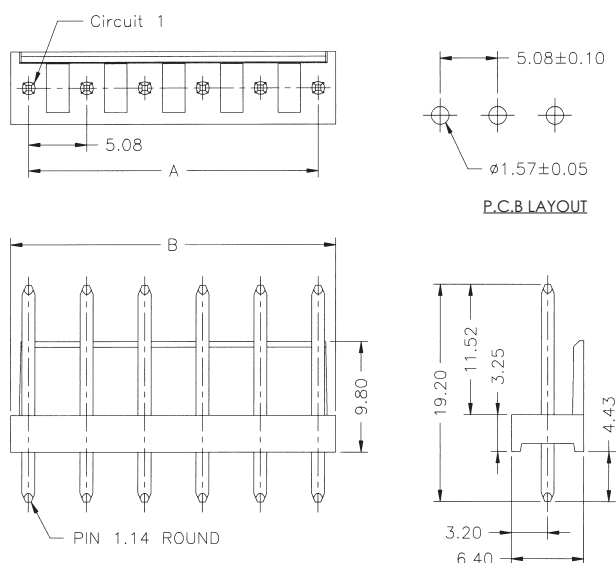
5.08mm pitch 180° Wafer

Reference Informations:

*Material: Pin: Brass/Tin-plated

Wafer: Nylon 66,UL94V-2

*Mates with H.R A5081 series Housing



Ordering Information & Dimensions:

PART NO.	Dimensions	
	A	B
A5081WVB-2P	5.08	8.20
A5081WVB-3P	10.16	13.28
A5081WVB-4P	15.24	18.36
A5081WVB-5P	20.32	23.44
A5081WVB-6P	25.40	28.52
A5081WVB-7P	30.48	33.60
A5081WVB-8P	35.56	38.68
A5081WVB-9P	40.64	43.76
A5081WVB-10P	45.72	48.84
A5081WVB-11P	50.80	53.92
A5081WVB-12P	55.88	59.00
A5081WVB-13P	60.96	64.08
A5081WVB-14P	66.04	69.16
A5081WVB-15P	71.12	74.24
A5081WVB-16P	76.20	79.32
A5081WVB-17P	81.28	84.40

Unit:mm



A5081 SERIES

5.08mm pitch wire to board connector

A5081 WV

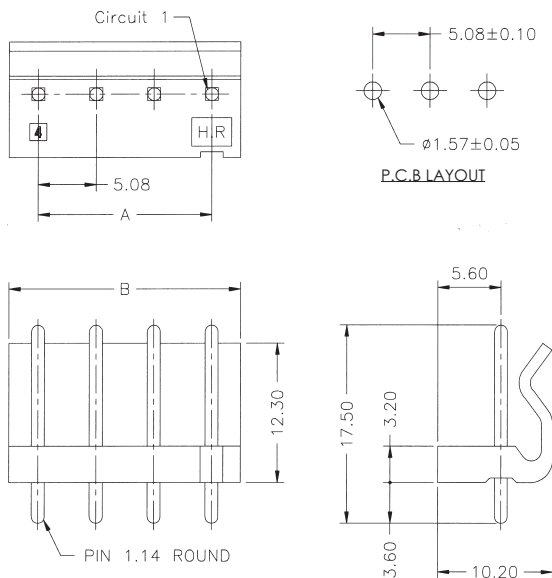
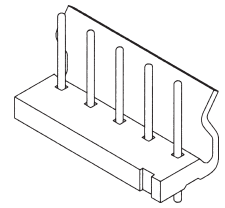
5.08mm pitch 180° Wafer, Round Pin

Reference Informations:

*Material: Pin: Brass/Tin-plated

Wafer: Nylon 66,UL94V-2

*Mates with H.R A5081 series Housing



Ordering Information & Dimensions:

PART NO.	Dimensions	
	A	B
A5081WV-2P-R	5.08	10.16
A5081WV-3P-R	10.16	15.24
A5081WV-4P-R	15.24	20.32
A5081WV-5P-R	20.32	25.40
A5081WV-6P-R	25.40	30.48
A5081WV-7P-R	30.48	35.56
A5081WV-8P-R	35.56	40.64
A5081WV-9P-R	40.64	45.72
A5081WV-10P-R	45.72	50.80
A5081WV-11P-R	50.80	55.88
A5081WV-12P-R	55.88	60.96
A5081WV-13P-R	60.96	66.04
A5081WV-14P-R	66.04	71.12
A5081WV-15P-R	71.12	76.20
A5081WV-16P-R	76.20	81.28
A5081WV-17P-R	81.28	86.36
A5081WV-18P-R	86.36	91.44
A5081WV-19P-R	91.44	96.52
A5081WV-20P-R	96.52	101.60

Unit:mm

A5081 WVA

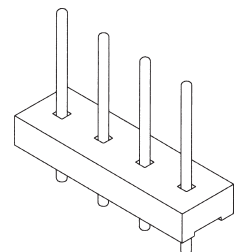
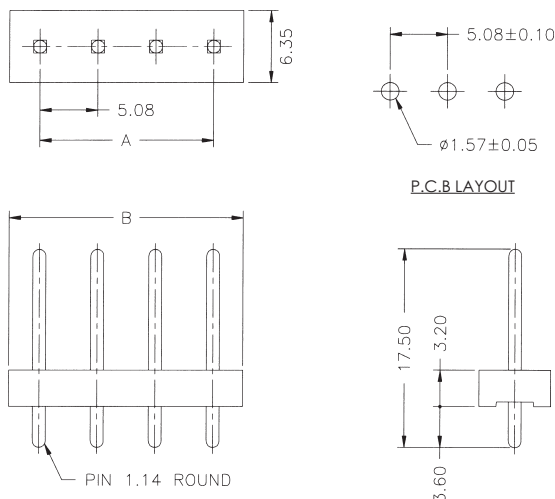
5.08mm pitch 180° Wafer, Round Pin

Reference Informations:

*Material: Pin: Brass/Tin-plated

Wafer: Nylon 66,UL94V-2

*Mates with H.R A5081 series Housing



Ordering Information & Dimensions:

PART NO.	Dimensions	
	A	B
A5081WVA-2P-R	5.08	10.16
A5081WVA-3P-R	10.16	15.24
A5081WVA-4P-R	15.24	20.32
A5081WVA-5P-R	20.32	25.40
A5081WVA-6P-R	25.40	30.48
A5081WVA-7P-R	30.48	35.56
A5081WVA-8P-R	35.56	40.64
A5081WVA-9P-R	40.64	45.72

Unit:mm