


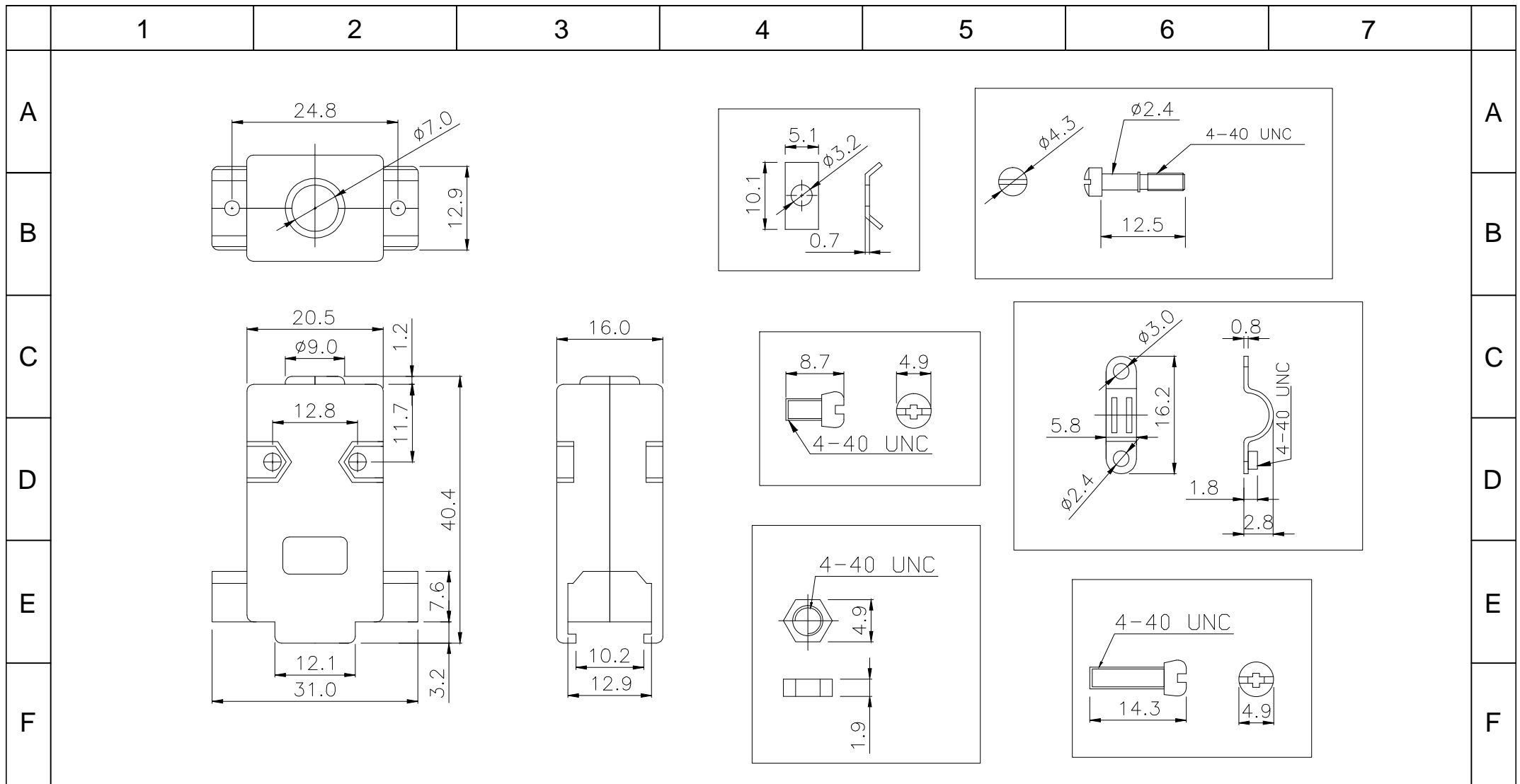



	1	2	3	4	5	6	7																																																																																								
A	SPECIFICATION MATERIAL Features		Order Code AGP - XX - G - X 1 2																																																																																												
B	⑦ This shell hood is supplied for top cable entry. Following versions are available: metallized,black and grey		1 No. of contacts 09, 15, 25, 37, 50		2 Version ME -Metallized NEW -Plastic,black NEW/GR -Plastic,Grey																																																																																										
C	The strain relief with two screws is attached separately.																																																																																														
D					Suitable knurled screws AGP-RS/NEW 1 Set=2 pieces																																																																																										
E	⑤ Material Insulator: ABS UL94HB Screw: Steel Finish: Chromate plated Delivery includes 2 half-sheels 2 fixing screws 4 screws 2 strain relief bow 2 nuts																																																																																														
F																																																																																															
G	RoHS compliant Unit: mm		<table border="1"> <tr> <td>Scale</td> <td>Free</td> <td>⑦</td> <td>Update spec description</td> <td>06.05.2019</td> <td>Xavier</td> <td></td> <td>Date</td> <td>Name</td> <td>Customer-No.</td> </tr> <tr> <td colspan="2">TOLERANCE</td> <td>⑥</td> <td>Update the drawing</td> <td>29.07.2015</td> <td>Amy</td> <td>Drawn</td> <td>12.01.2005</td> <td>Ken</td> <td rowspan="3">ASSMANN WSW-No. AGP xx G-x</td> </tr> <tr> <td>X.X</td> <td>±X</td> <td>⑤</td> <td>Corrected material</td> <td>14.12.10</td> <td>Dean</td> <td>Approved</td> <td>29.07.2015</td> <td>Amy</td> </tr> <tr> <td>X.XX</td> <td>±X</td> <td>④</td> <td>Drawing revised</td> <td>06.07.07</td> <td>N.Schulz</td> <td></td> <td></td> <td></td> </tr> <tr> <td>X.XXX</td> <td>±X</td> <td>③</td> <td>Value E completed</td> <td>03.08.05</td> <td>Walter</td> <td colspan="3" rowspan="2">  </td> <td>Drawing-No.</td> </tr> <tr> <td>DIM</td> <td>TOL</td> <td>②</td> <td>Material completed</td> <td>12.05.05</td> <td>Walter</td> <td>ASS 0557 CO</td> <td>rev07</td> </tr> <tr> <td>X.°</td> <td>±X°</td> <td>①</td> <td>Id.</td> <td>Modification</td> <td>Date</td> <td>Name</td> <td>Replace</td> <td>Sheet</td> </tr> <tr> <td>X.X°</td> <td>±X°</td> <td></td> <td></td> <td></td> <td></td> <td></td> <td></td> <td>1 / 6</td> </tr> <tr> <td>Angle</td> <td>TOL</td> <td></td> <td></td> <td></td> <td></td> <td></td> <td></td> <td></td> </tr> </table>		Scale	Free	⑦	Update spec description	06.05.2019	Xavier		Date	Name	Customer-No.	TOLERANCE		⑥	Update the drawing	29.07.2015	Amy	Drawn	12.01.2005	Ken	ASSMANN WSW-No. AGP xx G-x	X.X	±X	⑤	Corrected material	14.12.10	Dean	Approved	29.07.2015	Amy	X.XX	±X	④	Drawing revised	06.07.07	N.Schulz				X.XXX	±X	③	Value E completed	03.08.05	Walter				Drawing-No.	DIM	TOL	②	Material completed	12.05.05	Walter	ASS 0557 CO	rev07	X.°	±X°	①	Id.	Modification	Date	Name	Replace	Sheet	X.X°	±X°							1 / 6	Angle	TOL															
Scale	Free	⑦	Update spec description	06.05.2019	Xavier		Date	Name	Customer-No.																																																																																						
TOLERANCE		⑥	Update the drawing	29.07.2015	Amy	Drawn	12.01.2005	Ken	ASSMANN WSW-No. AGP xx G-x																																																																																						
X.X	±X	⑤	Corrected material	14.12.10	Dean	Approved	29.07.2015	Amy																																																																																							
X.XX	±X	④	Drawing revised	06.07.07	N.Schulz																																																																																										
X.XXX	±X	③	Value E completed	03.08.05	Walter				Drawing-No.																																																																																						
DIM	TOL	②	Material completed	12.05.05	Walter				ASS 0557 CO	rev07																																																																																					
X.°	±X°	①	Id.	Modification	Date	Name	Replace	Sheet																																																																																							
X.X°	±X°							1 / 6																																																																																							
Angle	TOL																																																																																														
H																																																																																															
	1	2	3	4	5	6	7	SV3931																																																																																							



RoHS compliant
Unit: mm

Scale	Free	⑦	Update spec description	06.05.2019	Xavier		Date	Name	Customer-No.
TOLERANCE		⑥	Update the drawing	29.07.2015	Amy	Drawn	12.01.2005	Ken	ASSMANN WSW-No. AGP 09 G-x
X.X	±0.30	⑤	Corrected material	14.12.10	Dean	Approved	29.07.2015	Amy	
X.XX	±0.20	④	Drawing revised	06.07.07	N.Schulz				
DIM	TOL	③	Value E completed	03.08.05	Walter				Drawing-No.
		②	Material completed	12.05.05	Walter				ASS 0557 CO
Angle	±5°	①	Modification	Date	Name	Replace	Sheet	2 / 6	
Angle	TOL	Id.							

	1	2	3	4	5	6	7																																																																																																																																																																																																																																
A								A																																																																																																																																																																																																																															
B								B																																																																																																																																																																																																																															
C								C																																																																																																																																																																																																																															
D								D																																																																																																																																																																																																																															
E								E																																																																																																																																																																																																																															
F								F																																																																																																																																																																																																																															
G	RoHS compliant Unit: mm		<table border="1"> <tr> <td>Scale</td> <td>Free</td> <td>⑦</td> <td>Update spec description</td> <td>06.05.2019</td> <td>Xavier</td> <td></td> <td>Date</td> <td>Name</td> <td>Customer-No.</td> </tr> <tr> <td colspan="2">TOLERANCE</td> <td>⑥</td> <td>Update the drawing</td> <td>29.07.2015</td> <td>Amy</td> <td>Drawn</td> <td>12.01.2005</td> <td>Ken</td> <td rowspan="3">ASSMANN WSW-No. AGP 15 G-x</td> </tr> <tr> <td>X.X</td> <td>±0.30</td> <td>⑤</td> <td>Corrected material</td> <td>14.12.10</td> <td>Dean</td> <td>Approved</td> <td>29.07.2015</td> <td>Amy</td> </tr> <tr> <td>X.XX</td> <td>±0.20</td> <td>④</td> <td>Drawing revised</td> <td>06.07.07</td> <td>N.Schulz</td> <td></td> <td></td> <td></td> </tr> <tr> <td>DIM</td> <td>TOL</td> <td>③</td> <td>Value E completed</td> <td>03.08.05</td> <td>Walter</td> <td colspan="3" rowspan="2"> </td> <td>Drawing-No.</td> </tr> <tr> <td></td> <td></td> <td>②</td> <td>Material completed</td> <td>12.05.05</td> <td>Walter</td> <td>ASS 0557 CO</td> <td>rev07</td> </tr> <tr> <td>Angle</td> <td>±5°</td> <td>①</td> <td>Id.</td> <td>Modification</td> <td>Date</td> <td>Name</td> <td>Replace</td> <td>Sheet</td> </tr> <tr> <td>Angle</td> <td>TOL</td> <td></td> <td></td> <td></td> <td></td> <td></td> <td></td> <td>3 / 6</td> </tr> </table>		Scale	Free	⑦	Update spec description	06.05.2019	Xavier		Date	Name	Customer-No.	TOLERANCE		⑥	Update the drawing	29.07.2015	Amy	Drawn	12.01.2005	Ken	ASSMANN WSW-No. AGP 15 G-x	X.X	±0.30	⑤	Corrected material	14.12.10	Dean	Approved	29.07.2015	Amy	X.XX	±0.20	④	Drawing revised	06.07.07	N.Schulz				DIM	TOL	③	Value E completed	03.08.05	Walter				Drawing-No.			②	Material completed	12.05.05	Walter	ASS 0557 CO	rev07	Angle	±5°	①	Id.	Modification	Date	Name	Replace	Sheet	Angle	TOL							3 / 6	<table border="1"> <tr> <td>Scale</td> <td>Free</td> <td>⑦</td> <td>Update spec description</td> <td>06.05.2019</td> <td>Xavier</td> <td></td> <td>Date</td> <td>Name</td> <td>Customer-No.</td> </tr> <tr> <td colspan="2">TOLERANCE</td> <td>⑥</td> <td>Update the drawing</td> <td>29.07.2015</td> <td>Amy</td> <td>Drawn</td> <td>12.01.2005</td> <td>Ken</td> <td rowspan="3">ASSMANN WSW-No. AGP 15 G-x</td> </tr> <tr> <td>X.X</td> <td>±0.30</td> <td>⑤</td> <td>Corrected material</td> <td>14.12.10</td> <td>Dean</td> <td>Approved</td> <td>29.07.2015</td> <td>Amy</td> </tr> <tr> <td>X.XX</td> <td>±0.20</td> <td>④</td> <td>Drawing revised</td> <td>06.07.07</td> <td>N.Schulz</td> <td></td> <td></td> <td></td> </tr> <tr> <td>DIM</td> <td>TOL</td> <td>③</td> <td>Value E completed</td> <td>03.08.05</td> <td>Walter</td> <td colspan="3" rowspan="2"> </td> <td>Drawing-No.</td> </tr> <tr> <td></td> <td></td> <td>②</td> <td>Material completed</td> <td>12.05.05</td> <td>Walter</td> <td>ASS 0557 CO</td> <td>rev07</td> </tr> <tr> <td>Angle</td> <td>±5°</td> <td>①</td> <td>Id.</td> <td>Modification</td> <td>Date</td> <td>Name</td> <td>Replace</td> <td>Sheet</td> </tr> <tr> <td>Angle</td> <td>TOL</td> <td></td> <td></td> <td></td> <td></td> <td></td> <td></td> <td>3 / 6</td> </tr> </table>		Scale	Free	⑦	Update spec description	06.05.2019	Xavier		Date	Name	Customer-No.	TOLERANCE		⑥	Update the drawing	29.07.2015	Amy	Drawn	12.01.2005	Ken	ASSMANN WSW-No. AGP 15 G-x	X.X	±0.30	⑤	Corrected material	14.12.10	Dean	Approved	29.07.2015	Amy	X.XX	±0.20	④	Drawing revised	06.07.07	N.Schulz				DIM	TOL	③	Value E completed	03.08.05	Walter				Drawing-No.			②	Material completed	12.05.05	Walter	ASS 0557 CO	rev07	Angle	±5°	①	Id.	Modification	Date	Name	Replace	Sheet	Angle	TOL							3 / 6	<table border="1"> <tr> <td>Scale</td> <td>Free</td> <td>⑦</td> <td>Update spec description</td> <td>06.05.2019</td> <td>Xavier</td> <td></td> <td>Date</td> <td>Name</td> <td>Customer-No.</td> </tr> <tr> <td colspan="2">TOLERANCE</td> <td>⑥</td> <td>Update the drawing</td> <td>29.07.2015</td> <td>Amy</td> <td>Drawn</td> <td>12.01.2005</td> <td>Ken</td> <td rowspan="3">ASSMANN WSW-No. AGP 15 G-x</td> </tr> <tr> <td>X.X</td> <td>±0.30</td> <td>⑤</td> <td>Corrected material</td> <td>14.12.10</td> <td>Dean</td> <td>Approved</td> <td>29.07.2015</td> <td>Amy</td> </tr> <tr> <td>X.XX</td> <td>±0.20</td> <td>④</td> <td>Drawing revised</td> <td>06.07.07</td> <td>N.Schulz</td> <td></td> <td></td> <td></td> </tr> <tr> <td>DIM</td> <td>TOL</td> <td>③</td> <td>Value E completed</td> <td>03.08.05</td> <td>Walter</td> <td colspan="3" rowspan="2"> </td> <td>Drawing-No.</td> </tr> <tr> <td></td> <td></td> <td>②</td> <td>Material completed</td> <td>12.05.05</td> <td>Walter</td> <td>ASS 0557 CO</td> <td>rev07</td> </tr> <tr> <td>Angle</td> <td>±5°</td> <td>①</td> <td>Id.</td> <td>Modification</td> <td>Date</td> <td>Name</td> <td>Replace</td> <td>Sheet</td> </tr> <tr> <td>Angle</td> <td>TOL</td> <td></td> <td></td> <td></td> <td></td> <td></td> <td></td> <td>3 / 6</td> </tr> </table>		Scale	Free	⑦	Update spec description	06.05.2019	Xavier		Date	Name	Customer-No.	TOLERANCE		⑥	Update the drawing	29.07.2015	Amy	Drawn	12.01.2005	Ken	ASSMANN WSW-No. AGP 15 G-x	X.X	±0.30	⑤	Corrected material	14.12.10	Dean	Approved	29.07.2015	Amy	X.XX	±0.20	④	Drawing revised	06.07.07	N.Schulz				DIM	TOL	③	Value E completed	03.08.05	Walter				Drawing-No.			②	Material completed	12.05.05	Walter	ASS 0557 CO	rev07	Angle	±5°	①	Id.	Modification	Date	Name	Replace	Sheet	Angle	TOL							3 / 6	G
Scale	Free	⑦	Update spec description	06.05.2019	Xavier		Date	Name	Customer-No.																																																																																																																																																																																																																														
TOLERANCE		⑥	Update the drawing	29.07.2015	Amy	Drawn	12.01.2005	Ken	ASSMANN WSW-No. AGP 15 G-x																																																																																																																																																																																																																														
X.X	±0.30	⑤	Corrected material	14.12.10	Dean	Approved	29.07.2015	Amy																																																																																																																																																																																																																															
X.XX	±0.20	④	Drawing revised	06.07.07	N.Schulz																																																																																																																																																																																																																																		
DIM	TOL	③	Value E completed	03.08.05	Walter				Drawing-No.																																																																																																																																																																																																																														
		②	Material completed	12.05.05	Walter				ASS 0557 CO	rev07																																																																																																																																																																																																																													
Angle	±5°	①	Id.	Modification	Date	Name	Replace	Sheet																																																																																																																																																																																																																															
Angle	TOL							3 / 6																																																																																																																																																																																																																															
Scale	Free	⑦	Update spec description	06.05.2019	Xavier		Date	Name	Customer-No.																																																																																																																																																																																																																														
TOLERANCE		⑥	Update the drawing	29.07.2015	Amy	Drawn	12.01.2005	Ken	ASSMANN WSW-No. AGP 15 G-x																																																																																																																																																																																																																														
X.X	±0.30	⑤	Corrected material	14.12.10	Dean	Approved	29.07.2015	Amy																																																																																																																																																																																																																															
X.XX	±0.20	④	Drawing revised	06.07.07	N.Schulz																																																																																																																																																																																																																																		
DIM	TOL	③	Value E completed	03.08.05	Walter				Drawing-No.																																																																																																																																																																																																																														
		②	Material completed	12.05.05	Walter				ASS 0557 CO	rev07																																																																																																																																																																																																																													
Angle	±5°	①	Id.	Modification	Date	Name	Replace	Sheet																																																																																																																																																																																																																															
Angle	TOL							3 / 6																																																																																																																																																																																																																															
Scale	Free	⑦	Update spec description	06.05.2019	Xavier		Date	Name	Customer-No.																																																																																																																																																																																																																														
TOLERANCE		⑥	Update the drawing	29.07.2015	Amy	Drawn	12.01.2005	Ken	ASSMANN WSW-No. AGP 15 G-x																																																																																																																																																																																																																														
X.X	±0.30	⑤	Corrected material	14.12.10	Dean	Approved	29.07.2015	Amy																																																																																																																																																																																																																															
X.XX	±0.20	④	Drawing revised	06.07.07	N.Schulz																																																																																																																																																																																																																																		
DIM	TOL	③	Value E completed	03.08.05	Walter				Drawing-No.																																																																																																																																																																																																																														
		②	Material completed	12.05.05	Walter				ASS 0557 CO	rev07																																																																																																																																																																																																																													
Angle	±5°	①	Id.	Modification	Date	Name	Replace	Sheet																																																																																																																																																																																																																															
Angle	TOL							3 / 6																																																																																																																																																																																																																															
H	<table border="1"> <tr> <td>Scale</td> <td>Free</td> <td>⑦</td> <td>Update spec description</td> <td>06.05.2019</td> <td>Xavier</td> <td></td> <td>Date</td> <td>Name</td> <td>Customer-No.</td> </tr> <tr> <td colspan="2">TOLERANCE</td> <td>⑥</td> <td>Update the drawing</td> <td>29.07.2015</td> <td>Amy</td> <td>Drawn</td> <td>12.01.2005</td> <td>Ken</td> <td rowspan="3">ASSMANN WSW-No. AGP 15 G-x</td> </tr> <tr> <td>X.X</td> <td>±0.30</td> <td>⑤</td> <td>Corrected material</td> <td>14.12.10</td> <td>Dean</td> <td>Approved</td> <td>29.07.2015</td> <td>Amy</td> </tr> <tr> <td>X.XX</td> <td>±0.20</td> <td>④</td> <td>Drawing revised</td> <td>06.07.07</td> <td>N.Schulz</td> <td></td> <td></td> <td></td> </tr> <tr> <td>DIM</td> <td>TOL</td> <td>③</td> <td>Value E completed</td> <td>03.08.05</td> <td>Walter</td> <td colspan="3" rowspan="2"> </td> <td>Drawing-No.</td> </tr> <tr> <td></td> <td></td> <td>②</td> <td>Material completed</td> <td>12.05.05</td> <td>Walter</td> <td>ASS 0557 CO</td> <td>rev07</td> </tr> <tr> <td>Angle</td> <td>±5°</td> <td>①</td> <td>Id.</td> <td>Modification</td> <td>Date</td> <td>Name</td> <td>Replace</td> <td>Sheet</td> </tr> <tr> <td>Angle</td> <td>TOL</td> <td></td> <td></td> <td></td> <td></td> <td></td> <td></td> <td>3 / 6</td> </tr> </table>		Scale	Free	⑦	Update spec description	06.05.2019	Xavier		Date	Name	Customer-No.	TOLERANCE		⑥	Update the drawing	29.07.2015	Amy	Drawn	12.01.2005	Ken	ASSMANN WSW-No. AGP 15 G-x	X.X	±0.30	⑤	Corrected material	14.12.10	Dean	Approved	29.07.2015	Amy	X.XX	±0.20	④	Drawing revised	06.07.07	N.Schulz				DIM	TOL	③	Value E completed	03.08.05	Walter				Drawing-No.			②	Material completed	12.05.05	Walter	ASS 0557 CO	rev07	Angle	±5°	①	Id.	Modification	Date	Name	Replace	Sheet	Angle	TOL							3 / 6	<table border="1"> <tr> <td>Scale</td> <td>Free</td> <td>⑦</td> <td>Update spec description</td> <td>06.05.2019</td> <td>Xavier</td> <td></td> <td>Date</td> <td>Name</td> <td>Customer-No.</td> </tr> <tr> <td colspan="2">TOLERANCE</td> <td>⑥</td> <td>Update the drawing</td> <td>29.07.2015</td> <td>Amy</td> <td>Drawn</td> <td>12.01.2005</td> <td>Ken</td> <td rowspan="3">ASSMANN WSW-No. AGP 15 G-x</td> </tr> <tr> <td>X.X</td> <td>±0.30</td> <td>⑤</td> <td>Corrected material</td> <td>14.12.10</td> <td>Dean</td> <td>Approved</td> <td>29.07.2015</td> <td>Amy</td> </tr> <tr> <td>X.XX</td> <td>±0.20</td> <td>④</td> <td>Drawing revised</td> <td>06.07.07</td> <td>N.Schulz</td> <td></td> <td></td> <td></td> </tr> <tr> <td>DIM</td> <td>TOL</td> <td>③</td> <td>Value E completed</td> <td>03.08.05</td> <td>Walter</td> <td colspan="3" rowspan="2"> </td> <td>Drawing-No.</td> </tr> <tr> <td></td> <td></td> <td>②</td> <td>Material completed</td> <td>12.05.05</td> <td>Walter</td> <td>ASS 0557 CO</td> <td>rev07</td> </tr> <tr> <td>Angle</td> <td>±5°</td> <td>①</td> <td>Id.</td> <td>Modification</td> <td>Date</td> <td>Name</td> <td>Replace</td> <td>Sheet</td> </tr> <tr> <td>Angle</td> <td>TOL</td> <td></td> <td></td> <td></td> <td></td> <td></td> <td></td> <td>3 / 6</td> </tr> </table>		Scale	Free	⑦	Update spec description	06.05.2019	Xavier		Date	Name	Customer-No.	TOLERANCE		⑥	Update the drawing	29.07.2015	Amy	Drawn	12.01.2005	Ken	ASSMANN WSW-No. AGP 15 G-x	X.X	±0.30	⑤	Corrected material	14.12.10	Dean	Approved	29.07.2015	Amy	X.XX	±0.20	④	Drawing revised	06.07.07	N.Schulz				DIM	TOL	③	Value E completed	03.08.05	Walter				Drawing-No.			②	Material completed	12.05.05	Walter	ASS 0557 CO	rev07	Angle	±5°	①	Id.	Modification	Date	Name	Replace	Sheet	Angle	TOL							3 / 6	<table border="1"> <tr> <td>Scale</td> <td>Free</td> <td>⑦</td> <td>Update spec description</td> <td>06.05.2019</td> <td>Xavier</td> <td></td> <td>Date</td> <td>Name</td> <td>Customer-No.</td> </tr> <tr> <td colspan="2">TOLERANCE</td> <td>⑥</td> <td>Update the drawing</td> <td>29.07.2015</td> <td>Amy</td> <td>Drawn</td> <td>12.01.2005</td> <td>Ken</td> <td rowspan="3">ASSMANN WSW-No. AGP 15 G-x</td> </tr> <tr> <td>X.X</td> <td>±0.30</td> <td>⑤</td> <td>Corrected material</td> <td>14.12.10</td> <td>Dean</td> <td>Approved</td> <td>29.07.2015</td> <td>Amy</td> </tr> <tr> <td>X.XX</td> <td>±0.20</td> <td>④</td> <td>Drawing revised</td> <td>06.07.07</td> <td>N.Schulz</td> <td></td> <td></td> <td></td> </tr> <tr> <td>DIM</td> <td>TOL</td> <td>③</td> <td>Value E completed</td> <td>03.08.05</td> <td>Walter</td> <td colspan="3" rowspan="2"> </td> <td>Drawing-No.</td> </tr> <tr> <td></td> <td></td> <td>②</td> <td>Material completed</td> <td>12.05.05</td> <td>Walter</td> <td>ASS 0557 CO</td> <td>rev07</td> </tr> <tr> <td>Angle</td> <td>±5°</td> <td>①</td> <td>Id.</td> <td>Modification</td> <td>Date</td> <td>Name</td> <td>Replace</td> <td>Sheet</td> </tr> <tr> <td>Angle</td> <td>TOL</td> <td></td> <td></td> <td></td> <td></td> <td></td> <td></td> <td>3 / 6</td> </tr> </table>		Scale	Free	⑦	Update spec description	06.05.2019	Xavier		Date	Name	Customer-No.	TOLERANCE		⑥	Update the drawing	29.07.2015	Amy	Drawn	12.01.2005	Ken	ASSMANN WSW-No. AGP 15 G-x	X.X	±0.30	⑤	Corrected material	14.12.10	Dean	Approved	29.07.2015	Amy	X.XX	±0.20	④	Drawing revised	06.07.07	N.Schulz				DIM	TOL	③	Value E completed	03.08.05	Walter				Drawing-No.			②	Material completed	12.05.05	Walter	ASS 0557 CO	rev07	Angle	±5°	①	Id.	Modification	Date	Name	Replace	Sheet	Angle	TOL							3 / 6	H		
Scale	Free	⑦	Update spec description	06.05.2019	Xavier		Date	Name	Customer-No.																																																																																																																																																																																																																														
TOLERANCE		⑥	Update the drawing	29.07.2015	Amy	Drawn	12.01.2005	Ken	ASSMANN WSW-No. AGP 15 G-x																																																																																																																																																																																																																														
X.X	±0.30	⑤	Corrected material	14.12.10	Dean	Approved	29.07.2015	Amy																																																																																																																																																																																																																															
X.XX	±0.20	④	Drawing revised	06.07.07	N.Schulz																																																																																																																																																																																																																																		
DIM	TOL	③	Value E completed	03.08.05	Walter				Drawing-No.																																																																																																																																																																																																																														
		②	Material completed	12.05.05	Walter				ASS 0557 CO	rev07																																																																																																																																																																																																																													
Angle	±5°	①	Id.	Modification	Date	Name	Replace	Sheet																																																																																																																																																																																																																															
Angle	TOL							3 / 6																																																																																																																																																																																																																															
Scale	Free	⑦	Update spec description	06.05.2019	Xavier		Date	Name	Customer-No.																																																																																																																																																																																																																														
TOLERANCE		⑥	Update the drawing	29.07.2015	Amy	Drawn	12.01.2005	Ken	ASSMANN WSW-No. AGP 15 G-x																																																																																																																																																																																																																														
X.X	±0.30	⑤	Corrected material	14.12.10	Dean	Approved	29.07.2015	Amy																																																																																																																																																																																																																															
X.XX	±0.20	④	Drawing revised	06.07.07	N.Schulz																																																																																																																																																																																																																																		
DIM	TOL	③	Value E completed	03.08.05	Walter				Drawing-No.																																																																																																																																																																																																																														
		②	Material completed	12.05.05	Walter				ASS 0557 CO	rev07																																																																																																																																																																																																																													
Angle	±5°	①	Id.	Modification	Date	Name	Replace	Sheet																																																																																																																																																																																																																															
Angle	TOL							3 / 6																																																																																																																																																																																																																															
Scale	Free	⑦	Update spec description	06.05.2019	Xavier		Date	Name	Customer-No.																																																																																																																																																																																																																														
TOLERANCE		⑥	Update the drawing	29.07.2015	Amy	Drawn	12.01.2005	Ken	ASSMANN WSW-No. AGP 15 G-x																																																																																																																																																																																																																														
X.X	±0.30	⑤	Corrected material	14.12.10	Dean	Approved	29.07.2015	Amy																																																																																																																																																																																																																															
X.XX	±0.20	④	Drawing revised	06.07.07	N.Schulz																																																																																																																																																																																																																																		
DIM	TOL	③	Value E completed	03.08.05	Walter				Drawing-No.																																																																																																																																																																																																																														
		②	Material completed	12.05.05	Walter				ASS 0557 CO	rev07																																																																																																																																																																																																																													
Angle	±5°	①	Id.	Modification	Date	Name	Replace	Sheet																																																																																																																																																																																																																															
Angle	TOL							3 / 6																																																																																																																																																																																																																															
	1	2	3	4	5	6	7	SV3931																																																																																																																																																																																																																															

1

2

3

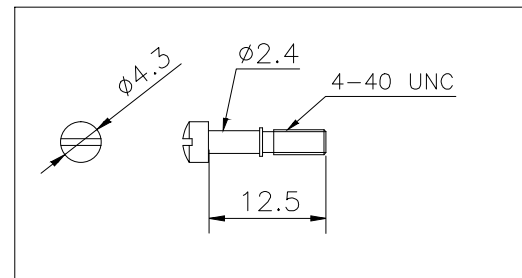
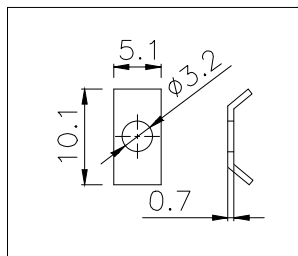
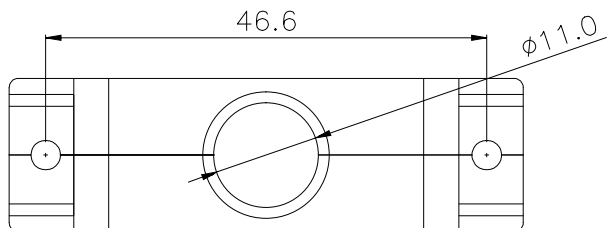
4

5

6

7

A



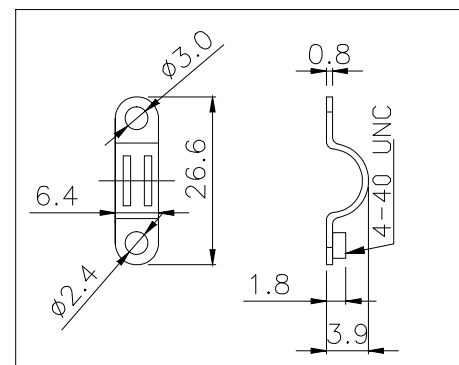
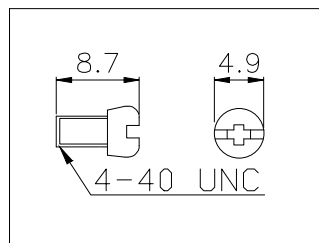
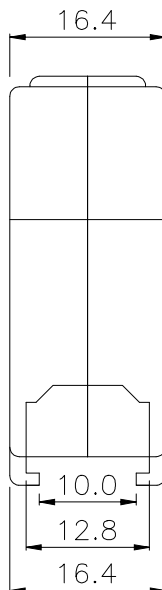
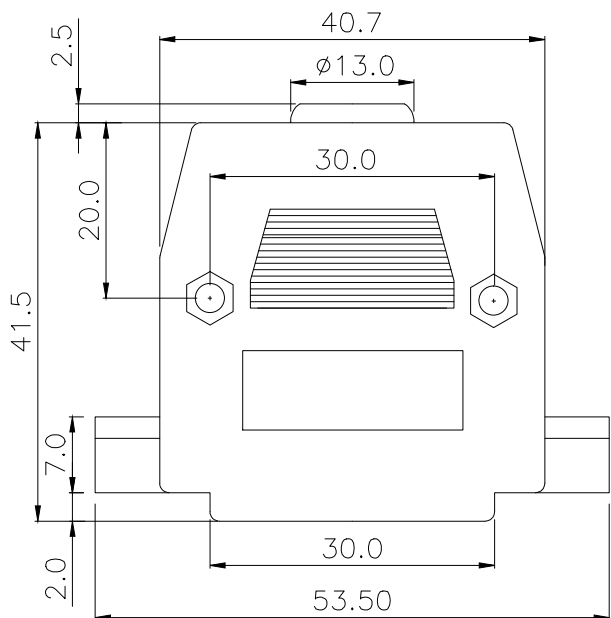
A

B

B

C

C

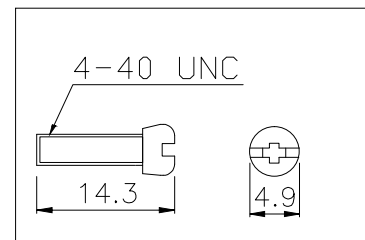
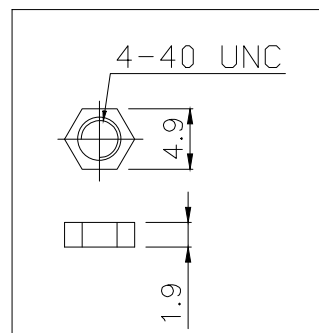


D

D

E

E



F

F

RoHS compliant
Unit: mm

Scale	Free	⑦	Update spec description	06.05.2019	Xavier		Date	Name	Customer-No.
TOLERANCE		⑥	Update the drawing	29.07.2015	Amy	Drawn	12.01.2005	Ken	AGP 25 G-x
X.X	±0.30	⑤	Corrected material	14.12.10	Dean	Approved	29.07.2015	Amy	
X.XX	±0.20	④	Drawing revised	06.07.07	N.Schulz				
DIM	TOL	③	Value E completed	03.08.05	Walter				
		②	Material completed	12.05.05	Walter				Drawing-No.
Angle	±5°								ASS 0557 CO
Angle	TOL	Id.	Modification	Date	Name			Replace	rev07
									Sheet

G

G

H

H

1

2

3

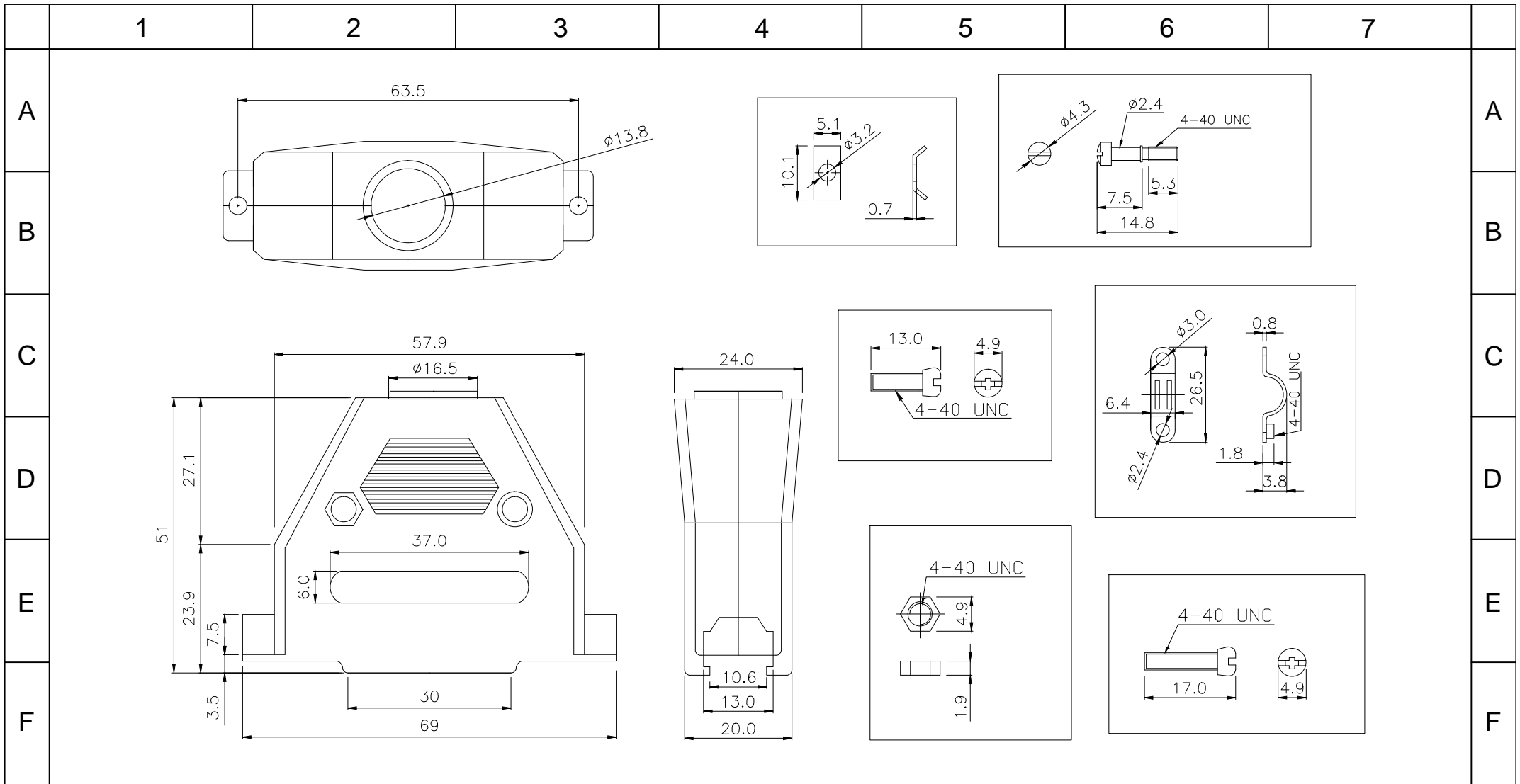
4

5

6

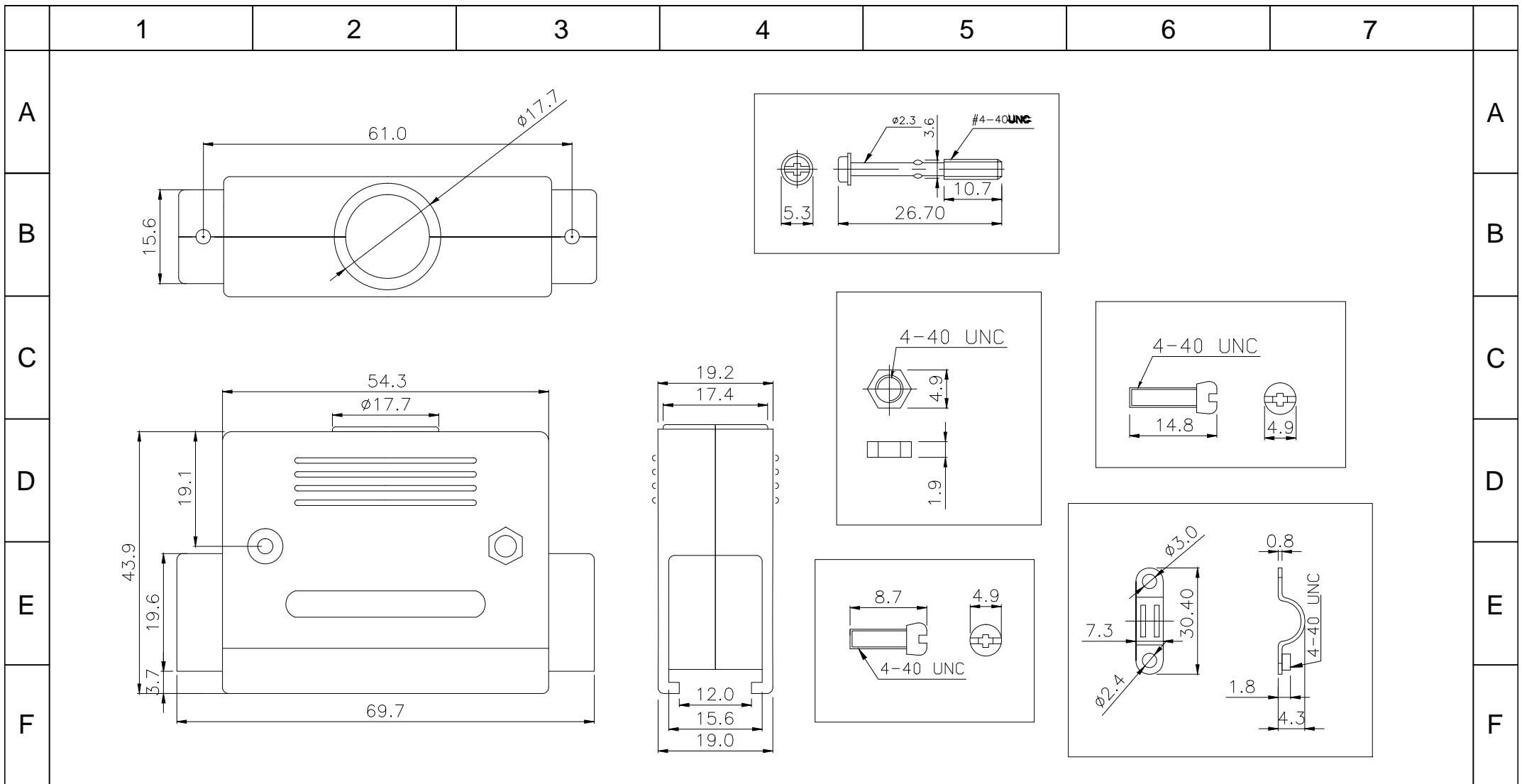
7

SV3931



RoHS compliant
Unit: mm

Scale	Free	⑦	Update spec description	06.05.2019	Xavier		Date	Name	Customer-No.
TOLERANCE		⑥	Update the drawing	29.07.2015	Amy	Drawn	12.01.2005	Ken	ASSMANN WSW-No. AGP 37 G-x
X.X	±0.30	⑤	Corrected material	14.12.10	Dean	Approved	29.07.2015	Amy	
X.XX	±0.20	④	Drawing revised	06.07.07	N.Schulz				
DIM	TOL	③	Value E completed	03.08.05	Walter				Drawing-No.
		②	Material completed	12.05.05	Walter				ASS 0557 CO
Angle	±5°	①	Id.	Modification	Date	Name	Replace	Sheet	
Angle	TOL							5 / 6	



RoHS compliant
Unit: mm

Scale	Free	⑦	Update spec description	06.05.2019	Xavier		Date	Name	Customer-No.
TOLERANCE		⑥	Update the drawing	29.07.2015	Amy	Drawn	12.01.2005	Ken	ASSMANN WSW-No. AGP 50 G-x
X.X	±0.30	⑤	Corrected material	14.12.10	Dean	Approved	29.07.2015	Amy	
X.XX	±0.20	④	Drawing revised	06.07.07	N.Schulz				
DIM	TOL	③	Value E completed	03.08.05	Walter				Drawing-No.
		②	Material completed	12.05.05	Walter				ASS 0557 CO
Angle	±5°	①	Id.	Modification	Date	Name	Replace	Sheet	
Angle	TOL							6 / 6	