

# AK2200/..-5.0-H-GREEN



- 1- to n-poles



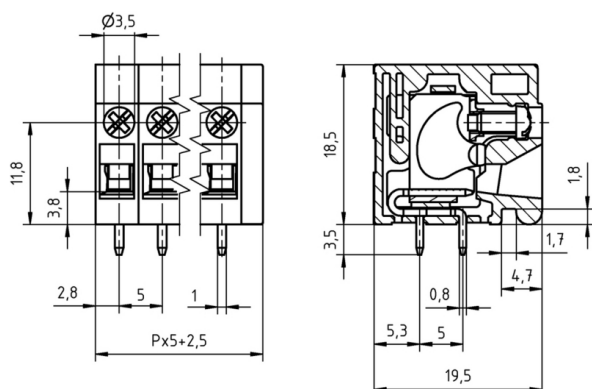
## Technical Data

Wire sizes		Insulating Material	
Solid min	0.2 mm <sup>2</sup>	Material	PA 6.6
Solid max	4.0 mm <sup>2</sup>	Flammability Class	UL 94 V-0
Stranded (flexible) min	0.2mm <sup>2</sup>	<b>Temperatures</b>	
Stranded (flexible) max	2.5 mm <sup>2</sup>	Operating Temperature	-30 °C - 105 °C
Stranded with Ferrule min	0.25 mm <sup>2</sup>	Store Temperature	-40 °C - 105 °C
Stranded with Ferrule max	2.5 mm <sup>2</sup>	<b>Wave Soldering Process</b>	
<b>Dimensions</b>		Soldering Temperature, recommended	265 °C
Stripped Length	9.0 mm	Peak Soldering Time, recommended	3-4 s
PCB Hole Diameter	1.3 mm	<b>Reflow Process</b>	
<b>Materials</b>		Soldering Temperature, recommended	-
Screw	Steel	Peak Soldering Time, recommended	-
Solder Tab	Copper Alloy		
Clamp Cage	Steel		
Excenter	Steel		

## Colours

	GREEN, RAL 6018
	BLACK, RAL 9011
	LIGHT GREEN, similar RAL 6018


Colours according to RAL, there may be variations on colour due to production conditions. Special colours on request.



## Order Data (Spacing 5.0 mm)

Poles	Width (mm)	Article Designation	Article Number	PU
1	7.50	AK2200/1-5.0-H-GREEN	52200010051 E	100
2	12.50	AK2200/2-5.0-H-GREEN	52200020051 D	50
3	17.50	AK2200/3-5.0-H-GREEN	52200030051 D	50
4	22.50	AK2200/4-5.0-H-GREEN	52200040051 D	50
5	27.50	AK2200/5-5.0-H-GREEN	52200050051 D	50
6	32.50	AK2200/6-5.0-H-GREEN	52200060051 D	50
7	37.50	AK2200/7-5.0-H-GREEN	52200070051 D	50
8	42.50	AK2200/8-5.0-H-GREEN	52200080051 D	50
9	47.50	AK2200/9-5.0-H-GREEN	52200090051 D	50
10	52.50	AK2200/10-5.0-H-GREEN	52200100051 D	50
11	57.50	AK2200/11-5.0-H-GREEN	52200110051 D	50
12	62.50	AK2200/12-5.0-H-GREEN	52200120051 D	50

## Accessoires

Figure	Designation	Article Number
	Spacer SPC-AK2200-GREEN	Art.-Nr. 52200000002

See pages 282 ff for detail and general accessories and see pages 12/13 concerning services.

## Ratings

UseGroup	cRU <sup>®</sup> US			VDE	
	B	C	D	250 V	
Rated Voltage	300 V	150 V	300 V	250 V	
Rated Current	20 A	20 A	10 A	24 A	
Rated Wire Size				min	max
- solid	AWG 30-12	AWG 30-12	AWG 30-12	0.5 mm <sup>2</sup>	2.5 mm <sup>2</sup>
-stranded	AWG 30-12	AWG 30-12	AWG 30-12	0.5 mm <sup>2</sup>	2.5 mm <sup>2</sup>
Torque	0.50 - 0.60 Nm	0.50 - 0.60 Nm	0.50 - 0.60 Nm	0.50 Nm	
Screw Size	M2.5	M2.5	M2.5	M2.5	
Test Voltage	1.60 kV	1.30 kV	1.60 kV	2.0 kV	