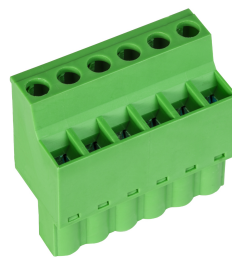


# AKZ1200/..-5.08-GREEN

- 17- to 24-poles on request



## Technical Data

Wire sizes		Insulating Material	
Solid min	0.2 mm <sup>2</sup>	Material	PA 6.6
Solid max	4.0 mm <sup>2</sup>	Flammability Class	UL 94 V-0
Stranded (flexible) min	0.2mm <sup>2</sup>	<b>Temperatures</b>	
Stranded (flexible) max	2.5 mm <sup>2</sup>	Operating Temperature	-30 °C - 105 °C
Stranded with Ferrule min	0.25 mm <sup>2</sup>	Store Temperature	-40 °C - 105 °C
Stranded with Ferrule max	2.5 mm <sup>2</sup>	<b>Wave Soldering Process</b>	
<b>Dimensions</b>		Soldering Temperature, recommended	-
Stripped Length	10.0 mm	Peak Soldering Time, recommended	-
<b>Materials</b>		<b>Reflow Process</b>	
Screw	Steel	Soldering Temperature, recommended	-
Contact Spring	Bronze	Peak Soldering Time, recommended	-
Clamp Cage	Steel		
Excenter	Steel		

## Colours

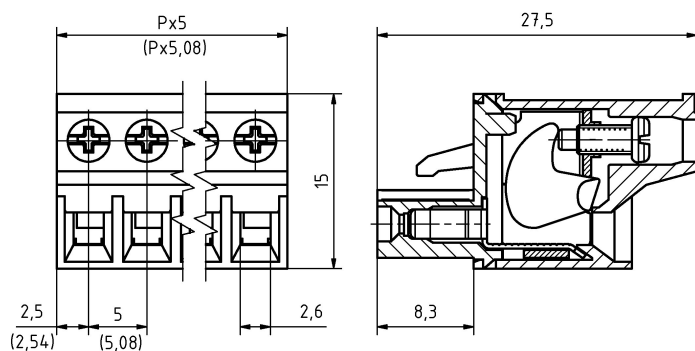
	GREEN, RAL 6018
	LIGHT GREEN, similar RAL 6018

Colours according to RAL, there may be variations on colour due to production conditions. Special colours on request.

## Counterparts (Spacing 5.08 mm)

Pin Strip/Terminal Block				
STLZ950	STLZ970	STLZ990	AKZ950	AKZS950

In combination of connectors with different admission data, the lower value is valid.



## Order Data (Spacing 5.08 mm)

Poles	Width (mm)	Article Designation	Article Number	PU
2	10.16	AKZ1200/2-5.08-GREEN	51200020021 D	50
3	15.24	AKZ1200/3-5.08-GREEN	51200030021 D	50
4	20.32	AKZ1200/4-5.08-GREEN	51200040021 D	50
5	25.40	AKZ1200/5-5.08-GREEN	51200050021 D	50
6	30.48	AKZ1200/6-5.08-GREEN	51200060021 D	50
7	35.56	AKZ1200/7-5.08-GREEN	51200070021 D	50
8	40.64	AKZ1200/8-5.08-GREEN	51200080021 D	50
9	45.72	AKZ1200/9-5.08-GREEN	51200090021 D	50
10	50.80	AKZ1200/10-5.08-GREEN	51200100021 D	50
11	55.88	AKZ1200/11-5.08-GREEN	51200110021 D	50
12	60.96	AKZ1200/12-5.08-GREEN	51200120021 D	50
13	66.04	AKZ1200/13-5.08-GREEN	51200130021 D	50
14	71.12	AKZ1200/14-5.08-GREEN	51200140021 D	50
15	76.20	AKZ1200/15-5.08-GREEN	51200150021 D	50
16	81.28	AKZ1200/16-5.08-GREEN	51200160021 D	50

## Accessoires

Figure	Designation	Article Number
	Coding Star CS4-5.0/5.08-RED	Art.-Nr. 50000000026
	Series AKZ1200 with pull relief	Art.-Nr. on request

See pages 282 ff for detail and general accessories and see pages 12/13 concerning services.

## Ratings

UseGroup	cRU <sup>®</sup> US			VDE	
	B	C	D		
Rated Voltage	300 V	150 V	300 V	250 V	
Rated Current	15 A	15 A	10 A	12 A	
Overvoltage Category				III	
Rated Wire Size				min	max
	- solid	AWG 22-12	AWG 22-12	AWG 22-12	0.2 mm <sup>2</sup> (4 A) / 2.5 mm <sup>2</sup> (12 A)
	-stranded	AWG 22-12	AWG 22-12	AWG 22-12	0.2 mm <sup>2</sup> (4 A) / 2.5 mm <sup>2</sup> (12 A)
Torque	0.50 Nm	0.50 Nm	0.50 Nm	0.50 Nm	
Screw Size	M2.5	M2.5	M2.5	M2.5	
Test Voltage	1.60 kV	1.30 kV	1.60 kV	4.0 kV	
Pollution Degree				3	