

## AKZ1550/..-3.81-GREEN



## Technical Data

Wire sizes		Insulating Material	
Solid min	0.14 mm <sup>2</sup>	Material	PA 6.6
Solid max	1.5 mm <sup>2</sup>	Flammability Class	UL 94 V-0
Stranded (flexible) min	0.14mm <sup>2</sup>	<b>Temperatures</b>	
Stranded (flexible) max	1.5 mm <sup>2</sup>	Operating Temperature	-30 °C - 105 °C
Stranded with Ferrule min	0.25 mm <sup>2</sup>	Store Temperature	-40 °C - 105 °C
Stranded with Ferrule max	1.0 mm <sup>2</sup>	<b>Wave Soldering Process</b>	
<b>Dimensions</b>		Soldering Temperature, recommended	-
Stripped Length	7.0 mm	Peak Soldering Time, recommended	-
<b>Materials</b>		<b>Reflow Process</b>	
Clamp	Brass	Soldering Temperature, recommended	-
Screw	Bronze	Peak Soldering Time, recommended	-
Contact Spring	Bronze		

## Colours

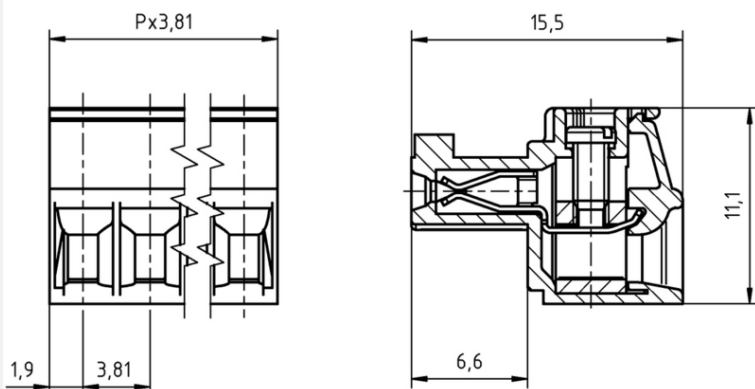
	GREEN, RAL 6018
	BLACK, RAL 9011
	BLUE, RAL 5015
	LIGHT GREEN, similar RAL 6018

Colours according to RAL, there may be variations on colour due to production conditions. Special colours on request.

## Counterparts (Spacing 3.81 mm)

Pin Strip	STLZ1570	STLZ1590
STLZ1550		





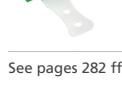
In combination of connectors with different admission data, the lower value is valid.



## Order Data (Spacing 3.81 mm)

Poles	Width (mm)	Article Designation	Article Number	PU
2	7.62	AKZ1550/2-3.81-GREEN	51550020025 F	200
3	11.43	AKZ1550/3-3.81-GREEN	51550030025 F	200
4	15.24	AKZ1550/4-3.81-GREEN	51550040025 F	200
5	19.05	AKZ1550/5-3.81-GREEN	51550050025 F	200
6	22.86	AKZ1550/6-3.81-GREEN	51550060025 E	100
7	26.67	AKZ1550/7-3.81-GREEN	51550070025 E	100
8	30.48	AKZ1550/8-3.81-GREEN	51550080025 D	50
9	34.29	AKZ1550/9-3.81-GREEN	51550090025 D	50
10	38.10	AKZ1550/10-3.81-GREEN	51550100025 D	50
11	41.91	AKZ1550/11-3.81-GREEN	51550110025 D	50
12	45.72	AKZ1550/12-3.81-GREEN	51550120025 D	50
13	49.53	AKZ1550/13-3.81-GREEN	51550130025 D	50
14	53.34	AKZ1550/14-3.81-GREEN	51550140025 D	50
15	57.15	AKZ1550/15-3.81-GREEN	51550150025 D	50
16	60.96	AKZ1550/16-3.81-GREEN	51550160025 D	50
17	64.77	AKZ1550/17-3.81-GREEN	51550170025 D	50
18	68.58	AKZ1550/18-3.81-GREEN	51550180025 D	50
19	72.39	AKZ1550/19-3.81-GREEN	51550190025 D	50
20	76.20	AKZ1550/20-3.81-GREEN	51550200025 D	50

## Accessoires

Figure	Designation	Article Number
	Bridge, 2-pole, BR/2-3.5/3.81-L7.5	Art.-Nr. 50000000015
	Bridge, 3-pole, BR/3-3.5/3.81-L7.5	Art.-Nr. 50000000016
	Bridge, 2-pole, angled, BR/2-3.5/3.81-H-L7.5	Art.-Nr. 50000000029
	Bridge, 2-pole, insulated, BRI/2-7.0/7.62-L7.5-LIGHT GREY	Art.-Nr. 50000000018
	Series AK(Z)1550 with pull relief	Art.-Nr. on request

See pages 282 ff for detail and general accessories and see pages 12/13 concerning services.

## Ratings

UseGroup	cRU <sup>®</sup> US			VDE	
	B	C	D		
Rated Voltage	300 V	-	300 V	160 V	
Rated Current	8 A	-	8 A	8 A	
Overvoltage Category				III	
Rated Wire Size				min	max
- solid	AWG 28-16	-	AWG 28-16	0.5 mm <sup>2</sup> (6 A)	1.5 mm <sup>2</sup> (8 A)
-stranded	AWG 28-16	-	AWG 28-16	0.5 mm <sup>2</sup> (6 A)	1.5 mm <sup>2</sup> (8 A)
Torque	0.25 Nm	-	0.25 Nm	0.25 Nm	
Screw Size	M2	-	M2	M2	
Test Voltage	1.60 kV	-	1.60 kV	2.5 kV	
Pollution Degree				3	