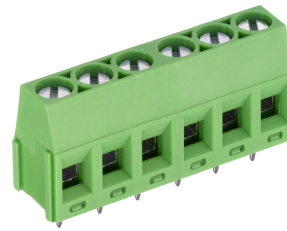


## AKZ350/..-5.08-V-GREEN



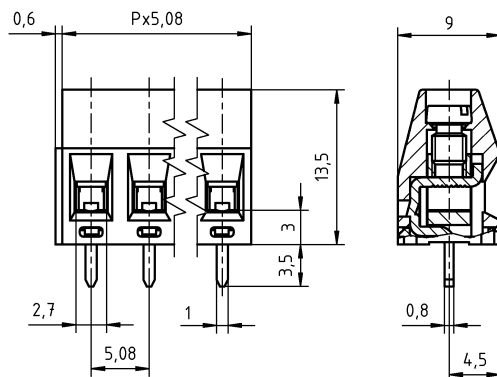
## Technical Data

Wire sizes		Insulating Material	
Solid min	0.14 mm <sup>2</sup>	Material	PA 6.6
Solid max	2.5 mm <sup>2</sup>	Flammability Class	UL 94 V-0
Stranded (flexible) min	0.14mm <sup>2</sup>	<b>Temperatures</b>	
Stranded (flexible) max	1.5 mm <sup>2</sup>	Operating Temperature	-30 °C - 105 °C
Stranded with Ferrule min	0.25 mm <sup>2</sup>	Store Temperature	-40 °C - 105 °C
Stranded with Ferrule max	1.5 mm <sup>2</sup>	<b>Wave Soldering Process</b>	
<b>Dimensions</b>		Soldering Temperature, recommended	265 °C
Stripped Length	6.0 mm	Peak Soldering Time, recommended	3-4 s
PCB Hole Diameter	1.3 mm	<b>Reflow Process</b>	
<b>Materials</b>		Soldering Temperature, recommended	-
Clamp	Brass	Peak Soldering Time, recommended	-
Screw	Steel		
Solder Tab	Brass		

## Colours

	GREEN, RAL 6018
	LIGHT GREY, RAL 7035
	BLUE, RAL 5015
	LIGHT GREEN, similar RAL 6018

Colours according to RAL, there may be variations on colour due to production conditions. Special colours on request.



## Order Data (Spacing 5.08 mm)

Poles	Width (mm)	Article Designation	Article Number	PU
2	10.76	AKZ350/2-5.08-V-GREEN	50350020001 F	200
3	15.84	AKZ350/3-5.08-V-GREEN	50350030001 F	200
4	20.92	AKZ350/4-5.08-V-GREEN	50350040001 F	200
5	26.00	AKZ350/5-5.08-V-GREEN	50350050001 F	200
6	31.08	AKZ350/6-5.08-V-GREEN	50350060001 E	100
7	36.16	AKZ350/7-5.08-V-GREEN	50350070001 E	100
8	41.24	AKZ350/8-5.08-V-GREEN	50350080001 E	100
9	46.32	AKZ350/9-5.08-V-GREEN	50350090001 E	100
10	51.40	AKZ350/10-5.08-V-GREEN	50350100001 D	50
11	56.48	AKZ350/11-5.08-V-GREEN	50350110001 D	50
12	61.56	AKZ350/12-5.08-V-GREEN	50350120001 D	50

## Accessoires

Figure	Designation	Article Number
	Bridge, 2-pole, insulated, BRI/2-5.0/5.08-LIGHT GREY	Art.-Nr. 50000000006
	Bridge, 3-pole, insulated, BRI/3-5.0/5.08-LIGHT GREY	Art.-Nr. 50000000007
	Bridge, 2-pole, BR/2-5.0/5.08-L7.0	Art.-Nr. 50000000008

See pages 282 ff for detail and general accessories and see pages 12/13 concerning services.

## Ratings

UseGroup	cRU <sup>®</sup> US			VDE	
	B	C	D		
Rated Voltage	300 V	150 V	300 V	250 V	
Rated Current	15 A	15 A	10 A	17.5 A	
Rated Wire Size				min	max
- solid	AWG 22-12	AWG 22-12	AWG 22-12	0.5 mm <sup>2</sup>	2.5 mm <sup>2</sup>
-stranded	AWG 22-12	AWG 22-12	AWG 22-12	0.5 mm <sup>2</sup>	1.5 mm <sup>2</sup>
Torque	0.50-0.60 Nm	0.50-0.60 Nm	0.50-0.60 Nm	0.50 Nm	
Screw Size	M3	M3	M3	M3	
Test Voltage	1.60 kV	1.30 kV	1.60 kV	2.0 kV	