

AKZ500/..DS-5.08-H-GREY



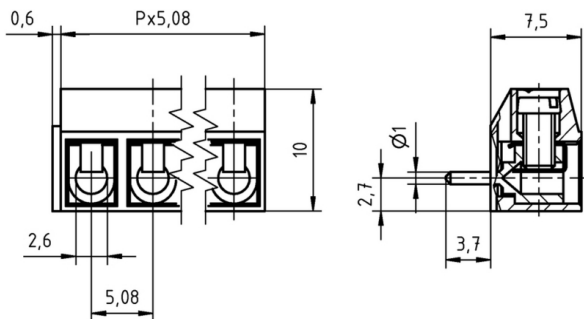
Technical Data

Wire sizes		Insulating Material	
Solid min	0.2 mm ²	Material	PA 6.6
Solid max	1.5 mm ²	Flammability Class	UL 94 V-0
Stranded (flexible) min	0.2mm ²	Temperatures	
Stranded (flexible) max	1.5 mm ²	Operating Temperature	-30 °C - 105 °C
Stranded with Ferrule min	0.2 mm ²	Store Temperature	-40 °C - 105 °C
Stranded with Ferrule max	1.5 mm ²	Wave Soldering Process	
Dimensions		Soldering Temperature, recommended	265 °C
Stripped Length	5.0 mm	Peak Soldering Time, recommended	3-4 s
PCB Hole Diameter	1.3 mm	Reflow Process	
Materials		Soldering Temperature, recommended	-
Clamp	Brass	Peak Soldering Time, recommended	-
Wire Guard	Stainless Steel		
Screw	Steel		

Colours

	GREY, RAL 7016
	BLUE, RAL 5015

Colours according to RAL, there may be variations on colour due to production conditions. Special colours on request.



Order Data (Spacing 5.08 mm)

Poles	Width (mm)	Article Designation	Article Number	PU
2	10.76	AKZ500/2DS-5.08-H-GREY	50500020184 G	250
3	15.84	AKZ500/3DS-5.08-H-GREY	50500030184 G	250
4	20.92	AKZ500/4DS-5.08-H-GREY	50500040184 G	250
5	26.00	AKZ500/5DS-5.08-H-GREY	50500050184 G	250
6	31.08	AKZ500/6DS-5.08-H-GREY	50500060184 G	250
7	36.16	AKZ500/7DS-5.08-H-GREY	50500070184 G	250
8	41.24	AKZ500/8DS-5.08-H-GREY	50500080184 E	100
9	46.32	AKZ500/9DS-5.08-H-GREY	50500090184 E	100
10	51.40	AKZ500/10DS-5.08-H-GREY	50500100184 E	100
11	56.48	AKZ500/11DS-5.08-H-GREY	50500110184 E	100
12	61.56	AKZ500/12DS-5.08-H-GREY	50500120184 E	100

Accessoires

Figure	Designation	Article Number
	Bridge, 2-pole, insulated, BRI/2-5.0/5.08-LIGHT GREY	Art.-Nr. 50000000006
	Bridge, 3-pole, insulated, BRI/3-5.0/5.08-LIGHT GREY	Art.-Nr. 50000000007
	Bridge, 2-pole, BR/2-5.0/5.08-L7.0	Art.-Nr. 50000000008

See pages 282 ff for detail and general accessories and see pages 12/13 concerning services.

Ratings

UseGroup	C ^{RU} US			VDE	
	B	C	D		
Rated Voltage	300 V	-	300 V	250 V	
Rated Current	15 A	-	10 A	17.5 A	
Rated Wire Size				min	max
- solid	AWG 22-14	-	AWG 22-14	0.5 mm ²	1.5 mm ²
-stranded	AWG 22-14	-	AWG 22-14	0.5 mm ²	1.5 mm ²
Torque	0.40 Nm	-	0.40 Nm	0.40 Nm	
Screw Size	M2.6	-	M2.6	M2.6	
Test Voltage	1.60 kV	-	1.60 kV	2.0 kV	