

## AKZ602/..-3.81-V-GREEN



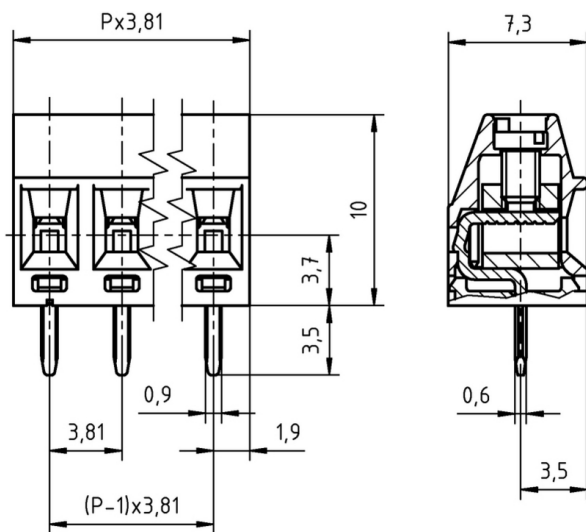
## Technical Data

Wire sizes		Insulating Material	
Solid min	0.14 mm <sup>2</sup>	Material	PA 6.6
Solid max	1.5 mm <sup>2</sup>	Flammability Class	UL 94 V-0
Stranded (flexible) min	0.14mm <sup>2</sup>	<b>Temperatures</b>	
Stranded (flexible) max	1.0 mm <sup>2</sup>	Operating Temperature	-30 °C - 105 °C
Stranded with Ferrule min	0.25 mm <sup>2</sup>	Store Temperature	-40 °C - 105 °C
Stranded with Ferrule max	0.5 mm <sup>2</sup>	<b>Wave Soldering Process</b>	
<b>Dimensions</b>		Soldering Temperature, recommended	265 °C
Stripped Length	5.0 mm	Peak Soldering Time, recommended	3-4 s
PCB Hole Diameter	1.1 mm	<b>Reflow Process</b>	
<b>Materials</b>		Soldering Temperature, recommended	-
Clamp	Brass	Peak Soldering Time, recommended	-
Screw	Bronze		
Solder Tab	Copper Alloy		

## Colours

	GREEN, RAL 6018
	LIGHT GREEN, similar RAL 6018

Colours according to RAL, there may be variations on colour due to production conditions. Special colours on request.



## Order Data (Spacing 3.81 mm)

Poles	Width (mm)	Article Designation	Article Number	PU
2	7.62	AKZ602/2-3.81-V-GREEN	50602020021 F	200
3	11.43	AKZ602/3-3.81-V-GREEN	50602030021 F	200
4	15.24	AKZ602/4-3.81-V-GREEN	50602040021 F	200
5	19.05	AKZ602/5-3.81-V-GREEN	50602050021 F	200
6	22.86	AKZ602/6-3.81-V-GREEN	50602060021 E	100
7	26.67	AKZ602/7-3.81-V-GREEN	50602070021 E	100
8	30.48	AKZ602/8-3.81-V-GREEN	50602080021 E	100
9	34.29	AKZ602/9-3.81-V-GREEN	50602090021 E	100
10	38.10	AKZ602/10-3.81-V-GREEN	50602100021 D	50
11	41.91	AKZ602/11-3.81-V-GREEN	50602110021 D	50
12	45.72	AKZ602/12-3.81-V-GREEN	50602120021 D	50
13	49.53	AKZ602/13-3.81-V-GREEN	50602130021 D	50
14	53.34	AKZ602/14-3.81-V-GREEN	50602140021 D	50
15	57.15	AKZ602/15-3.81-V-GREEN	50602150021 D	50
16	60.96	AKZ602/16-3.81-V-GREEN	50602160021 D	50

## Accessoires

Figure	Designation	Article Number
	Bridge, 2-pole, insulated, BR/2-7.0/7.62-L7.5-LIGHT GREY	Art.-Nr. 50000000018
	Bridge, 2-pole, angled, BR/2-3.5/3.81-H-L4.7	Art.-Nr. 50000000019
	Bridge, 2-pole, BR/2-3.5/3.81-L4.7	Art.-Nr. 50000000013
	Bridge, 3-pole, BR/3-3.5/3.81-L4.7	Art.-Nr. 50000000014

See pages 282 ff for detail and general accessories and see pages 12/13 concerning services.

## Ratings

UseGroup	cRU <sup>®</sup> US			VDE	
	B	C	D		
Rated Voltage	300 V	-	-	130 V	
Rated Current	10 A	-	-	13.5 A	
Rated Wire Size				min	max
	- solid	AWG 30-16	-	0.5 mm <sup>2</sup>	1.0 mm <sup>2</sup>
	-stranded	AWG 30-16	-	0.5 mm <sup>2</sup>	1.0 mm <sup>2</sup>
Torque	0.25 Nm	-	-	0.20 Nm	
Screw Size	M2	-	-	M2	
Test Voltage	1.60 kV	-	-	1.25 kV	