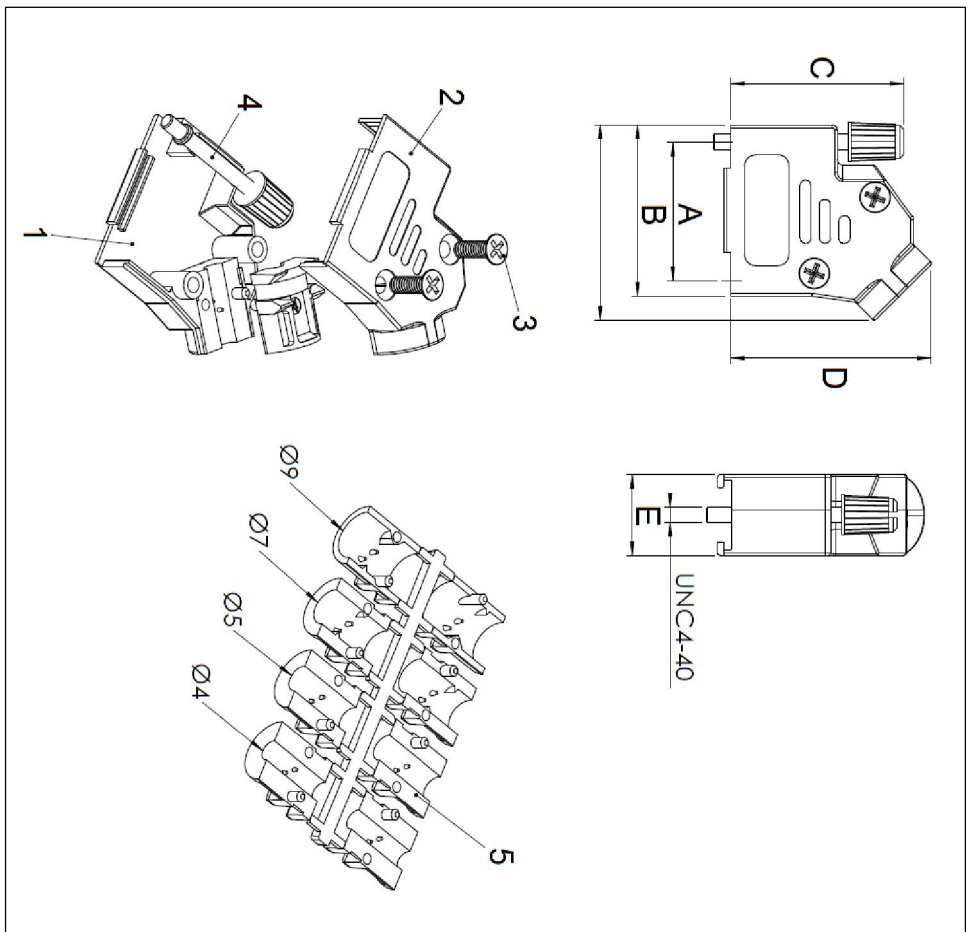


1	2	3	4	5	6	7
---	---	---	---	---	---	---



Order Code
AMET - XX - RS - 45

1 No. of contacts
09,15,25,37

Black anodized version on request

09-poles only with one knurledge screw available

Delivery includes
2 half-sheels
2 knurledge screws
2 screws
8 half shells of strain relief

Attenuation factor
>40 dB between 30MHz and 1GHz

Requirements
VDE 0871, FCC 20780, 89/336/EU

SPECIFICATION MATERIAL Features
Material and finish
Zinc-die-cast, nickel plated

Temperature range
-40° to +120°

Cable diameter
4.0-13.0mm

ITEM NO.	DESCRIPTION
1	Cover bottom
2	Cover top
3	Jack screws
4	Screws
5	Strain relief

No. of contacts	Dimensions				
	A	B	C	D	E
09	25	31.0	31.3	36.2	14.6
15	33.3	39.3	31.3	40.2	14.6
25	47.0	53.2	31.3	40.2	14.6
37	63.5	69.7	31.3	40.2	14.6

G	Scale		Free															
	TOLERANCE																	
H	X.			⑤	Change of Design	05.03.2014	A. Plate	Drawn	02.07.2007	Hellwig	Customer-No.							
	X.XX			④	Add sheet 2	13.02.2012	Lucas	Approved	13.02.2012	Hellwig	ASSMANN WSW-No.	AMET-xx-RS-45						
	DIM		TOL	③	Change dimension	28.03.2011	Rate				Drawing-No.	ASS 041 1A CO	rev05					
	X.°			②	Redrawn	28.06.2010	Dean				Replace		Sheet 1/2					
H	X.X°			①	Drawn	02.07.2007	Hellwig											
	Angle		TOL		Modification		Name											
1		2		3		4		5		6		7						

ROHS compliant
Unit: mm



	1	2	3	4	5	6	7																																																																																		
A																																																																																									
B																																																																																									
C	<p>General Tolerances: ISO2768-m</p>																																																																																								
D																																																																																									
E																																																																																									
F																																																																																									
G	<table border="1"> <tr> <td>Scale</td> <td>Free</td> <td></td> <td></td> <td></td> <td></td> <td></td> <td></td> <td>Customer-No.</td> </tr> <tr> <td>TOLERANCE</td> <td></td> <td>⑤</td> <td>Change of Design</td> <td>05.03.2014</td> <td>A. Plate</td> <td>Drawn</td> <td>02.07.2007</td> <td>Hellwig</td> </tr> <tr> <td>X.</td> <td></td> <td>④</td> <td>Add sheet 2</td> <td>13.02.2012</td> <td>Lucas</td> <td>Approved</td> <td>13.02.2012</td> <td>Hellwig</td> </tr> <tr> <td>X.X</td> <td></td> <td>③</td> <td>Change dimension</td> <td>28.03.2011</td> <td>Rate</td> <td></td> <td></td> <td></td> </tr> <tr> <td>X.XX</td> <td></td> <td>②</td> <td>Redrawn</td> <td>28.06.2010</td> <td>Dean</td> <td></td> <td></td> <td></td> </tr> <tr> <td>DIM</td> <td>TOL</td> <td>①</td> <td>Drawn</td> <td>02.07.2007</td> <td>Hellwig</td> <td></td> <td></td> <td></td> </tr> <tr> <td>X.°</td> <td></td> <td></td> <td></td> <td></td> <td></td> <td></td> <td></td> <td></td> </tr> <tr> <td>X.X°</td> <td></td> <td></td> <td></td> <td></td> <td></td> <td></td> <td></td> <td></td> </tr> <tr> <td>Angle</td> <td>TOL</td> <td></td> <td>Modification</td> <td></td> <td></td> <td></td> <td></td> <td></td> </tr> </table>							Scale	Free							Customer-No.	TOLERANCE		⑤	Change of Design	05.03.2014	A. Plate	Drawn	02.07.2007	Hellwig	X.		④	Add sheet 2	13.02.2012	Lucas	Approved	13.02.2012	Hellwig	X.X		③	Change dimension	28.03.2011	Rate				X.XX		②	Redrawn	28.06.2010	Dean				DIM	TOL	①	Drawn	02.07.2007	Hellwig				X.°									X.X°									Angle	TOL		Modification						
Scale	Free							Customer-No.																																																																																	
TOLERANCE		⑤	Change of Design	05.03.2014	A. Plate	Drawn	02.07.2007	Hellwig																																																																																	
X.		④	Add sheet 2	13.02.2012	Lucas	Approved	13.02.2012	Hellwig																																																																																	
X.X		③	Change dimension	28.03.2011	Rate																																																																																				
X.XX		②	Redrawn	28.06.2010	Dean																																																																																				
DIM	TOL	①	Drawn	02.07.2007	Hellwig																																																																																				
X.°																																																																																									
X.X°																																																																																									
Angle	TOL		Modification																																																																																						
H	<p>ROHS compliant</p> <p>Unit: mm</p>																																																																																								
	1	2	3	4	5	6	7																																																																																		
	<table border="1"> <tr> <td rowspan="2"> </td> <td colspan="2">Date</td> <td colspan="2">Name</td> <td rowspan="2"> Drawing-No. ASS 0411A CO </td> <td rowspan="2"> Sheet 2/2 </td> </tr> <tr> <td>Drawn</td> <td>02.07.2007</td> <td>Hellwig</td> <td>Hellwig</td> </tr> <tr> <td colspan="2"> </td> <td colspan="2"> Customer-No. AMET-xx-RS-45 </td> <td colspan="2"> Replace </td> <td></td> </tr> </table>								Date		Name		Drawing-No. ASS 0411A CO	Sheet 2/2	Drawn	02.07.2007	Hellwig	Hellwig			Customer-No. AMET-xx-RS-45		Replace																																																																		
	Date		Name		Drawing-No. ASS 0411A CO	Sheet 2/2																																																																																			
	Drawn	02.07.2007	Hellwig	Hellwig																																																																																					
		Customer-No. AMET-xx-RS-45		Replace																																																																																					