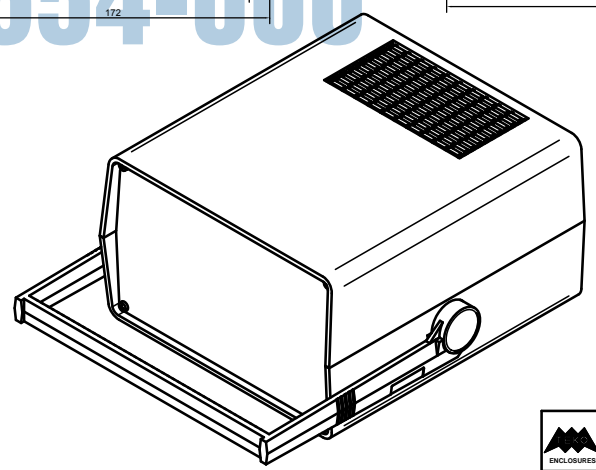


PCB MAX SIZE



www.net.hu
 Elektronika
 Tel.: +36 62 554-600

	Assembly AUS-55	AUS-55
	<small>Subject to technical modification without prior notice. Typographical and other errors do not justify any claim for damaged parts. All dimensions should be verified using an actual mounted part. The conditions that the distributor, reseller or customer may be imposed upon the manufacturer of the product are not binding on the manufacturer of the product.</small>	
	1:1	1:1
	A0	14022006