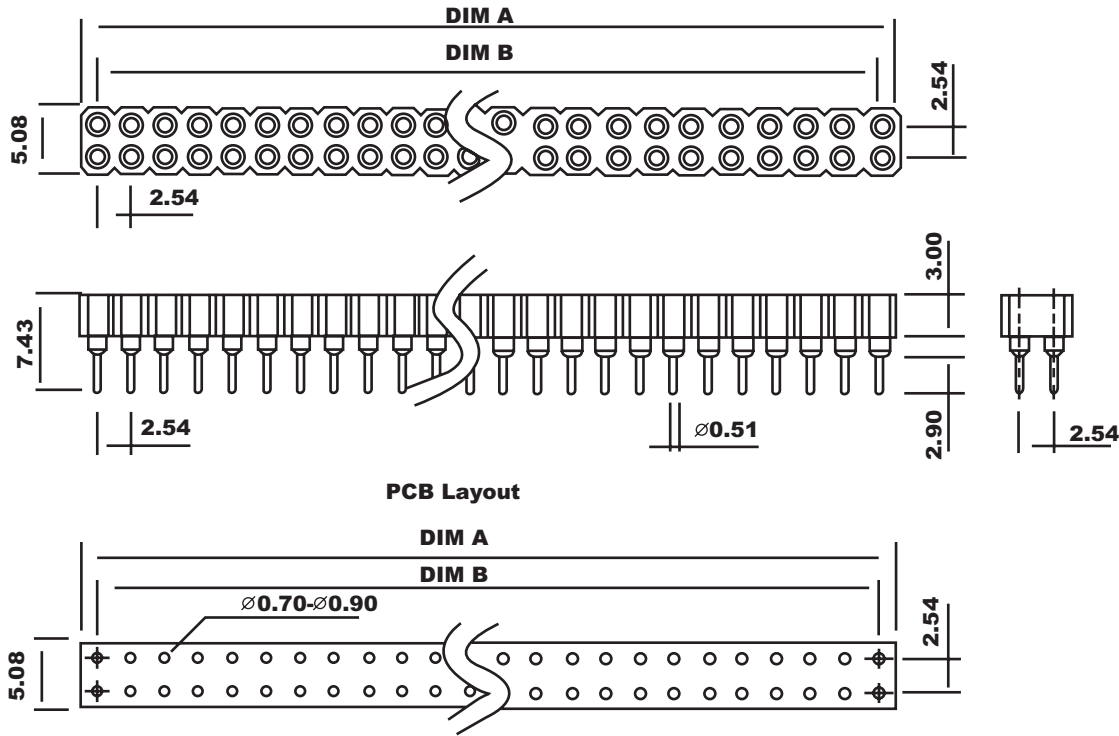


1 2 3 4

Double row strip socket pitch 2.54mm



Contact	DIM A	DIM B
10	12.70	10.16
14	17.78	15.24
16	20.32	17.78
20	25.40	22.86
26	33.02	30.48
32	40.64	38.10
34	43.18	40.64
40	50.80	48.26
50	63.50	60.96
60	76.20	73.66
64	81.28	78.74

**RoHS**  
Compliant

PIN: Brass, Machined, CuZn38Pb2  
 Plating: 2um/80u" nickel, 5um/200" TIN  
 Plating Inner Contact: 2um/80u" nickel, Gold  
 Insulator: Polyamide, glass filled, UL94V-0  
 Current Rating: 3A/Contact max.  
 Contact Resistance: <4mOhm/Contact  
 Insulation Resistance: >1000Mohm at V=100V  
 Operating: 60Vac/DC  
 Operating Temperature: -40°C to +105°C  
 Soldering Temperature: 260°C 10's max

Description	
Name:	AWD127/xx/Z-T
	Female socket w/machined pins, double row

THIS DRAWING IS UNPUBLISHED  
 © Copyright 2005 by Assmann Electronic Components All International Rights Reserved  
 This drawing is a controlled document for Assmann Electronics, Inc. It is subject to change and the controlling engineering organization should be contacted for the latest revision.

1 2 3 4

A

B

C

D

A

B

C

D