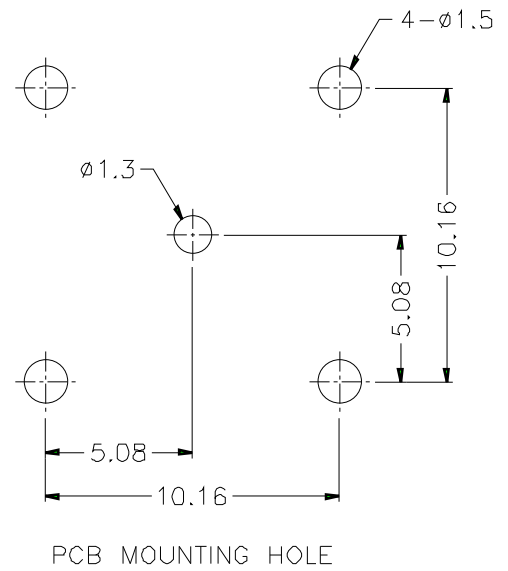
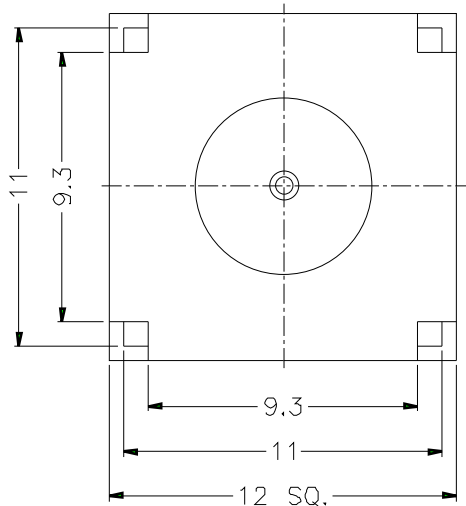
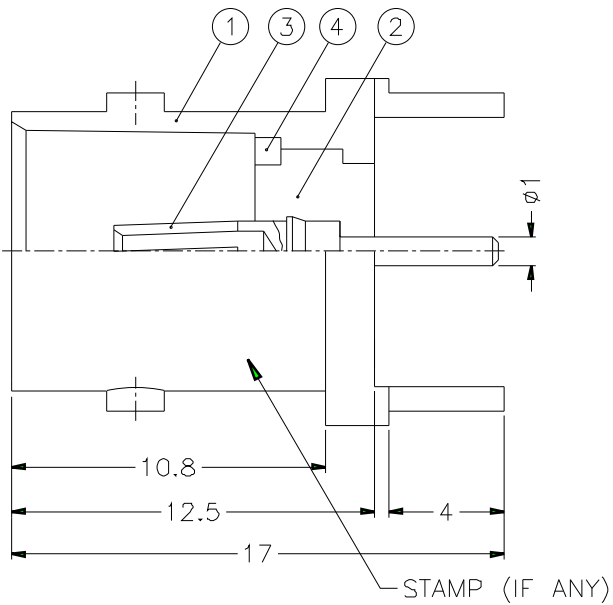


1			2			3			4			5			6			7			8		
REVISIONS																							
ISS	ZONE	DESCRIPTION\PER REQUEST\DATE																					



- NOTES: FINISH (PLATING THICKNESS IN MICRO-INCHES)
1. BRASS PER QQ-B-626
  2. BRASS PER QQ-B-613
  3. NICKEL PL. 100 MIN. THICK OVER COPPER STRIKE
  4. PHOSPHOR BRONZE PER QQ-B-750
  5. GOLD PL. 3 MIN. THICK OVER NICKEL PL. 100 MIN. THICK OVER COPPER STRIKE
  6. TEFLON MIL-P-19468

DIMENSIONS ARE IN MILLIMETERS				PART NO. B6251F1-NT3G-75	
UNLESS OTHERWISE SPECIFIED TOLERANCES				APPROVED DATE 10-11-01'	
0.5-6 = ±0.2				CHECKED DATE 10-11-01'	
6-30 = ±0.4				DRAWN DATE 10-11-01'	
30-120 = ±0.6				FILE NO	
120-315 = ±1					
315-1000 = ±1.6					
1000-2000 = ±2.4					

<b>Amphenol</b>	
TITLE BNC P.C. MOUNT RECEPT. JACK	
DRAWING NO. KJ-B6251F1-NT3G-75	
ITEM NO.	

4	LOCK RING	NOTE 2	NOTE 3	1	LR-79/62X08
3	CONTACT PIN	NOTE 4	NOTE 5	1	B7702-3
2	INSULATOR	NOTE 6	NATURAL	1	B7702-2T-75
1	BODY	NOTE 1	NOTE 3	1	B7702-1-B
NO.	DESCRIPTION	MATERIAL	FINISH	Q'TY	DRAWING NO