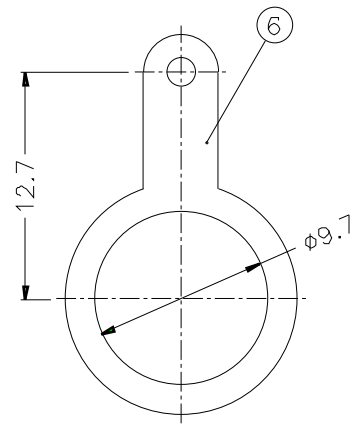
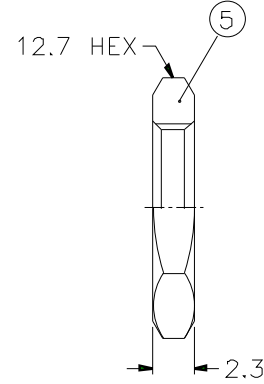


RECOMMENDED MOUNTING HOLE



NOTES: FINISH (PLATING THICKNESS IN MICRO-INCHES)

- 1. BRASS PER QQ-B-626
- 2. BRASS PER QQ-B-613
- 3. NICKEL PL. 100 MIN. THICK OVER COPPER STRIKE
- 4. PHOSPHOR BRONZE PER QQ-B-750
- 5. GOLD PL. 3 MIN. THICK OVER NICKEL PL. 100 MIN. THICK OVER COPPER STRIKE
- 6. TEFLON MIL-P-19468

1. MAX. PANEL THICKNESS=3.2mm

DIMENSIONS ARE IN MILLIMETERS

UNLESS OTHERWISE SPECIFIED TOLERANCES	
0.5-6	= ±0.2
6-30	= ±0.4
30-120	= ±0.6
120-315	= ±1
315-1000	= ±1.6
1000-2000	= ±2.4

PART NO. B6351B1-NT3G-50

APPROVED DATE 10-11-01'

CHECKED DATE 10-11-01'

DRAWN DATE 10-11-01'

FILE NO.

Amphenol

TITLE BNC BULKHEAD RECEPT. JACK

DRAWING NO. KJ-B6351B1-NT3G-50

ITEM NO.

NO.	DESCRIPTION	MATERIAL	FINISH	Q'TY	DRAWING NO.
6	SOLDER TAG	NOTE 2	NOTE 3	1	B7310-7
5	HEX NUT	NOTE 1	NOTE 3	1	HN127-3/8-32 X23
4	LOCK WASHER	NOTE 2	NOTE 3	1	LW-127/97X05
3	CONTACT PIN	NOTE 4	NOTE 5	1	B7310-3-50
2	INSULATOR	NOTE 6	NATURAL	1	B7310-2T-50-B
1	BODY	NOTE 1	NOTE 3	1	B7310-1