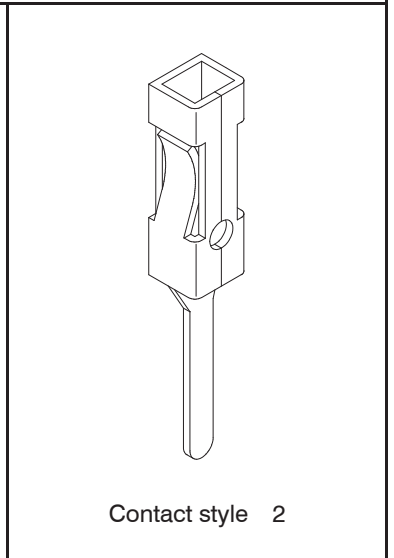
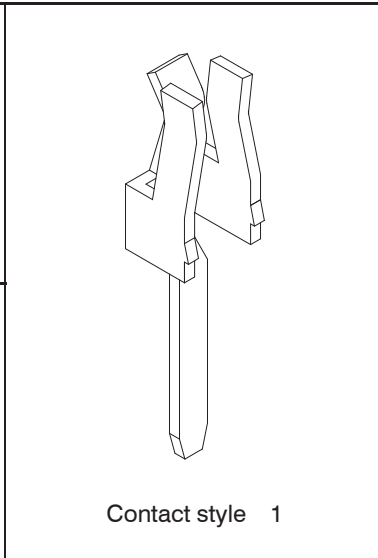


**SPECIFICATIONS**

Current rating	3 A
Insulator resistance	1000 M $\Omega$ min.
Contact resistance	20 m $\Omega$ max.
Withstanding voltage	500 V AC
Operating temperature	-40°C to +105°C
Contact material	Phosphor Bronze
Insulator material	P.B.T. UL 94 V-0



How to order

**BF x - xxx - X xxx - 55**

Rows	Nbr of contacts	Code	Connector style	Contact style	DIM "A" (mm)	DIM "B" (mm)	DIM "C" (mm)	DIM "D" (mm)	DIM "E" (mm)	Plating
<b>1</b> = 1 row <b>2</b> = 2 rows	<b>002 to 040</b> (1 row) <b>004 to 080</b> (2 rows)	<b>S 500</b>	straight	1	5.00	1.50	0.42	2.50 (1 row) 5.00 (2 rows)	3.20	<b>55</b> = gold  Other platings on request
<b>1</b> = 1 row	<b>002 to 040</b> (1 row)	<b>R 500</b>	R/A	1	6.10	1.50	0.42	2.50 (1 row)		
<b>1</b> = 1 row <b>2</b> = 2 rows	<b>002 to 030</b> (1 row) <b>004 to 060</b> (2 rows)	<b>S 680</b>	straight	2	6.80	3.50	0.50	3.50 (1 row) 5.80 (2 rows)	3.50	
<b>1</b> = 1 row <b>2</b> = 2 rows	<b>002 to 040</b> (1 row) <b>004 to 080</b> (2 rows)	<b>S 710</b>	straight	1	7.10	1.50	0.22	2.50 (1 row) 5.00 (2 rows)	3.20	
<b>1</b> = 1 row <b>2</b> = 2 rows	<b>002 to 040</b> (1 row) <b>004 to 080</b> (2 rows)	<b>S 850</b>	straight	1	8.50	1.50	0.22	3.00 (1 row) 5.50 (2 rows)	3.20	