

ROHS Compliant

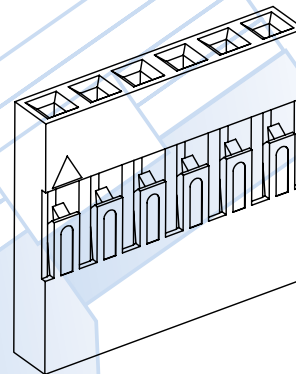
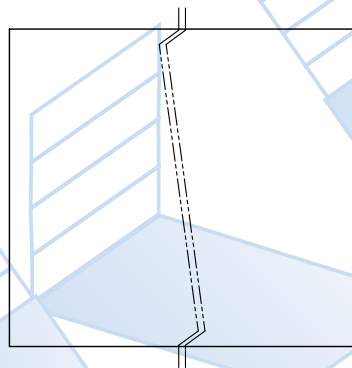
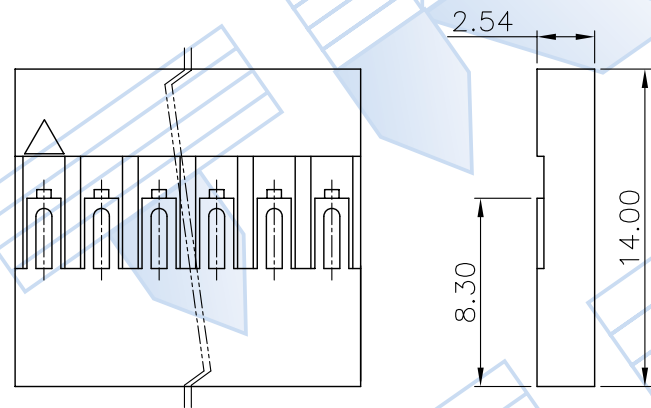
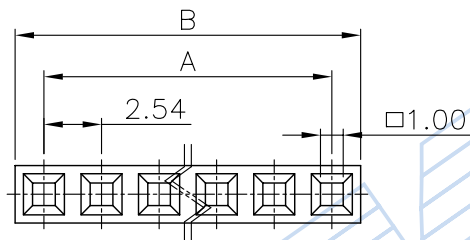


台灣駿品端子股份有限公司

TAIWAN KING PIN TERMINAL CO.,LTD

台北縣樹林市俊德街 23 號

TEL:886-2-26895596.26886112 FAX:886-2-26886110
E-mail:tkp01.a88@msa.hinet.net http://www.tkp.com.tw



NOTE :

- * Material : UL 94V-0(Lead Free)
- * Standard Color : Black
- * Electrical rating : UL 125V 1A , AC/DC
CSA 250V 1A , AC/DC
- * Accepts BHT(LF) , BHT-R(LF) terminal
- * Mate with BH11(LF), BH1L(LF) series header
- * 1-40 circuits available

Circuits	Part No.	Dim. A	Dim. B	Circuits	Part No.	Dim. A	Dim. B
1	BH1-1x1(LF)	—	2.54	21	BH1-1x21(LF)	50.80	53.34
2	BH1-1x2(LF)	2.54	5.08	22	BH1-1x22(LF)	53.34	55.88
3	BH1-1x3(LF)	5.08	7.62	23	BH1-1x23(LF)	55.88	58.42
4	BH1-1x4(LF)	7.62	10.16	24	BH1-1x24(LF)	58.42	60.96
5	BH1-1x5(LF)	10.16	12.70	25	BH1-1x25(LF)	60.96	63.50
6	BH1-1x6(LF)	12.70	15.24	26	BH1-1x26(LF)	63.50	66.04
7	BH1-1x7(LF)	15.24	17.78	27	BH1-1x27(LF)	66.04	68.58
8	BH1-1x8(LF)	17.78	20.32	28	BH1-1x28(LF)	68.58	71.12
9	BH1-1x9(LF)	20.32	22.86	29	BH1-1x29(LF)	71.12	73.66
10	BH1-1x10(LF)	22.86	25.40	30	BH1-1x30(LF)	73.66	76.20
11	BH1-1x11(LF)	25.40	27.94	31	BH1-1x31(LF)	76.20	78.74
12	BH1-1x12(LF)	27.94	30.48	32	BH1-1x32(LF)	78.74	81.28
13	BH1-1x13(LF)	30.48	33.02	33	BH1-1x33(LF)	81.28	83.82
14	BH1-1x14(LF)	33.02	35.56	34	BH1-1x34(LF)	83.82	86.36
15	BH1-1x15(LF)	35.56	38.10	35	BH1-1x35(LF)	86.36	88.90
16	BH1-1x16(LF)	38.10	40.64	36	BH1-1x36(LF)	88.90	91.44
17	BH1-1x17(LF)	40.64	43.18	37	BH1-1x37(LF)	91.44	93.98
18	BH1-1x18(LF)	43.18	45.72	38	BH1-1x38(LF)	93.98	96.52
19	BH1-1x19(LF)	45.72	48.26	39	BH1-1x39(LF)	96.52	99.06
20	BH1-1x20(LF)	48.26	50.80	40	BH1-1x40(LF)	99.06	101.60



PART NO.	BH1-1xX(LF)			Part NO.	Material	Color/Finish	Remark	APPROVAL
TITLE	2.54mm Wire to Board							DRAWN: 廖艷云
THIRD ANGLE	SCALE	UNIT	SHEET NO	TOLERANCE	DATE	ODD NUMBERS	REV	CHECKED: 王忠
	2.5:1	mm	1/1	.X± 0.30 .XXX±0.10 .XX± 0.20 ANGLE±2°	2006.07.04	ENG950001	A0	APPROVED: 馮凌杰
	254-007		A254-001					