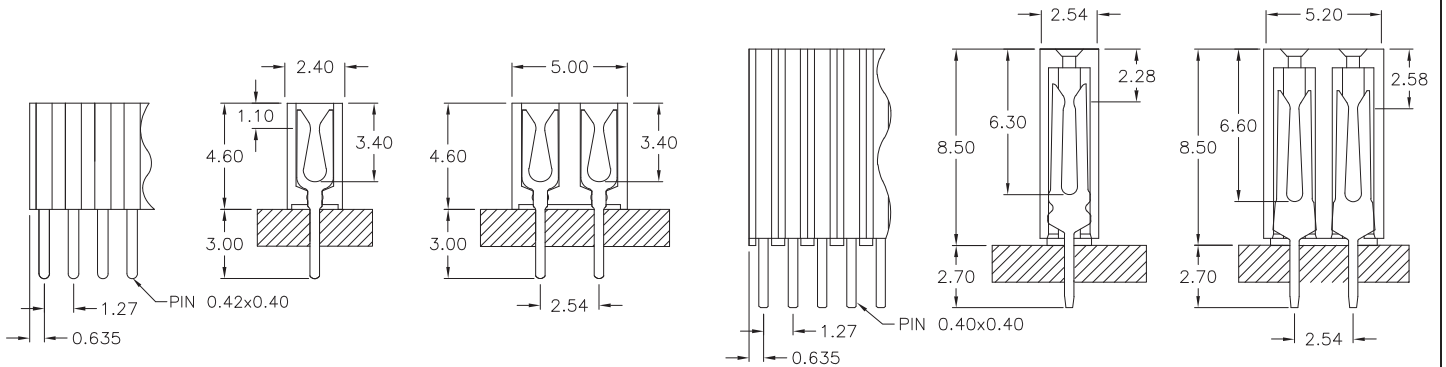
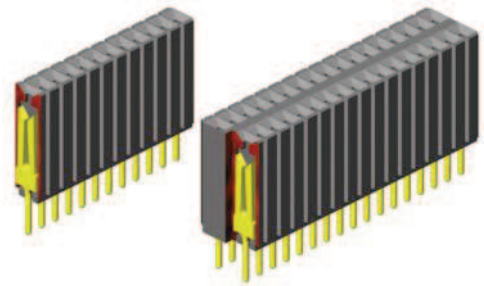
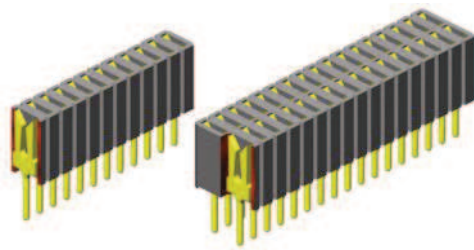


1.27mm pitch Female Header
 -THT- 1.27mm x 2.54mm dual row



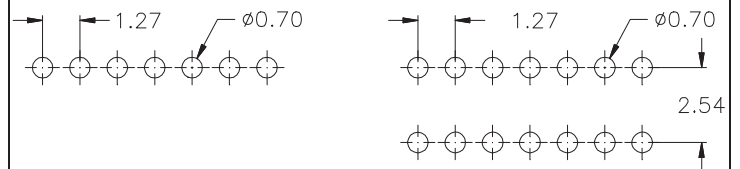
S 460

S 850

SPECIFICATIONS

Current rating	1 A
Insulator resistance	1000 MΩ min.
Contact resistance	20 mΩ max.
Withstanding voltage	500 V AC
Operating temperature	- 40°C to +105°C
Contact material (RoHS compliant)	Phosphor Bronze
Insulator material (RoHS compliant)	LCP UL 94 V-0

PCB Hole Layout



APPLICATION AND FEATURES

- Standard & low profile types
- Hi-rel fork contact design
- Mates with 0.46mm square or round Pin Header

How to order

BL x - xxx - S xxx - 55 /1

Rows	Nbr of contacts	Version (height above board)	Plating
1 = single row 2 = dual row	version 460 single row = 003 to 040 dual row = 006 to 080	460 = 4.60 mm	55 = gold Other platings on request
	version 850 single row = 003 to 035 dual row = 006 to 070	850 = 8.50 mm	